



IP67 **RoHS COMPLIANT**

FHS-TSTWL

Wet Location Test Switch

- Stainless Steel
- IP67 (Switch side only)

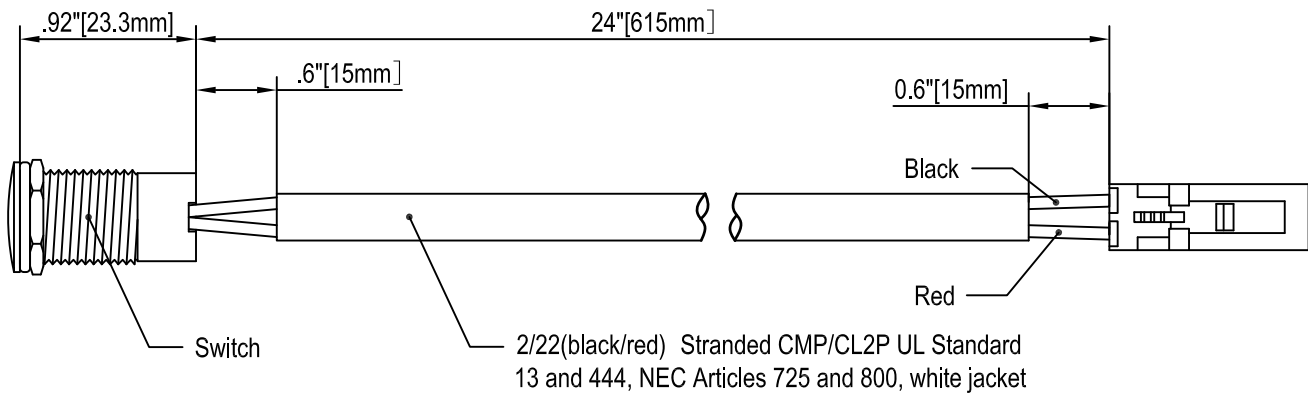
This Test Switch Will Operate The Following Fulham Emergency LED Drivers:

- FHS1-UNV-3.6L
- FHS2-UNV-36L
- FHS2-UNV-56S
- FHSAC1-UNV-40L
- FHSAC1-UNV-40C
- FHSAC1-UNV-40BLS
- FHSCP-UNV-6W-L-SD
- FHSCP-UNV-10P-L-SD
- FHSCP-UNV-10P-S-SD
- FHUPS1-UNV-25L-SD

General Specifications

LED Color	Red
Waterproof	IP67 (Switch side only)
Ambient Operating Temperature Rang	-25°C to 55°C (-13°F to 131°F)
Mechanical Life	>100.0000 Cycles
RoHS	Yes
Warranty	5 Years

Mechanical Drawings



Overall Switch Dimension

