



FHN30



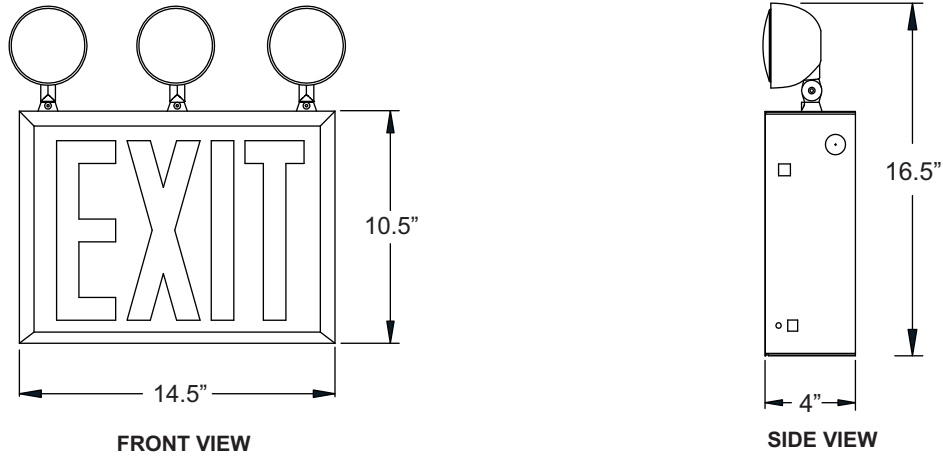
New York Code Steel Combo Emergency Exit/Light

- Sealed push-to-test switch
- LED charge indicator
- Sealed AC ready light
- Heavy duty 20 gauge construction
- Maintenance free, 6V sealed lead-acid battery
- Universal KO chevrons
- Dual voltage 120V/277V
- White powder coat finish
- Single face red letters
- Three Fully Adjustable Glare-Free Heads, Constructed of Impact Resistant Thermoplastic

General Specifications

Input Voltage	120/277VAC
Input Current (120V)	106mA
Input Current (277V)	45mA
Input Power (120V)	11.4W
Input Power (277V)	11.4W
Operating Frequency	60Hz
Operating Ambient Temperature Range (Ta)	20° to 30°C / 68°F to 86°F
Overall Size	14.5" L x 10.5" H
Emergency Operation	90 minutes
Compliance	UL 924 Listed Damp Location
Warranty	5 years from the date of manufacture

Mechanical Data



Part Number Matrix

FHN30