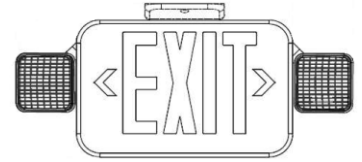




GENERAL INSTALLATION GUIDELINES FOR COMBINATION EMERGENCY EXIT LIGHT (FHEC35)



When using electrical equipment, including this emergency exit product, basic safety precautions should be followed at all times, including but not limited to the following:

PLEASE READ CAREFULLY AND FOLLOW ALL INSTRUCTIONS FOR YOUR SAFETY

1. All servicing should be performed by qualified service personnel.
2. All unused wires must be insulated to prevent shorting.
3. All electrical connections must be in accordance with local codes, ordinances and the National Electric code.
4. Do not use outdoors.
5. Do not mount near gas or electric heater.
6. Use caution when handling batteries. Avoid possible shorting.
7. Equipment should be mounted in location and at heights where it will not be readily subjected to tampering by unauthorized personnel.
8. The use of accessory equipment will void product listing and warranty and may cause unsafe condition.
9. Do not use this equipment for anything other than the intended use.

SAVE THESE INSTRUCTIONS

- Disconnect AC power before servicing and installation
- When relamping, only use lamps specified in the exit sign.
- Using other lamp types may result in transformer damage or unsafe conditions.
- Battery in this unit may not be fully charged.
- After electricity is hooked up to the unit, let the battery charge up for at least 24 hours. Then normal operation of this unit should take place.

Ceiling Mounting

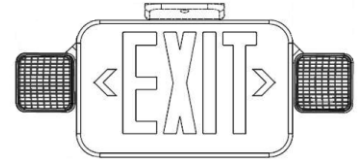
- 1) Connect 20" jumper leads to A.C. input leads in J-box, fasten J-box bracket to J- box.
Use Black wire for 120 volt, Red wire for 277 volt, White wire is common.
- 2) Fasten canopy to J-box bracket.
- 3) Snap housing to canopy.
- 4) Connect and trim input leads to socket leads at upper left corner of housing wire channel.
- 5) Connect battery before AC power can be provided to the unit.
- 6) Secure face plate to housing. Remove the proper arrow as required.

Back Mounting

- 1) Connect 20" jumper leads to A.C. input leads in J-box. Use Black wire for 120 volt, Red wire for 277 volt, White wire is common.
- 2) Remove necessary knockouts and fasten back cover to J-box.
- 3) Snap housing to back cover.
- 4) Connect and trim input leads to socket leads at upper left corner of housing wire channel.
- 5) Connect battery before AC power can be provided to the unit.
- 6) Secure face plate to housing. Remove the proper arrow as required



GENERAL INSTALLATION GUIDELINES FOR COMBINATION EMERGENCY EXIT LIGHT (FHEC35)



WARNING:
Unused wires must be capped using enclosed wire nuts.



Remove the front cover



Remove the back cover

WIRING DIAGRAM:

Note: Any unused leads to be properly covered

DIAGRAM 1

(One battery regular unit)

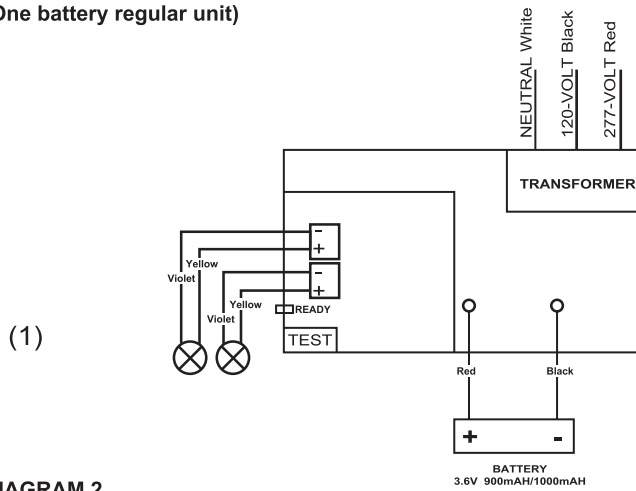


DIAGRAM 2

(Two batteries remote capable unit)

