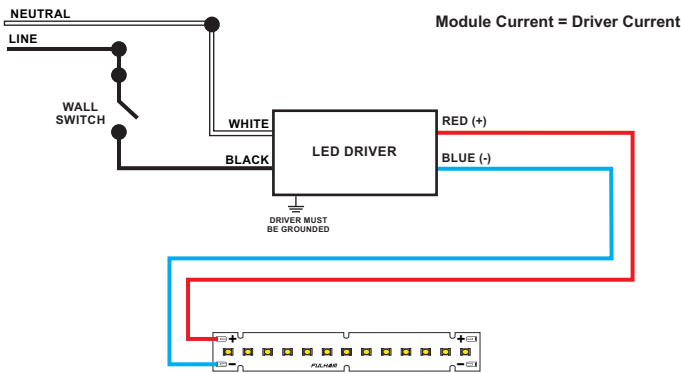
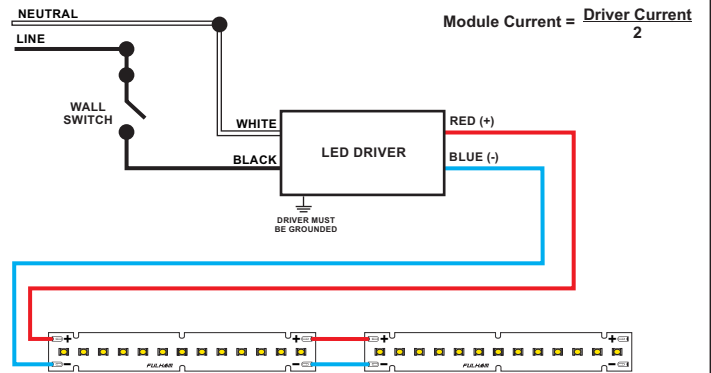


DC MODULE WIRING DIAGRAMS

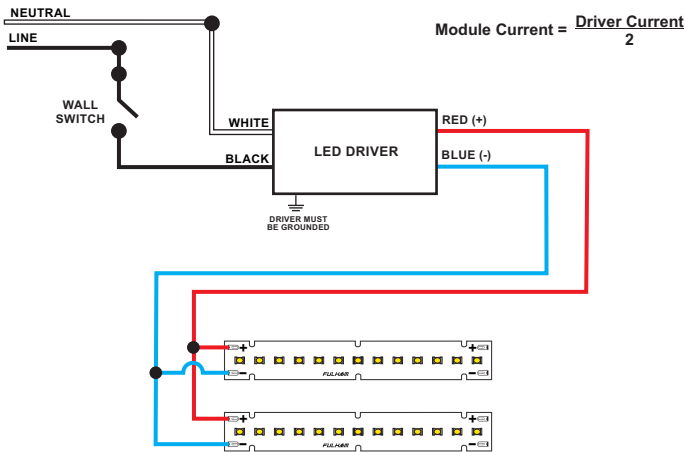
1 One (1) Module



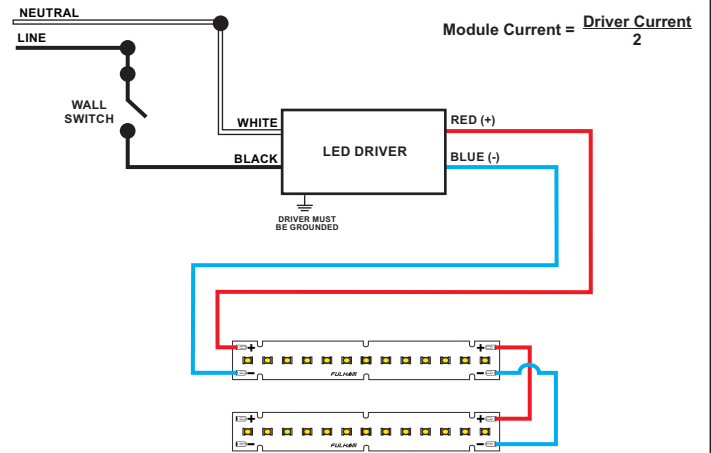
2 Parallel, Two (2) Modules In Line



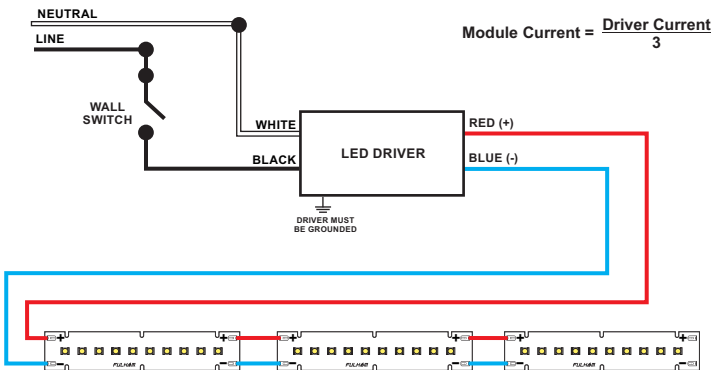
3 Parallel, Two (2) Modules Side By Side



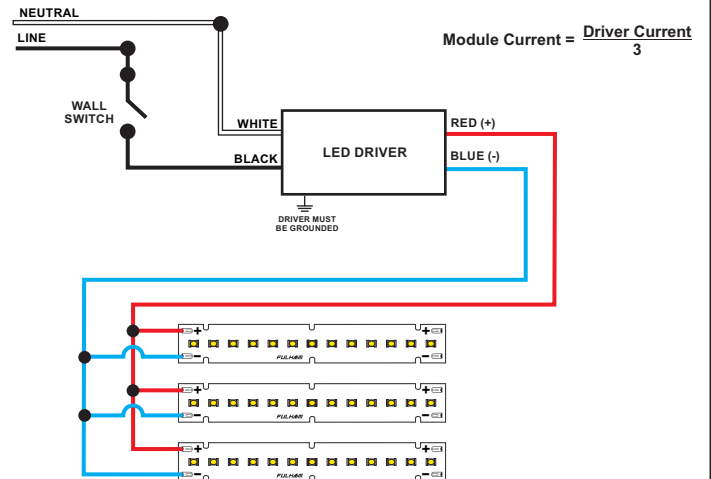
4 Parallel, Two (2) Modules Side By Side



5 Parallel, Three (3) Modules In Line

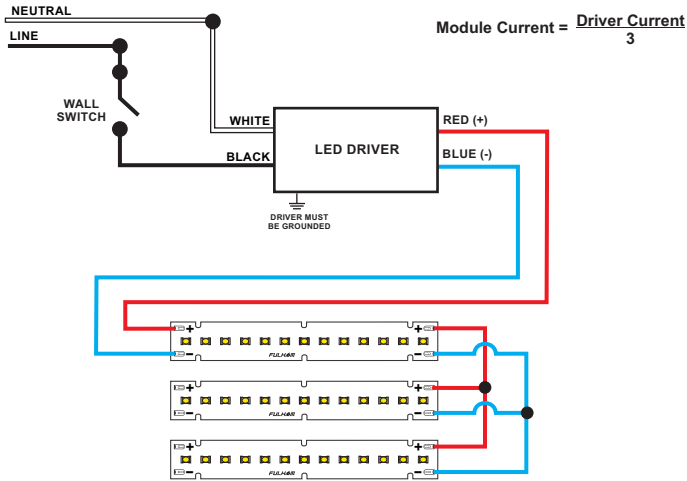


6 Parallel, Three (3) Modules Side By Side

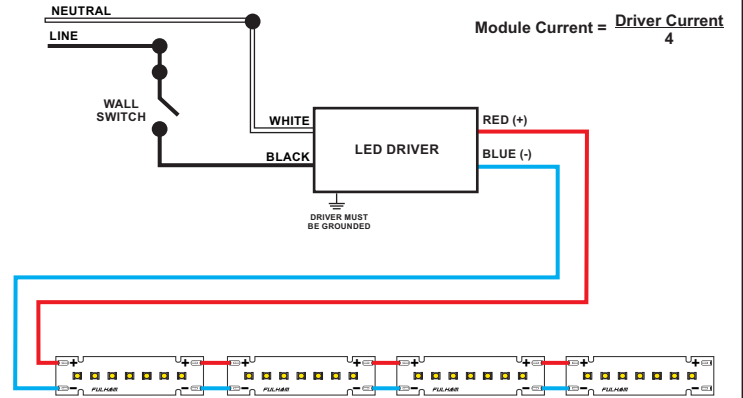


DC MODULE WIRING DIAGRAMS

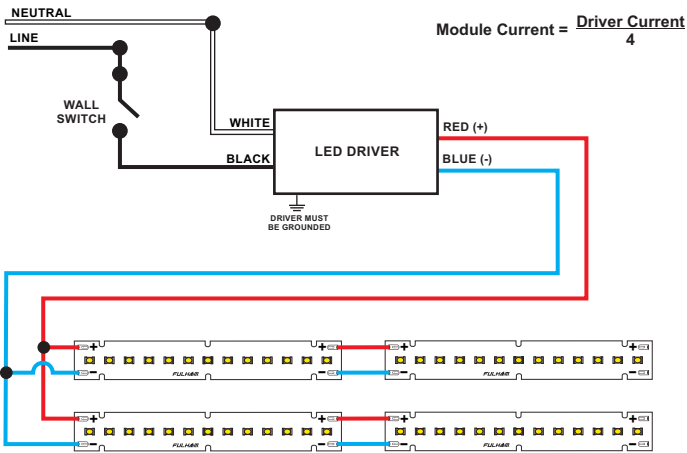
7 Parallel, Three (3) Modules Side By Side



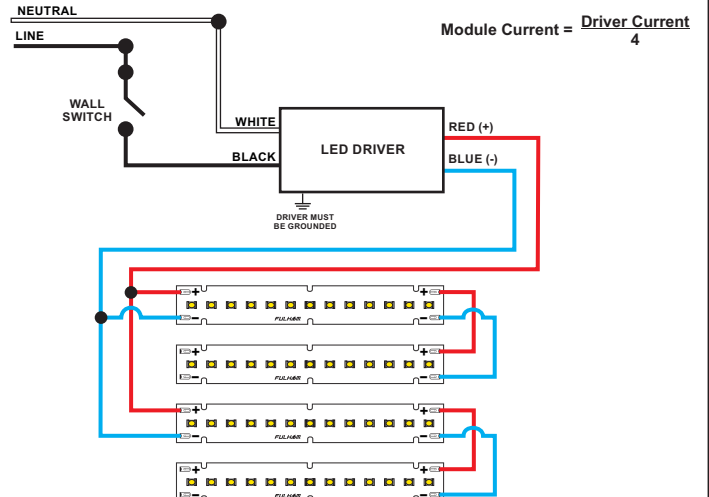
8 Parallel, Four (4) Modules In Line



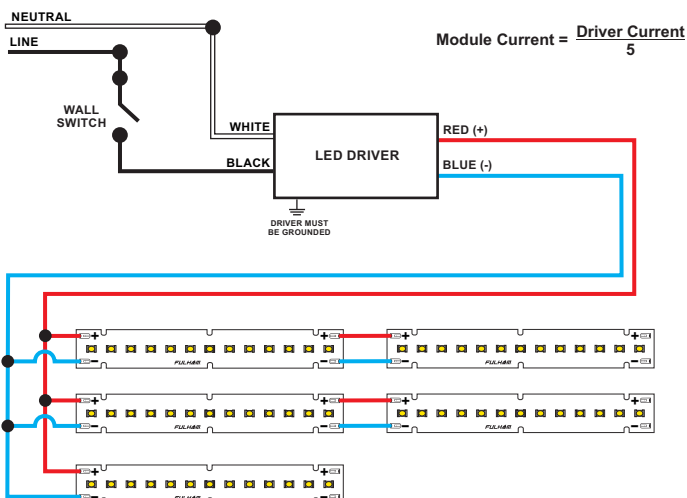
9 Parallel, Four (4) Modules



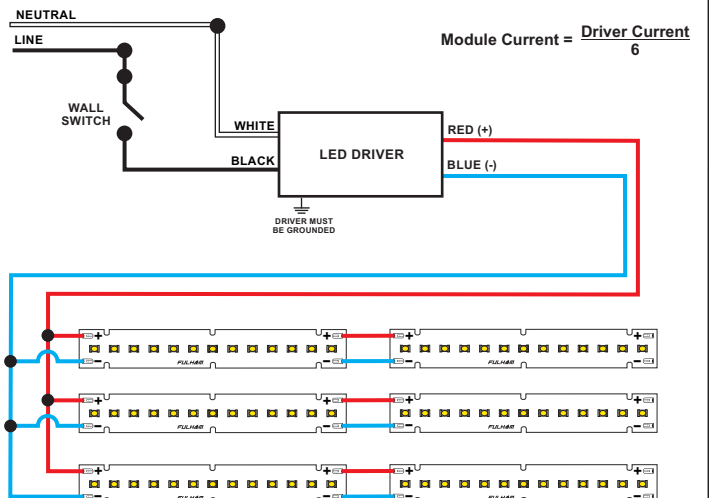
10 Parallel, Four (4) Modules Side By Side



11 Parallel, Five (5) Modules

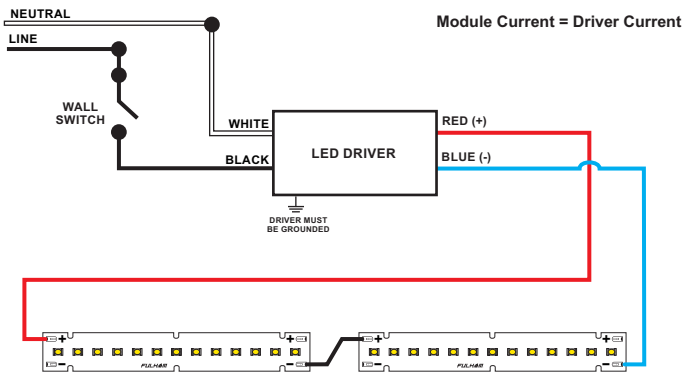


12 Parallel, Six (6) Modules

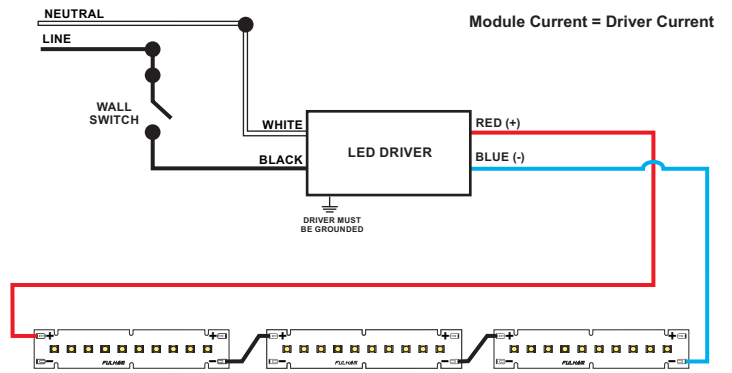


DC MODULE WIRING DIAGRAMS

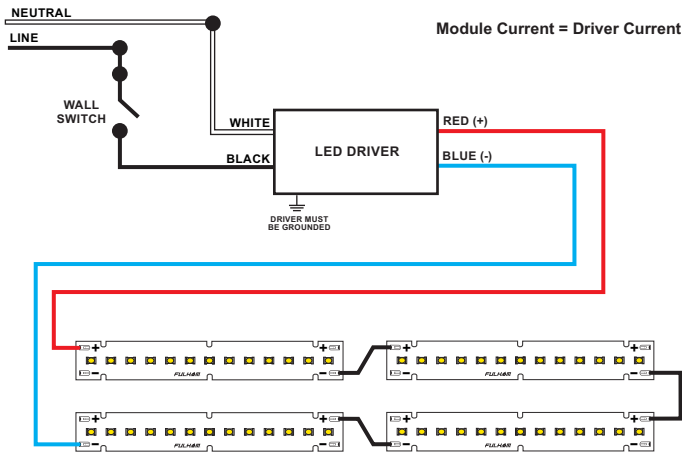
13 Series, Two (2) Modules



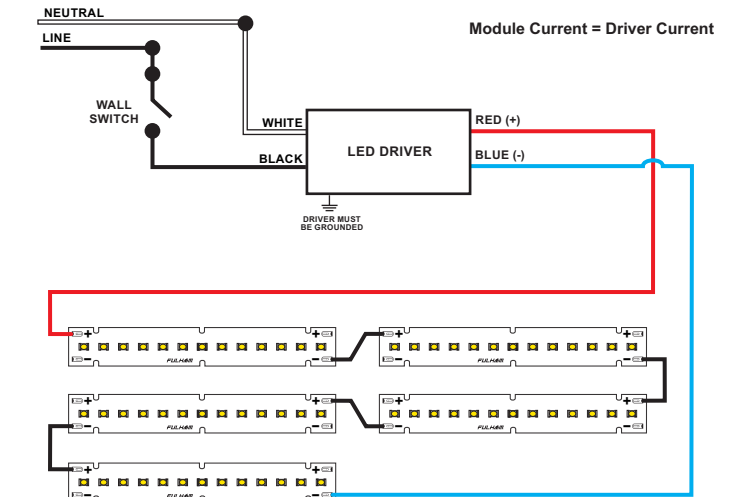
14 Series, Three (3) Modules



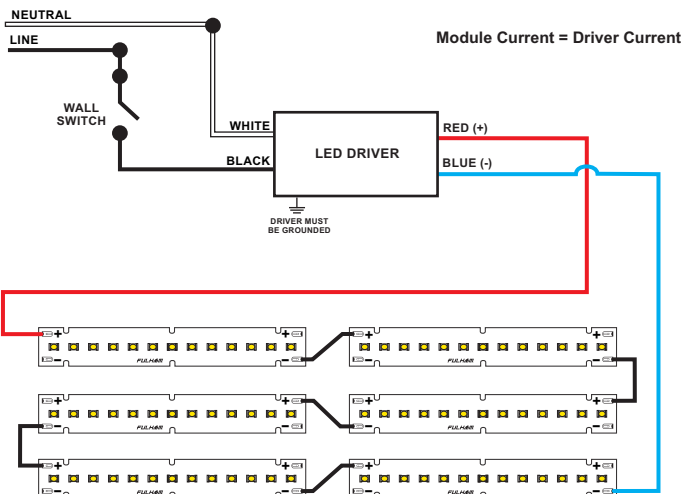
15 Series, Four (4) Modules



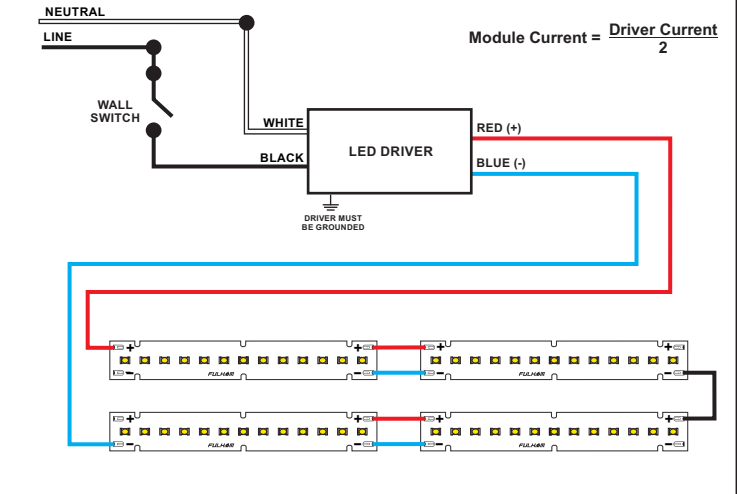
16 Series, Five (5) Modules



17 Series, Six (6) Modules

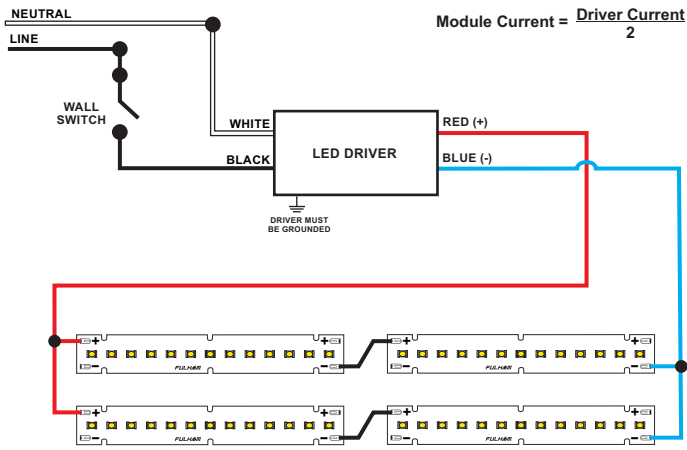


18 Series / Parallel, Four (4) Modules

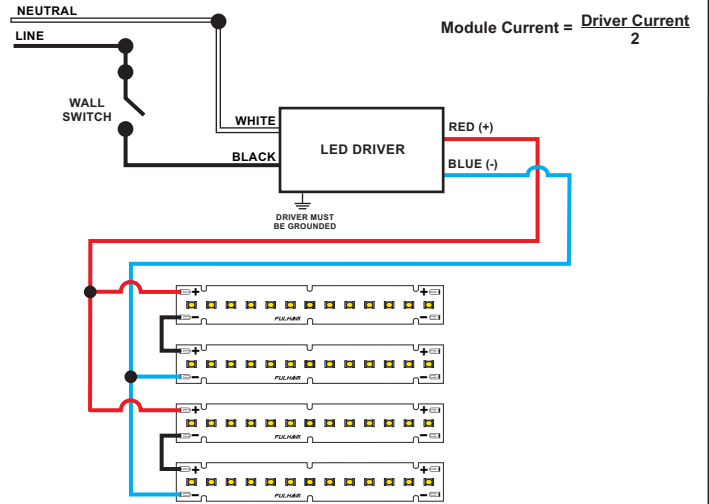


DC MODULE WIRING DIAGRAMS

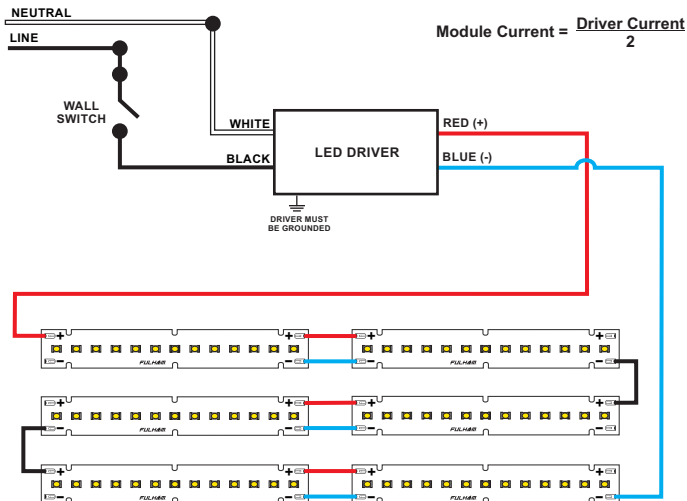
19 Series / Parallel, Four (4) Modules



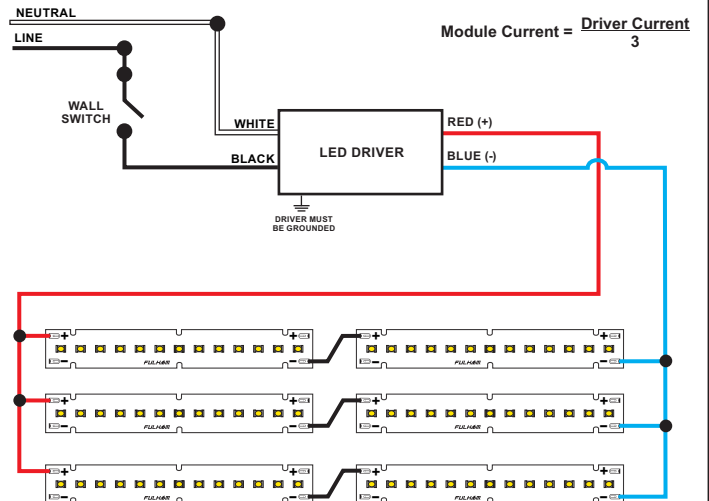
20 Series / Parallel, Four (4) Modules Side By Side



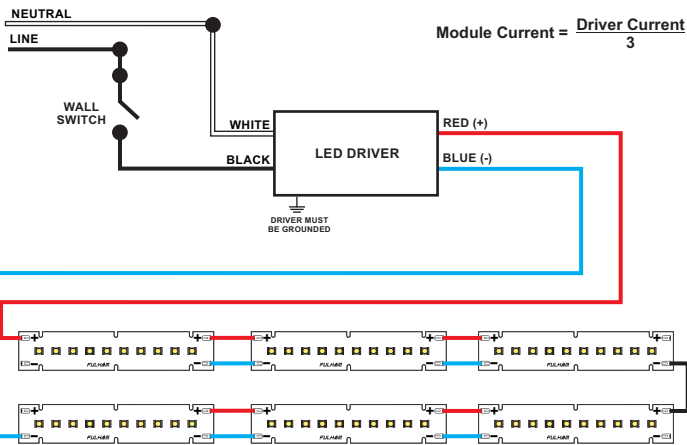
21 Series / Parallel, Six (6) Modules



22 Series / Parallel, Six (6) Modules



23 Series / Parallel, Six (6) Modules



24 Series / Parallel, Six (6) Modules

