

## SPECIFICATION SHEET : CWH5-120-L

This Is An Original Product From Fulham Co., Inc

**Description : WorkHorse Series Versatile, Solid State Electronic Ballast. Small Case Size, High Power Factor, Light Weight, Available In 120/230/277V 50/60 Hz.**

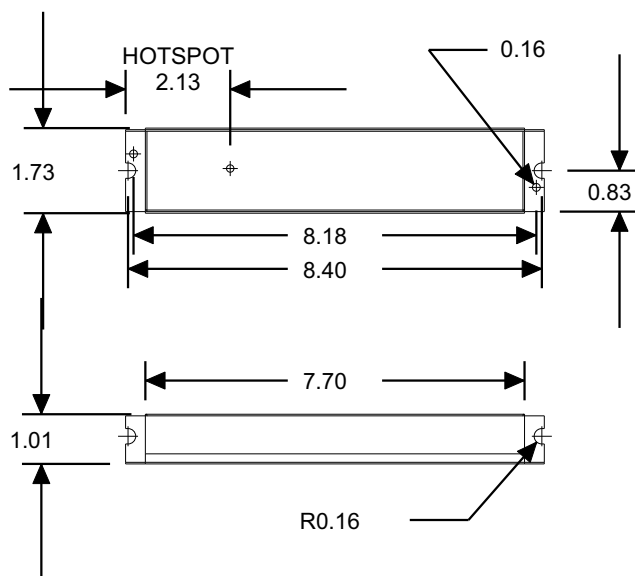
**This Ballast Will Operate Following Lamps.**

**REFER TO LAMP WATTS/TYPE**

### ELECTRICAL DATA

INPUT VOLT: 120V ± 10%, 50/60Hz					
LAMP WATTS/TYPE	LAMPS OPERATED	INPUT WATTS	LINE CURRENT	BALLAST FACTOR	EFFICACY FACTOR
F32T8	3	106	0.93	1.26	1.19
F32T8	4	127	1.13	1.11	0.87
F58T8	2	110	0.97	1.08	0.98
F18T8	2	41	0.37	1.16	2.82
F15T8	3	50	0.44	1.10	2.21
F15T8	4	60	0.53	0.98	1.64
POWER FACTOR	> 0.9				
THD	< 32 %				
EMI/RFI COMPLIANCE	FCC PART 18-A				
SOUND RATING	" A "				
BALLAST TYPE	INSTANT START				
VOLTAGE TRANSIENTS	ANSI C82.11 - 1993				
INPUT/PROTECTION	FUSE				
OUTPUT/PROTECTION	-				
MIN. OPERATING TEMP	- 30 °C ( - 20 °F )				
MAX. CASE TEMP	70 °C ( 158 °F )				
ENERGY STAR 4.0	-				
APPROVALS/CLASS	UL /cUL LISTED, CLASS " P ", 1 OUTDOOR				

### MECHANICAL DATA



Where : L = Length, W = Width, H = Height

### WIRING DIAGRAMS

WIRE	BLACK	WHITE	RED	BLUE	YELLOW	BROWN
LENGTH - INCHES	18 ± 1"	18 ± 1"	36 ± 1"	-	36 ± 1"	-

FOR WIRING DIAGRAM,  
PLEASE REFER TO FULHAM'S CATALOG

**NOTE : This Ballast Must Be Grounded**

Fulham extends a limited warranty only to the original purchaser or to the first user for a period of 5 years from the date of manufacture when properly installed and operated under normal conditions of use. For complete terms and conditions, please reference the Fulham product catalog ([www.fulham.com](http://www.fulham.com))  
**Due to a program of continuous improvement, Fulham reserves the right to make modifications or variations in design or construction to the equipment described.**

## SPECIFICATION SHEET : CWH5-120-L

This Is An Original Product From Fulham Co., Inc

**Description : WorkHorse Series Versatile, Solid State Electronic Ballast. Small Case Size, High Power Factor, Light Weight, Available In 120/230/277V 50/60 Hz.**

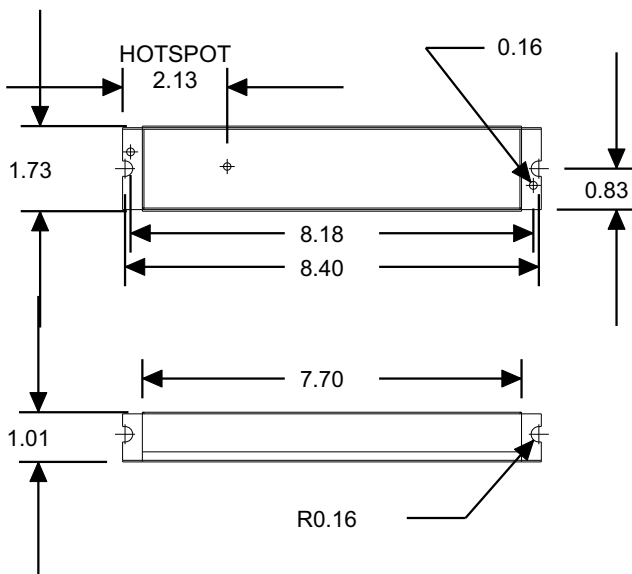
**This Ballast Will Operate Following Lamps.**

**REFER TO LAMP WATTS/TYPE**

### ELECTRICAL DATA

INPUT VOLT: 120V ± 10%, 50/60Hz					
LAMP WATTS/TYPE	LAMPS OPERATED	INPUT WATTS	LINE CURRENT	BALLAST FACTOR	EFFICACY FACTOR
F96T12HO/SS 95W	1	63	0.56	0.60	0.96
F96T12HO 110W	1	72	0.63	0.57	0.80
F72T12HO	1	97	0.87	1.28	1.31
F40T12	2	94	0.84	1.43	1.52
F72T8HO	1	69	0.61	0.95	1.37
F60T12	1	55	0.49	1.20	2.20
POWER FACTOR	> 0.9				
THD	< 32 %				
EMI/RFI COMPLIANCE	FCC PART 18-A				
SOUND RATING	" A "				
BALLAST TYPE	INSTANT START				
VOLTAGE TRANSIENTS	ANSI C82.11 - 1993				
INPUT/PROTECTION	FUSE				
OUTPUT/PROTECTION	-				
MIN. OPERATING TEMP	- 30 °C ( - 20 °F )				
MAX. CASE TEMP	70 °C ( 158 °F )				
ENERGY STAR 4.0	-				
APPROVALS/CLASS	UL /cUL LISTED, CLASS " P ", 1 OUTDOOR				

### MECHANICAL DATA



Where : L = Length, W = Width, H = Height

### WIRING DIAGRAMS

WIRE	BLACK	WHITE	RED	BLUE	YELLOW	BROWN
LENGTH - INCHES	18 ± 1"	18 ± 1"	36 ± 1"	-	36 ± 1"	-

FOR WIRING DIAGRAM,  
PLEASE REFER TO FULHAM'S CATALOG

NOTE : This Ballast Must Be Grounded

Fulham extends a limited warranty only to the original purchaser or to the first user for a period of 5 years from the date of manufacture when properly installed and operated under normal conditions of use. For complete terms and conditions, please reference the Fulham product catalog ([www.fulham.com](http://www.fulham.com))  
**Due to a program of continuous improvement, Fulham reserves the right to make modifications or variations in design or construction to the equipment described.**

## SPECIFICATION SHEET : CWH5-120-L

This Is An Original Product From Fulham Co., Inc

**Description : WorkHorse Series Versatile, Solid State Electronic Ballast. Small Case Size, High Power Factor, Light Weight, Available In 120/230/277V 50/60 Hz.**

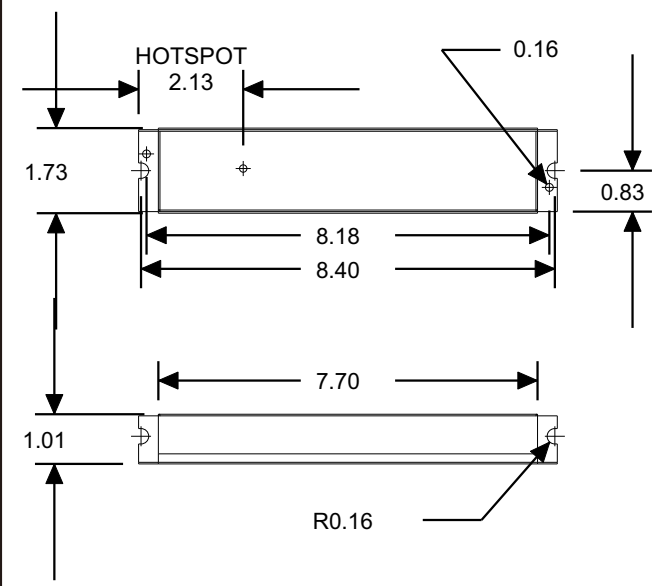
**This Ballast Will Operate Following Lamps.**

**REFER TO LAMP WATTS/TYPE**

### ELECTRICAL DATA

INPUT VOLT: 120V ± 10%, 50/60Hz					
LAMP WATTS/TYPE	LAMPS OPERATED	INPUT WATTS	LINE CURRENT	BALLAST FACTOR	EFFICACY FACTOR
F96T12HO 110W	1	125	1.10	1.25	1.00
F96T12HO 95W	1	103	0.92	1.28	1.25
F25T8	3	85	0.75	1.33	1.57
F18T12HO	1	31	0.27	1.40	4.53
POWER FACTOR			> 0.9		
THD			< 32 %		
EMI/RFI COMPLIANCE			FCC PART 18-A		
SOUND RATING			" A "		
BALLAST TYPE			INSTANT START		
VOLTAGE TRANSIENTS			ANSI C82.11 - 1993		
INPUT/PROTECTION			FUSE		
OUTPUT/PROTECTION			-		
MIN. OPERATING TEMP			- 30 °C ( - 20 °F )		
MAX. CASE TEMP			70 °C ( 158 °F )		
ENERGY STAR 4.0			-		
APPROVALS/CLASS			UL /cUL LISTED, CLASS " P ", 1 OUTDOOR		

### MECHANICAL DATA



Where : L = Length, W = Width, H = Height

### WIRING DIAGRAMS

WIRE	BLACK	WHITE	RED	BLUE	YELLOW	BROWN
LENGTH - INCHES	18 ± 1"	18 ± 1"	36 ± 1"	-	36 ± 1"	-

FOR WIRING DIAGRAM,  
PLEASE REFER TO FULHAM'S CATALOG

**NOTE : This Ballast Must Be Grounded**

Fulham extends a limited warranty only to the original purchaser or to the first user for a period of 5 years from the date of manufacture when properly installed and operated under normal conditions of use. For complete terms and conditions, please reference the Fulham product catalog ([www.fulham.com](http://www.fulham.com))  
**Due to a program of continuous improvement, Fulham reserves the right to make modifications or variations in design or construction to the equipment described.**