



CTBRCB02JM02

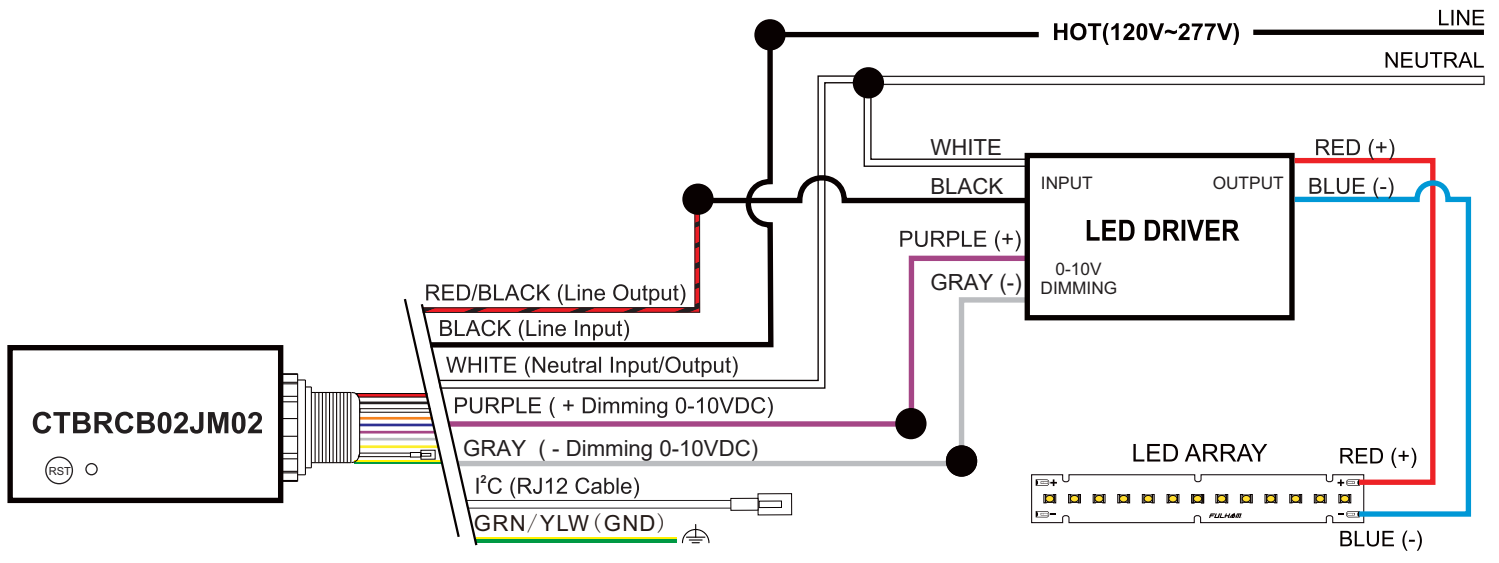
INSTALLATION INSTRUCTIONS



NOTE:

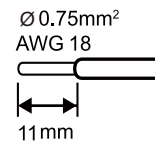
1. Driver has two (2) mounting tabs with a round hole in each.
2. Fasten a screw through the mounting tab if mounted on a flat surface.

WIRING DIAGRAM



INPUT SIDE	LENGTH
BLACK	12.4" [315mm]
WHITE	12.4" [315mm]

OUTPUT SIDE	LENGTH
RED	12.4" [315mm]
BLUE	12.4" [315mm]
PURPLE	12.4" [315mm]
GRAY	12.4" [315mm]
RJ12	17.3" [440mm]
GRN/YLW	12.4" [315mm]



NOTE:

1. The unit must be installed by a licensed electrician.