

Discontinued
Contact Fulham for availability. Not for use in new designs.



WP03 Induction Wall Pack Series



The **WP03 Induction Wall Pack Series** can be used in a variety of wall mount applications including warehouse facilities, shipping and receiving areas, commercial buildings, area lighting, and city halls. Optimized for heights of 6ft to 10ft. This reliable induction system operates well in cold temperatures. WP03 provides uniformity, reduced on-site glare compare to HID and effective security light levels. The long life and superior lumen maintenance of Induction significantly reduces maintenance costs and provides a significant reduction in the total cost of ownership.

APPLICATION -

- Wall Mounted
- Site Lighting
- Area Lighting
- Warehouse Facilities
- Shipping & Receiving Areas
- Intended use for Replacements of HID Wall Mounted Luminaire

- Industrial Plants
- Commercial Buildings
- Parks
- Plazas
- City Halls

CONSTRUCTION -

- Die Cast Aluminum Housing
- Corrosion Resistant
- Low Profile Design
- Standard Powder Coated Finish: Dark Bronze

- Heat and UV Resistant Prismatic Polycarbonate Lens
- Gas-tight Silicon Rubber Seal
- Vertical Wall Mount

ELECTRICAL -

- Universal Voltage (120V – 277V)
- High Power Factor (>.95)
- Ambient Temperature Rating: -20°C to 40°C
- Input Frequency: 50/60 Hz
- Operating Frequency: 250 kHz

- Generator Type: Class P Type 1 outdoor
- THD %: < 10%
- Pre-Wired Output Connector (Plug and Play)
- Constant Wattage Output With Less Than 3% Variance

LAMP TYPE/WATTAGES -

- Tubular Induction Lamps Available: 40W, 55W
- Wide Range of Color Temperature Options 2700K – 6500K¹
- Low Lumen Depreciation, >70% Lumen Maintenance at 60,000 Hours
- CRI >80

- Standard Kelvin Temperature is 5000K: Provides a Cooler Color Temperature
- Pre-Wired Input Connector

COMPLIANCE -

- UL listed – UL 1598 (E363375)
- cUL listed – UL 1598 (E363375)
- FCC Part 18-A

- Flush Wall Mounted IP54: Suitable for Wet Location
- Surge Immunity – IEC 61000-4-5: Class 4

DIMMING INDUCTION GENERATOR SPECIFICATIONS -

- Dimming interface is electrically isolated for safety and reliability
- Dimmable Induction generator can work as a regular generator to drive the lamp at full range when the 0-10V interface is not connected.
- The output wattage is about 50% at 0-3VDC.
- The output wattage is dimmed from 100% to 50% at the 9-3VDC.
- Dimming wires: Violet (+), Gray (-)
- The output wattage is 100% at 9-10VDC.

- The output wattage is at the 100% range when the system is power ON. If the system is set on a dim level then it will dim within 30 seconds.
- Shorting the two dimming wires (Violet and Gray) sets the system to the lowest dim level of 50%, acting as a bi-level dimming system.

OPTICS -

- Specular Reflector: Provides Uniformity
- Polycarbonate, Glare Reduction Lens

- Type IV Distribution

WARRANTY -

- Five-year Limited Warranty

PROFILE INDUCTION GENERATOR

TUBULAR INDUCTION
40W - 55W

MOUNTING HEIGHT
6' TO 10'

DIMMING WATTAGES
TUBULAR 40W-55W



Actual performance may differ as a result of end-user environment and application.
Note: Specifications subject to change without notice.

NOTE:
1. Consult with your sales representative for availability.
2. Dimming Generator, No Sensor included

ORDERING OPTIONS

Lead times will vary depending on options selected. Consult with your sales representative.

TYPE	SERIES	LAMP	WATTAGE	LENS	ORDERING OPTIONS
WP = WALL PACK	03 = 03 SERIES	T = TUBULAR	040 = 40W 055 = 55W	P = POLYCARBONATE	M = 0-10V Dimming ³ BLANK = 5000K 27 = 2700K 30 = 3000K 40 = 4000K 60 = 6000K 65 = 6500K

Example: WP-03-T040-P (Wall Pack 03 series Tubular 40W lamp with Polycarbonate lens)

ACCESSORIES

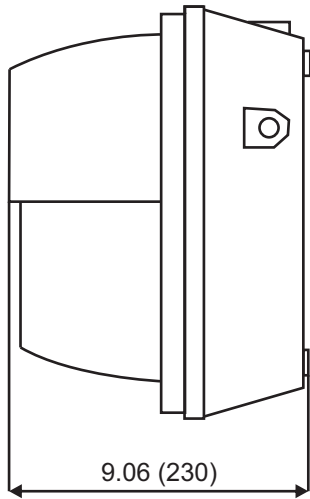
DESCRIPTION:	PART NUMBERS:
STEP DOWN TRANSFORMER	
35W-100W	HH-ILS-SD1-125VA

Discontinued
Contact Fulham for availability. Not for use in new designs.

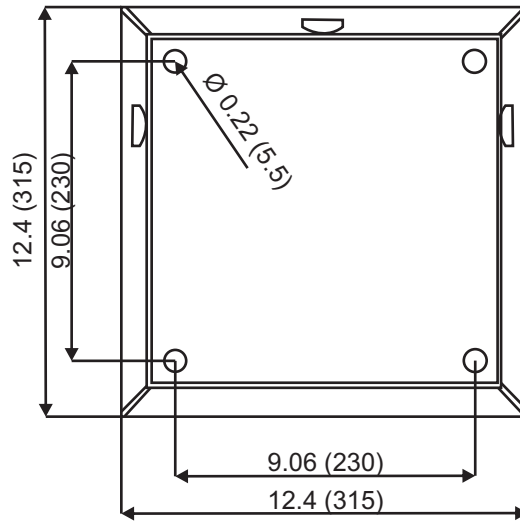
ELECTRICAL CHARACTERISTICS

MODEL NO.	RATED WATTAGE (W)	INPUT POWER (W)	INPUT CURRENT 120V - 277V (AMP)	LAMP RATED INITIAL LUMINANCE (LM)	EFFICACY (LM/W)	LUMEN MAINTENANCE	COLOR RENDERING INDEX	CCT (KELVIN)
WP03-T040-P/M	40	42	0.35 - 0.15	3000	70	70%-75%	> 80	5000
WP03-T055-P/M	55	58	0.48 - 0.21	4380	70			

Mechanical Data



SIDE VIEW



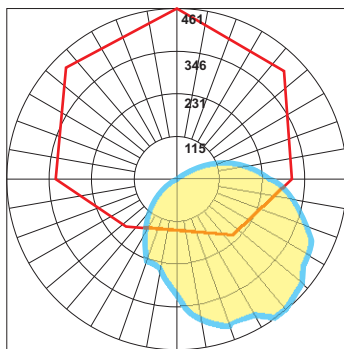
**TOP VIEW
(VERTICAL WALL MOUNT)**

All dimensions are shown in inches (millimeters) unless otherwise noted.

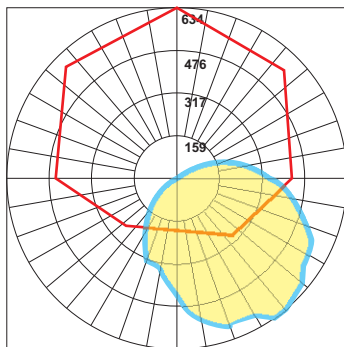
Photometric Data

IES files available upon request.

POLAR GRAPH

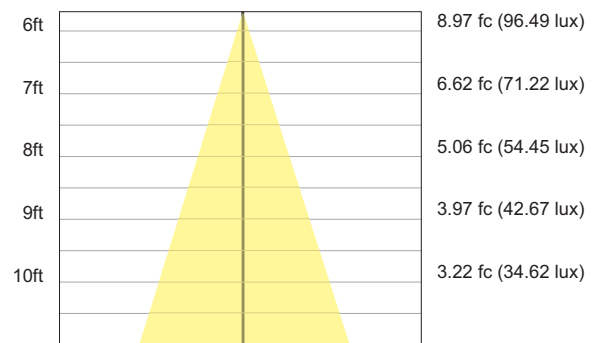


WP03-T040-P/M

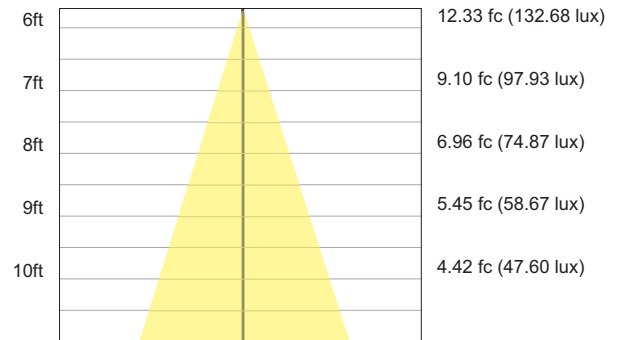


WP03-T055-P/M

ILLUMINANCE AT DISTANCE



WP03-T040-P/M



WP03-T055-P/M

Located At Horizontal Angle = 90, Vertical Angle = 35
 # 1 - Vertical Plane Through Horizontal Angles (90 - 270) (Through Max. Cd.)
 # 2 - Horizontal Cone Through Vertical Angle (35) (Through Max. Cd.)