

WP01 Induction Wall Pack Series



The **WP01 Induction Wall Pack Series** can be used in a variety of wall mount applications including warehouse facilities, shipping and receiving areas, commercial buildings, area lighting, and city halls. Optimize for heights of 8ft to 15ft. This reliable induction system operates well in cold temperatures. WP01 provides uniformity, vertical light distribution, reduced on-site glare compare to HID and effective security light levels. The long life and superior lumen maintenance of Induction significantly reduces maintenance costs and provides a significant reduction in the total cost of ownership.

APPLICATION -

- Wall Mounted
- Site Lighting
- Area Lighting
- Warehouse Facilities
- Shipping & Receiving Areas
- Intended use for Replacements of HID Wall Mounted Luminaire

- Industrial Plants
- Commercial Buildings
- Parks
- Plazas
- City Halls

CONSTRUCTION -

- Die Cast Aluminum Housing
- Corrosion Resistant
- Standard Powder Coated Finish: Dark Bronze

- Gas-tight Silicon Rubber Seal
- Vertical Wall Mount
- Prismatic Glass Lens

ELECTRICAL -

- Universal Voltage (120V – 277V)
- High Power Factor (>.95)
- Ambient Temperature Rating: -20°C to 40°C
- Input Frequency: 50/60 Hz
- CSA: 208V-347V

- Operating Frequency: 250 kHz
- Generator Type: Class P Type 1 outdoor
- THD %: < 10%
- Pre-Wired Output Connector (Plug and Play)
- Constant Wattage Output With Less Than 3% Variance

LAMP TYPE/WATTAGES -

- Tubular Induction Lamps Available: 40W, 55W, 70W, 80W, 100W
- Standard Kelvin Temperature is 5000K: Provides a Cooler Color Temperature
- Pre-Wired Input Connector (Plug and Play)
- CRI >80

- Wide Range of Color Temperature Options 2720K - 6500K¹ Available
- Low Lumen Depreciation, >70% Lumen Maintenance at 60,000 Hours

COMPLIANCE -

- UL listed – UL 1598 (E363375)
- cUL listed – UL 1598 (E363375)
- CSA listed¹: 70W, 80W, 100W

- Flush Wall Mounted IP54: Suitable for Wet Location
- Surge Immunity – IEC 61000-4-5: Class 4
- FCC Part 18-A

DIMMING INDUCTION GENERATOR SPECIFICATIONS -

- Dimming interface is electrically isolated for safety and reliability
- Dimmable Induction generator can work as a regular generator to drive the lamp at full range when the 0-10V interface is not connected.
- The output wattage is about 50% at 0-3VDC.
- The output wattage is dimmed from 100% to 50% at the 9-3VDC.
- Dimming wires: Violet (+), Gray (-)
- The output wattage is 100% at 9-10VDC.

- The output wattage is at the 100% range when the system is power ON. If the system is set on a dim level then it will dim within 30 seconds.
- Shorting the two dimming wires (Violet and Gray) sets the system to the lowest dim level of 50%, acting as a bi-level dimming system.

OPTICS -

- Specular Reflector: Uniformity and Vertical Light Distribution
- Glare Reduction Lens

- Glass Lens
- Type IV Distribution

WARRANTY -

- Five-year Limited Warranty

PROFILE INDUCTION GENERATOR

TUBULAR INDUCTION
40W – 100W

MOUNTING HEIGHT
8' TO 15'

DIMMING WATTAGES
TUBULAR 40W-100W



Actual performance may differ as a result of end-user environment and application.
Note: Specifications subject to change without notice.

NOTE:
1. Consult with your sales representative for availability.
2. Dimming Generator, No Sensor included

ORDERING OPTIONS

Lead times will vary depending on options selected. Consult with your sales representative.

TYPE	SERIES	LAMP	WATTAGE	LENS	ORDERING OPTIONS
WP = WALL PACK	01 = 01 SERIES	T = TUBULAR	040 = 40W 055 = 55W 070 = 70W 080 = 80W 100 = 100W	G = GLASS	M = 0-10V Dimming ² BLANK = 5000K 27 = 2700K 30 = 3000K 40 = 4000K 60 = 6000K 65 = 6500K J = CSA ¹

Example: WP-01-T040-G (Wall Pack 01 series Tubular 40W lamp with Glass lens)

ACCESSORIES

DESCRIPTION:	PART NUMBER:
STEP DOWN TRANSFORMER	
35W-100W	HH-ILS-SD1-125VA

Discontinued
Contact Fulham for availability. Not for use in new designs.

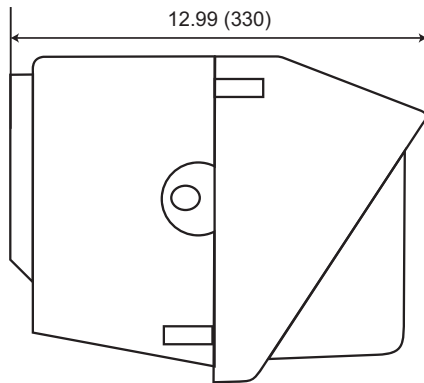
WP01 Induction Wall Pack Series

ELECTRICAL CHARACTERISTICS

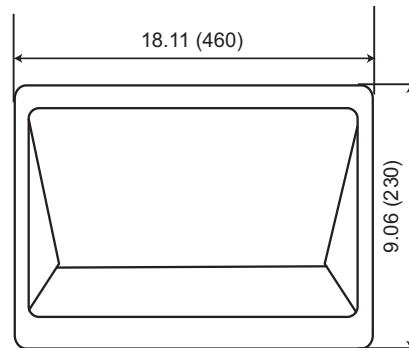
MODEL NO.	RATED WATTAGE (W)	INPUT POWER (W)	INPUT CURRENT 120V - 277V (AMP)	LAMP RATED INITIAL LUMINANCE (LM)	EFFICACY (LM/W)	LUMEN MAINTENANCE	COLOR RENDERING INDEX	CCT (KELVIN)
WP01-T040-G/M	40	42	0.35 - 0.15	3000	70	70%-75%	> 80	5000
WP01-T055-G/M	55	58	0.48 - 0.21	4380	70			
WP01-T070-G/M	70	74	0.62 - 0.27	5250	70			
WP01-T080-G/M	80	84	0.70 - 0.30	6000	70			
WP01-T100-G/M	100	105	0.88 - 0.38	8000	75			

Mechanical Data

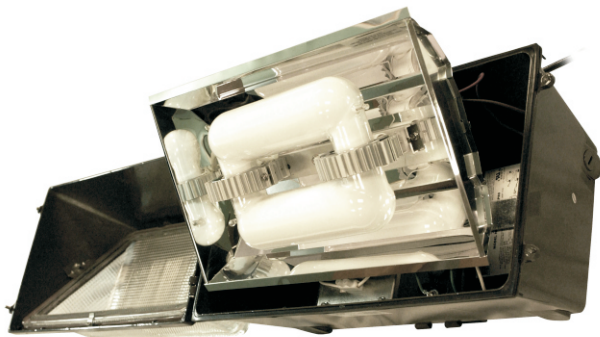
VERTICAL WALL MOUNT



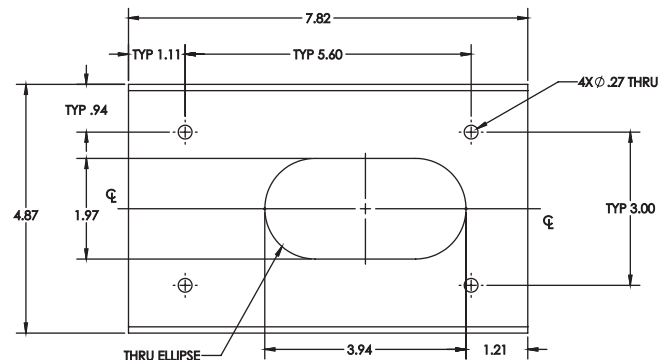
SIDE VIEW



FRONT VIEW



(Cord Length for WP01-B085-G : 11")
(Cord Length rest of WP01: 8")



VERTICAL WALL MOUNT

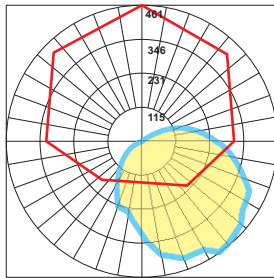
All dimensions are shown in inches (millimeters) unless otherwise noted.

WP01 Induction Wall Pack Series

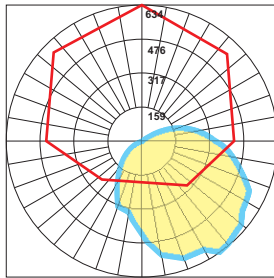
Photometric Data

IES files available upon request.

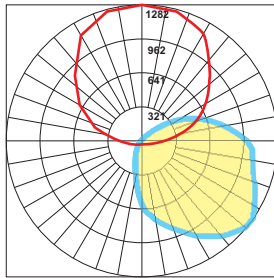
POLAR GRAPH



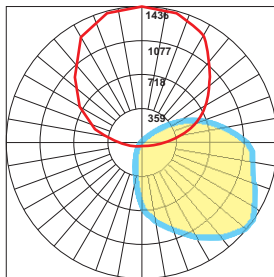
WP01-T040-G/M



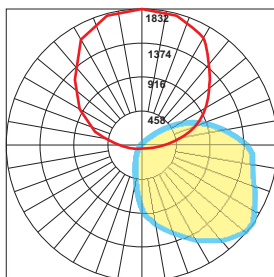
WP01-T055-G/M



WP01-T070-G/M

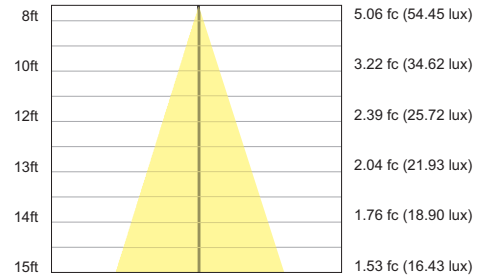


WP01-T080-G/M

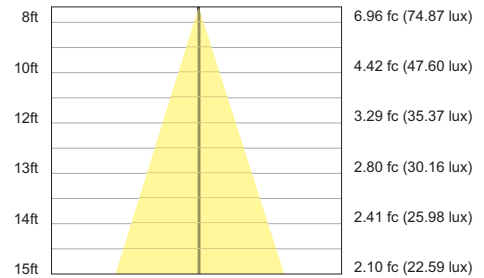


WP01-T100-G/M

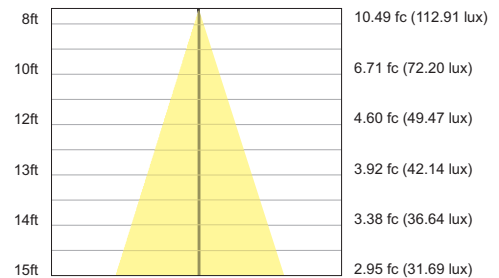
ILLUMINANCE AT DISTANCE



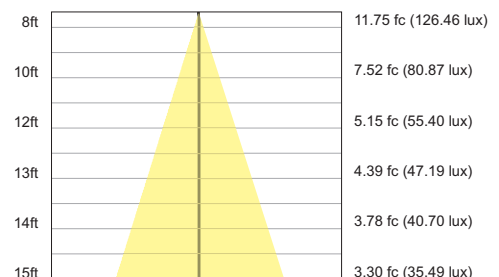
WP01-T040-G/M



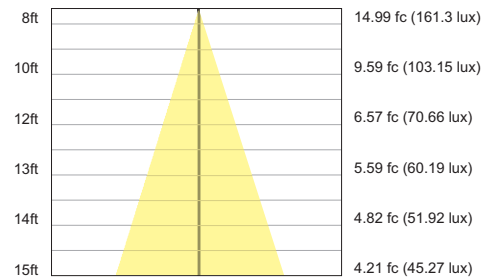
WP01-T055-G/M



WP01-T070-G/M



WP01-T080-G/M



WP01-T100-G/M

Located At Horizontal Angle = 90, Vertical Angle = 55
 # 1 - Vertical Plane Through Horizontal Angles (90 - 270) (Through Max. Cd.)
 # 2 - Horizontal Cone Through Vertical Angle (55) (Through Max. Cd.)