

Basic Collection

TUNNEL LIGHTERS

Discontinued
Contact Fulham for availability. Not for use in new designs.



TL02 Induction Tunnel Lighter Series



The **TL02 Induction Tunnel Lighter Series** can be used in a variety of ceiling or wall mount applications including warehouse facilities, factories, stadiums, highbay/low bay applications, exhibition halls, and tunnel applications. Optimized for heights of 15ft to 40ft. TL02 provides optimal light distribution with its anodized aluminum reflector and clear tempered glass lens. Its gas-tight silicon rubber seal makes it suitable for wet locations (IP65). This reliable induction system operates well in cold temperatures and reduces on-site glare compare to HID and effective security light levels. The long life and superior lumen maintenance of Induction significantly reduces maintenance costs and provides a significant reduction in the total cost of ownership.

APPLICATION -

- Stadiums
- Factories
- Warehouse Facilities
- Tunnels
- Exhibition Halls
- Intended use for Replacements of HID Ceiling or Wall Mounted Luminaries

- Airports
- Supermarkets
- High/Low Bay Applications
- Amusement Parks

CONSTRUCTION -

- Square Profile Aluminum Housing
- Standard Powder Coated Finish: White
- Clear Tempered Glass Lens
- Die Cast Generator, Externally Mounted for Thermal Management

- Easy Maintenance with Front Glass Lens
- Gas-tight Silicon Rubber Seal
- Horizontal Mount with "U" Bracket (Optional: "L" Bracket)

ELECTRICAL -

- Universal Voltage (120V – 277V)
- High Power Factor (>.95)
- Ambient Temperature Rating: -20°C to 40°C
- Input Frequency: 50/60 Hz
- CSA: 208V-347V
- CE: 208V-240V

- Wide Range of Color Temperature Options 2700K – 6500K¹ Available
- Pre-Wired Input Connector (Plug and Play)
- Low Lumen Depreciation, >70% at 60,000 Hours
- Operating Frequency: 250 kHz

LAMP TYPE/WATTAGES -

- Tubular Induction Lamps Available: 250W, 300W, 400W
- Standard Kelvin Temperature is 5000K: Provides a Cooler Color Temperature
- CRI >80

- Pre-Wired Input Connector
- Low Lumen Depreciation, >70% Lumen Maintenance at 60,000 Hours
- Vibration and Shock Resistant: No Filament

COMPLIANCE -

- UL listed – UL 1598 (E363375)
- cUL listed – UL 1598 (E363375)
- CSA listed¹: 250W, 300W, 400W
- CE listed¹: 250W, 300W, 400W

OPTICS -

- Specular Polished Surface Reflector Finish
- Precision Formed Anodized Reflector

- Clear Tempered Glass Lens
- Type II Distribution

WARRANTY -

- Five-year Limited Warranty

DIE CAST INDUCTION GENERATOR

TUBULAR INDUCTION
250W – 400W

MOUNTING HEIGHT
15' TO 40'



Actual performance may differ as a result of end-user environment and application.
Note: Specifications subject to change without notice.

NOTE:
1 Consult with your sales representative for availability.

ORDERING OPTIONS

Lead times will vary depending on options selected. Consult with your sales representative.

TYPE	SERIES	LAMP	WATTAGE	LENS	MOUNTING	ORDERING OPTIONS
TL = TUNNEL LIGHTER	02 = 02 SERIES	T = TUBULAR	250 = 250W 300 = 300W 400 = 400W	G = GLASS	BLANK = "U" BRACKET Q = "L" BRACKET	BLANK = 5000K 27 = 2700K 30 = 3000K 40 = 4000K 60 = 6000K 65 = 6500K J = CSA ¹ Z = CE ¹

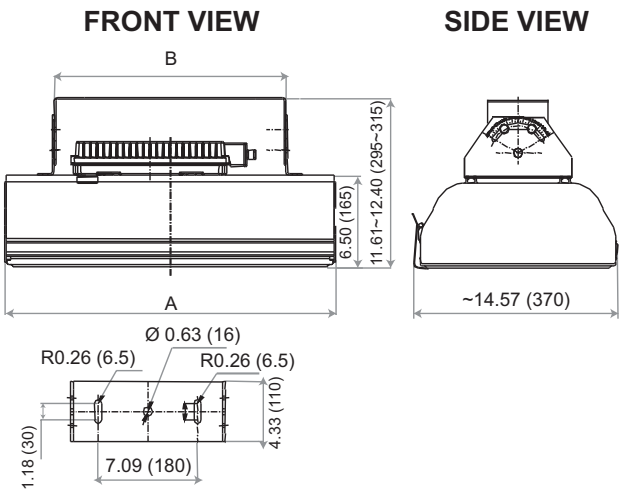
Example: TL-02-T400-G (Tunnel Lighter 02 series Tubular 400W lamp with Glass lens with "U" Bracket 5000K)

ELECTRICAL CHARACTERISTICS

MODEL NO.	RATED WATTAGE (W)	INPUT POWER (W)	INPUT CURRENT 120V - 277V (AMP)	LAMP RATED INITIAL LUMINANCE (LM)	EFFICACY (LM/W)	LUMEN MAINTENANCE	COLOR RENDERING INDEX	CCT (KELVIN)
TL02-T250-G TL02-T250-G-Q	250	263	2.19 - 0.95	22500	85 - 90	70%-75%	> 80	5000
TL02-T300-G TL02-T300-G-Q	300	315	2.63 - 1.14	27000	85 - 90			
TL02-T400-G TL02-T400-G-Q	400	420	3.50 - 1.52	36000	85 - 90			

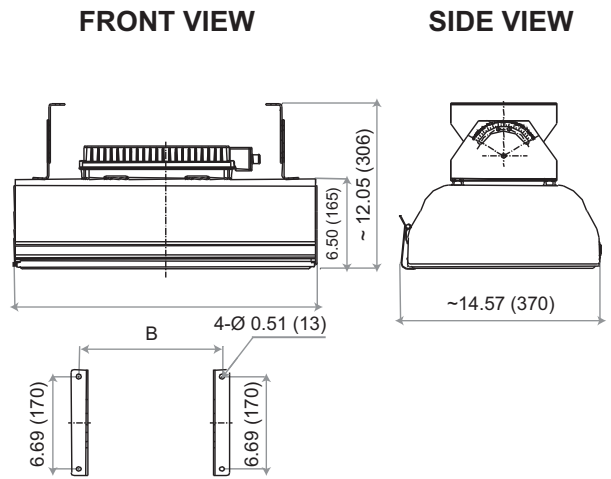
Mechanical Data

HORIZONTAL MOUNT "U" BRACKET



Model No.	A	B
TL02-T250-G	32.87(835)	19.69(500)
TL02-T300-G	37.80(960)	19.69(500)
TL02-T400-G	48.03(1220)	19.69(500)

HORIZONTAL MOUNT "L" BRACKET (OPTIONAL)



Dimension B is adjustable

Model No.	A	B
TL02-T250-G-Q	32.87(835)	19.69(500)
TL02-T300-G-Q	37.80(960)	23.62(600)
TL02-T400-G-Q	48.03(1060)	27.56(600)

(Cord Length : 39")

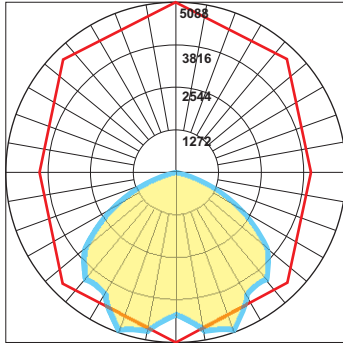
All dimensions are shown in inches (millimeters) unless otherwise noted.

TL02 Induction Tunnel Lighter Series

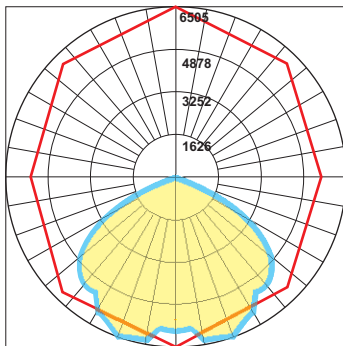
Photometric Data

IES files available upon request.

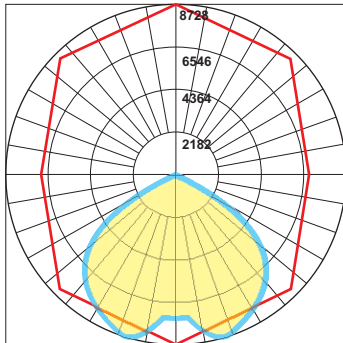
POLAR GRAPH



TL02-T250-G

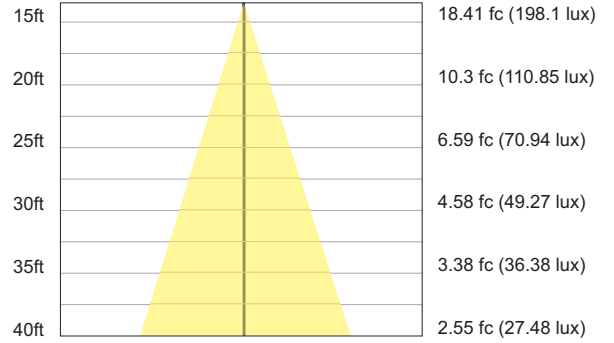


TL02-T300-G

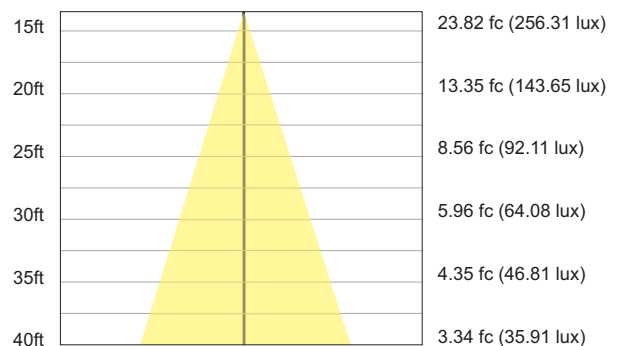


TL02-T400-G

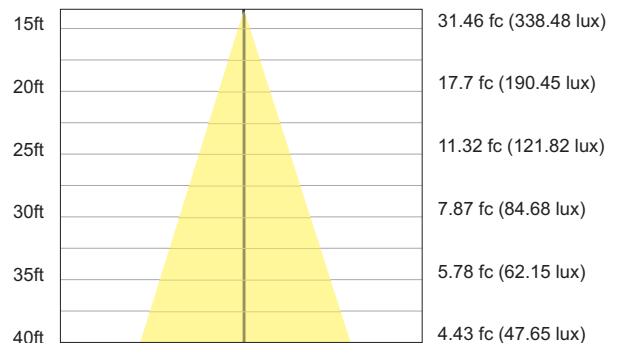
ILLUMINANCE AT DISTANCE



TL02-T250-G



TL02-T300-G



TL02-T400-G

Located At Horizontal Angle = 90, Vertical Angle = 20
 # 1 - Vertical Plane Through Horizontal Angles (90 - 270) (Through Max. Cd.)
 # 2 - Horizontal Cone Through Vertical Angle (20) (Through Max. Cd.)