

Basic Collection

TUNNEL LIGHTERS

Discontinued
Contact Fulham for availability. Not for use in new designs.



TL01 Induction Tunnel Lighter Series



DIE CAST INDUCTION GENERATOR

TUBULAR INDUCTION
100W – 200W

MOUNTING HEIGHT
10' TO 25'



The **TL01 Induction Tunnel Lighter Series** can be used in a variety of ceiling or wall mount applications including warehouse facilities, factories, stadiums, highbay/low bay applications, exhibition halls, and tunnel applications. Optimized for heights of 10ft to 25ft. TL01 provides optimal light distribution with its anodized aluminum reflector and clear tempered glass lens. Its gas-tight silicon rubber seal makes it suitable for wet locations (IP65). This reliable induction system operates well in cold temperatures and reduces on-site glare compare to HID and effective security light levels. The long life and superior lumen maintenance of Induction significantly reduces maintenance costs and provides a significant reduction in the total cost of ownership.

APPLICATION -

- Stadiums
- Factories
- Warehouse Facilities
- Tunnels
- Exhibition Halls
- Intended use for Replacements of HID Ceiling or Wall Mounted Luminaries

- Airports
- Supermarkets
- High/Low Bay Applications
- Amusement Parks

CONSTRUCTION -

- Square Profile Aluminum Housing
- Standard Powder Coated Finish: White
- Clear Tempered Glass Lens
- Die Cast Generator, Externally Mounted for Thermal Management

- Easy Maintenance with Front Glass Lens
- Gas-tight Silicon Rubber Seal
- Horizontal Mount with "U" Bracket (Optional: "L" Bracket)

ELECTRICAL -

- Universal Voltage (120V – 277V)
- High Power Factor (>.95)
- Ambient Temperature Rating: -20°C to 40°C
- Input Frequency: 50/60 Hz
- CSA: 208V-347V
- CE: 208V-240V

- Generator Type: Class P Type 1 outdoor
- THD %: < 10%
- Pre-Wired Output Connector (Plug and Play)
- Constant Wattage Output With Less Than 3% Variance
- Operating Frequency: 250 kHz

LAMP TYPE/WATTAGES -

- Tubular Induction Lamps Available: 100W¹, 120W, 150W, 200W
- Standard Kelvin Temperature is 5000K: Provides a Cooler Color Temperature
- Low Lumen Depreciation, >70% Lumen Maintenance at 60,000 Hours

- Wide Range of Color Temperature Options 2700K – 6500K¹ Available
- Pre-Wired Input Connector

COMPLIANCE -

- UL listed – UL 1598 (E363375)
- cUL listed – UL 1598 (E363375)
- FCC Part 18-A
- CE listed¹: 70W, 80W, 100W, 120W, 150W, 200W

- IP65: Suitable for Wet Location
- Surge Immunity – IEC 61000-4-5: Class 4
- CSA listed¹: 70W, 80W, 100W, 120W, 150W, 200W

OPTICS -

- Specular Polished Surface Reflector Finish
- Precision Formed Anodized Reflector

- Clear Tempered Glass Lens
- Type II Distribution

WARRANTY -

- Five-year Limited Warranty

Actual performance may differ as a result of end-user environment and application.
Note: Specifications subject to change without notice.

NOTE:
1 Consult with your sales representative for availability.

ORDERING OPTIONS

Lead times will vary depending on options selected. Consult with your sales representative.

TYPE	SERIES	LAMP	WATTAGE	LENS	MOUNTING	ORDERING OPTIONS
TL = TUNNEL LIGHTER	01 = 01 SERIES	T = TUBULAR	100 = 100W 120 = 120W 150 = 150W 200 = 200W	G = GLASS	BLANK = "U" BRACKET Q = "L" BRACKET	BLANK = 5000K 27 = 2700K 30 = 3000K 40 = 4000K 60 = 6000K 65 = 6500K J = CSA ¹ Z = CE ¹

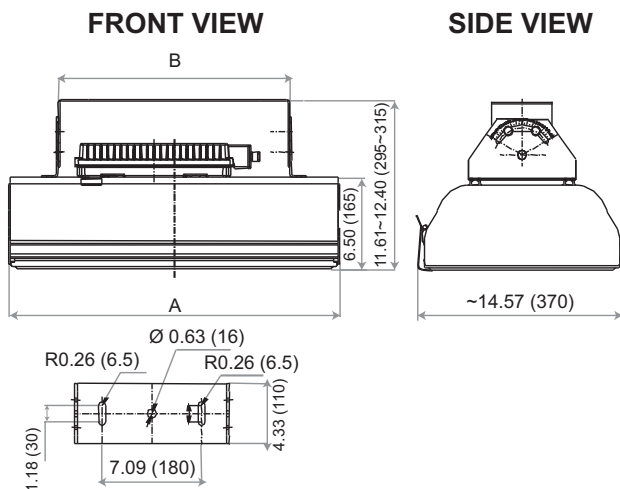
Example: TL-01-T200-G (Tunnel Lighter 01 series Tubular 200W lamp with Glass lens with "U" Bracket 5000K)

ELECTRICAL CHARACTERISTICS

MODEL NO.	RATED WATTAGE (W)	INPUT POWER (W)	INPUT CURRENT 120V - 277V (AMP)	LAMP RATED INITIAL LUMINANCE (LM)	EFFICACY (LM/W)	LUMEN MAINTENANCE	COLOR RENDERING INDEX	CCT (KELVIN)
TL01-T100-G TL01-T100-G-Q	100	105	0.88 - 0.38	8000	75 - 80	70%-75%	> 80	5000
TL01-T120-G TL01-T120-G-Q	120	126	1.05 - 0.45	9600	75 - 80			
TL01-T150-G TL01-T150-G-Q	150	158	1.32 - 0.57	12750	80 - 85			
TL01-T200-G TL01-T200-G-Q	200	210	1.75 - 0.76	17000	80 - 85			

Mechanical Data

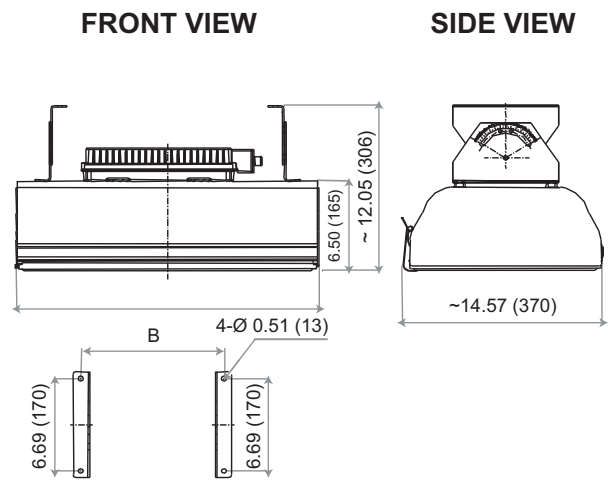
HORIZONTAL MOUNT "U" BRACKET



Model No.	A	B
TL01-T100-G	18.50(470)	12.60(320)
TL01-T120-G	18.50(470)	12.60(320)
TL01-T150-G	21.65(550)	12.60(320)
TL01-T200-G	21.65(550)	12.60(320)

(Cord Length : 39")

HORIZONTAL MOUNT "L" BRACKET (OPTIONAL)



Dimension B is adjustable

Model No.	A	B
TL01-T100-G-Q	18.50(470)	14.96(380)
TL01-T120-G-Q	21.65(550)	15.75(400)
TL01-T150-G-Q	21.65(550)	15.75(400)
TL01-T200-G-Q	27.95(710)	19.69(500)

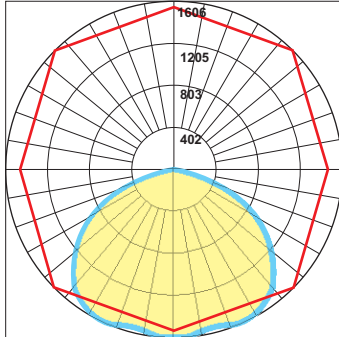
All dimensions are shown in inches (millimeters) unless otherwise noted.

TL01 Induction Tunnel Lighter Series

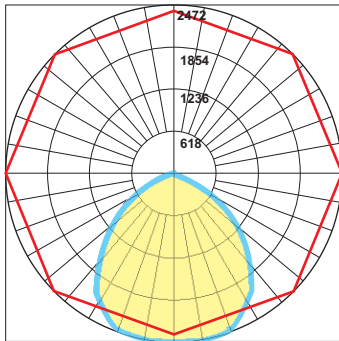
Photometric Data

IES files available upon request.

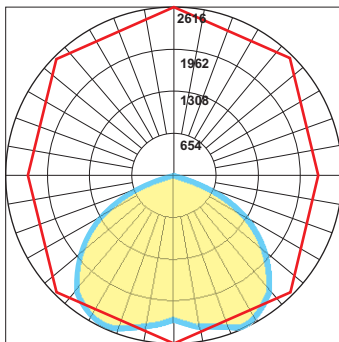
POLAR GRAPH



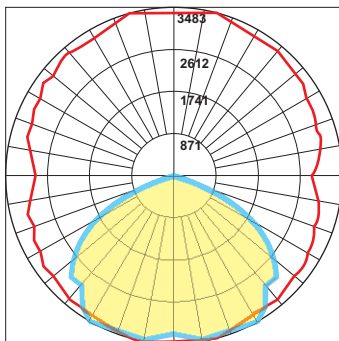
TL01-T100-G



TL01-T120-G



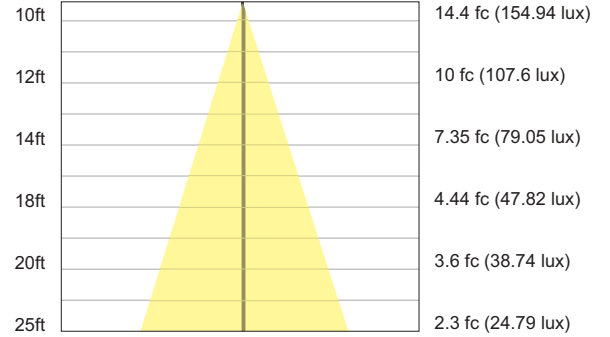
TL01-T150-G



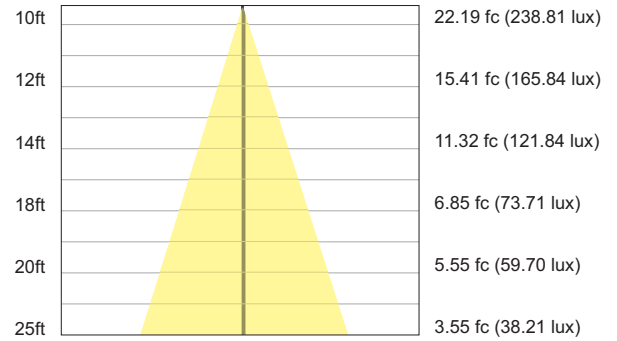
TL01-T200-G

Located At Horizontal Angle = 75, Vertical Angle = 30
1 - Vertical Plane Through Horizontal Angles (75 - 255) (Through Max. Cd.)
2 - Horizontal Cone Through Vertical Angle (30) (Through Max. Cd.)

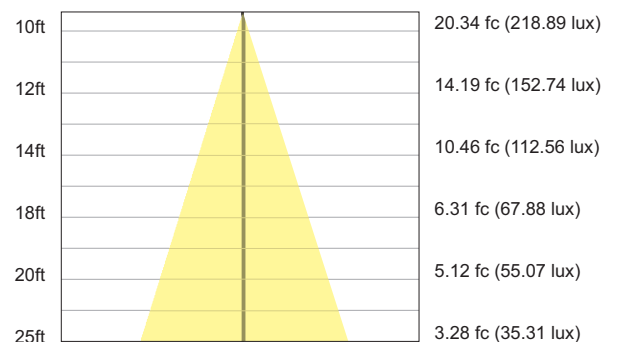
ILLUMINANCE AT DISTANCE



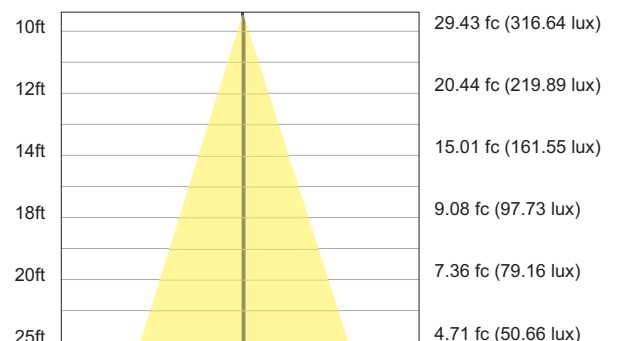
TL01-T100-G



TL01-T120-G



TL01-T150-G



TL01-T200-G