

# Basic Collection

SHOEBOXES

**Discontinued**  
Contact Fulham for availability. Not for use in new designs.



## SB04 Induction Shoebox Series



The **SB04 Induction Shoebox Series** can be used in a variety of applications including parking lots, tennis court, public areas, and dealerships. Optimized for heights of 20ft to 40ft. Squared welded aluminum housing provides a superior corrosion resistance. Dual induction system allows for bi-level dimming. The Induction system operates well in cold temperatures with an instant ON/re-strike capability. The long life and superior lumen maintenance of Induction significantly reduces maintenance costs and provides a significant reduction in the total cost of ownership.

**APPLICATION -**

- Parking Lots
- Tennis Courts
- Intended use for Replacements of HID High Bay

- Dealerships
- Public Areas

**CONSTRUCTION -**

- Squared Welded Aluminum Housing
- Corrosion Resistant
- Standard Powder Coated Finish: Dark Bronze
- Optional: Slip Fitter (Round Pole), 6" Square Arm and 8" Square Arm

- Flat Clear Tempered Glass Lens
- Integrated Structure for Lamp and Ballast
- 4" Squared Mounting Arm (Standard)
- Profile Generator

**ELECTRICAL -**

- Universal Voltage (120V – 277V)
- High Power Factor (>.95)
- Ambient Temperature Rating: -20°C to 40°C
- Input Frequency: 50/60 Hz
- Operating Frequency: 250 kHz
- Generator Type: Class P Type 1 outdoor
- Constant Wattage Output With Less Than 3% Variance

- No Variation Over a Wide Range of Temperatures and Voltage Fluctuation
- Instant On
- No Noise Compare to HID Systems
- Bi-Level Dimming
- THD %: < 10%
- Pre-Wired Output Connector (Plug and Play)

**LAMP TYPE/WATTAGES -**

- Tubular Induction Lamps Available: 300W, 400W
- Standard Kelvin Temperature is 5000K: Provides a Cooler Color Temperature
- Wide Range of Color Temperature Options 2700K – 6500K Available
- CRI>80

- Pre-Wired Input Connector
- Low Lumen Depreciation, >70% Lumen Maintenance at 60,000 Hours
- Vibration and Shock Resistant: No Filament

**COMPLIANCE -**

- UL listed – UL 1598 (E363375)
- cUL listed – UL 1598 (E363375)
- FCC Part 18-A

- IP54: Suitable for Wet Location
- Surge Immunity – IEC 61000-4-5: Class 4

**DIMMING INDUCTION GENERATOR SPECIFICATIONS -**

- Dimming interface is electrically isolated for safety and reliability
- Dimmable Induction generator can work as a regular generator to drive the lamp at full range when the 0-10V interface is not connected.
- The output wattage is about 50% at 0-3VDC.
- The output wattage is dimmed from 100% to 50% at the 9-3VDC.
- Dimming wires: Violet (+), Gray (-)
- The output wattage is 100% at 9-10VDC.

- The output wattage is at the 100% range when the system is power ON. If the system is set on a dim level then it will dim within 30 seconds.
- Shorting the two dimming wires (Violet and Gray) sets the system to the lowest dim level of 50%, acting as a bi-level dimming system.

**OPTICS -**

- Specular Polished Surface Reflector Finish
- Precision Formed Anodized Reflector

- Clear Glass Lens with High Light Penetration
- Type V Distribution

**WARRANTY -**

- Five-year Limited Warranty

**PROFILE INDUCTION GENERATOR**

**TUBULAR INDUCTION**  
300W – 400W

**MOUNTING HEIGHT**  
20' TO 40'

**DIMMING WATTAGES**  
TUBULAR 300W-400W



Actual performance may differ as a result of end-user environment and application.  
Note: Specifications subject to change without notice.

*NOTE:*  
1. Consult with your sales representative for availability.  
2. Consult with your sales representative for lead time.  
3. Dimming Generator, No Sensor included

### ORDERING OPTIONS

*Lead times will vary depending on options selected. Consult with your sales representative.*

TYPE	SERIES	LAMP	WATTAGE	LENS	MOUNTING	ORDERING OPTIONS
SB = SHOEBOX	04 = 04 SERIES	T = TUBULAR	300 = 300W 400 = 400W	G= GLASS	BLANK = 4" SQUARE ARM 6 = 6" SQUARE ARM <sup>1</sup> 8 = 8" SQUARE ARM <sup>1</sup> I = SLIPFITTER (ROUND POLE) <sup>1</sup>	M = 0-10V Dimming <sup>3</sup> BLANK = 5000K 27 = 2700K 30 = 3000K 40 = 4000K 60 = 6000K 65 = 6500K

**Example:** SB-04-T400-G (Shoebbox 04 series Tubular 400W lamp with Glass lens and 4" Square Arm)

### ACCESSORIES

DESCRIPTION:	PART NUMBER:
STEP DOWN TRANSFORMER	
250W-400W	HH-ILS-SD3-460VA



**Discontinued**  
Contact Fulham for availability. Not for use in new designs.



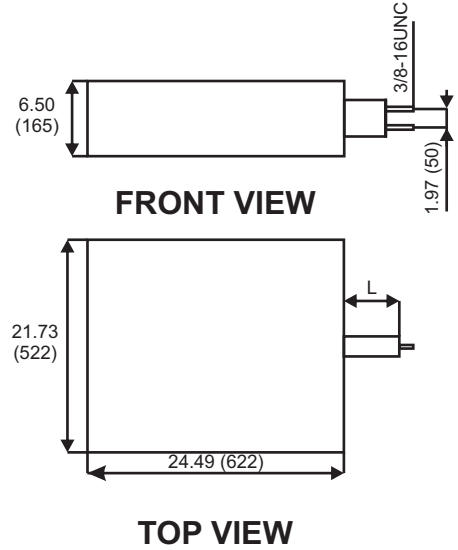
## SB04 Induction Shoebox Series

### ELECTRICAL CHARACTERISTICS

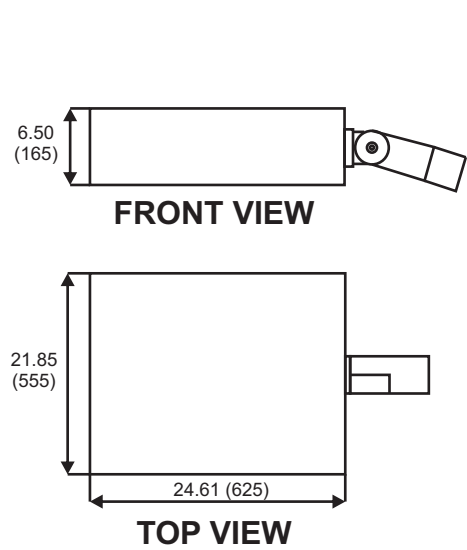
MODEL NO.	RATED WATTAGE (W)	INPUT POWER (W)	INPUT CURRENT 120V - 277V (AMP)	LAMP RATED INITIAL LUMINANCE (LM)	EFFICACY (LM/W)	LUMEN MAINTENANCE	COLOR RENDERING INDEX	CCT (KELVIN)
SB04-T300-G/M SB04-T300-G-I/M	300	315	2.63 - 1.14	27000	80 - 85	70%-75%	> 80	5000
SB04-T400-G/M SB04-T400-G-I/M	400	420	3.50 - 1.52	36000	80 - 85			

### Mechanical Data

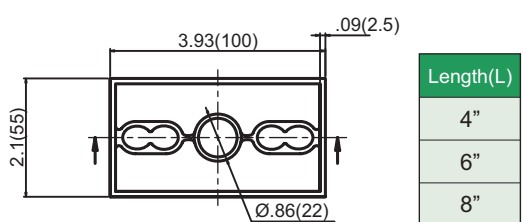
#### SQUARE MOUNTING ARM



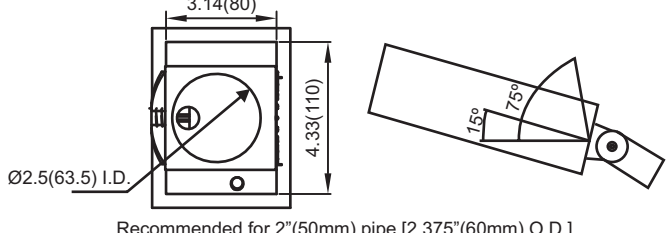
#### SLIP FITTER (ROUND POLE) (Optional)



#### SQUARE MOUNTING ARM



#### SLIPFITTER (ROUND POLE)



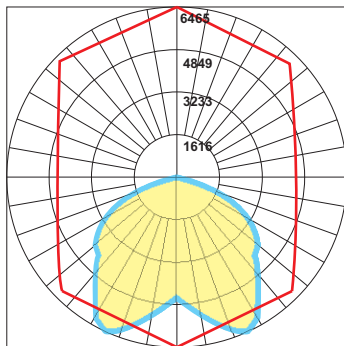
(Cord Length : 10")

All dimensions are shown in inches (millimeters) unless otherwise noted.

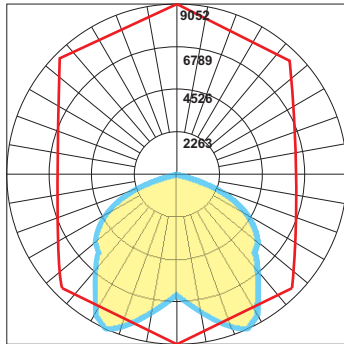
### Photometric Data

IES files available upon request.

#### POLAR GRAPH

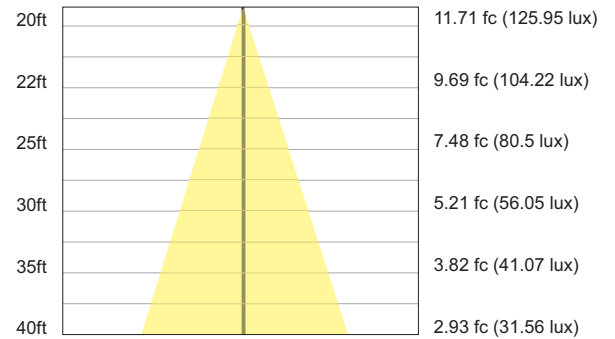


**SB04-T300-G/M**

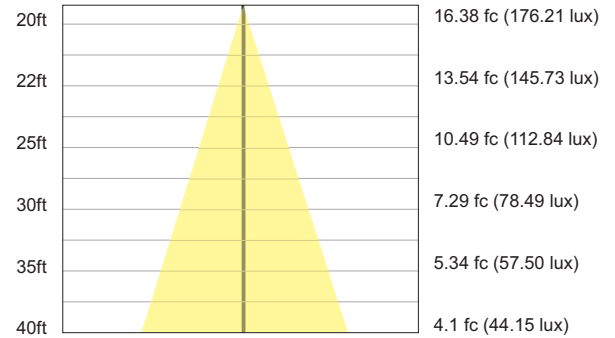


**SB04-T400-G/M**

#### ILLUMINANCE AT DISTANCE



**SB04-T300-G/M**



**SB04-T400-G/M**

Located At Horizontal Angle = 90, Vertical Angle = 25  
 # 1 - Vertical Plane Through Horizontal Angles (90 - 270) (Through Max. Cd.)  
 # 2 - Horizontal Cone Through Vertical Angle (25) (Through Max. Cd.)