

Discontinued
Contact Fulham for availability. Not for use in new designs.



SB03 Induction Shoebox Series



SEALED DIE CAST INDUCTION GENERATOR

CIRCULAR INDUCTION
250W – 300W

MOUNTING HEIGHT
15' TO 40'



The **SB03 Induction Shoebox Series** can be used in a variety of applications including parking lots, tennis court, public areas, and dealerships. Optimized for heights of 15ft to 40ft. SB03 Series squared welded aluminum housing provides a superior corrosion resistance. Separate generator and lamp compartment is engineered for great reliability and easy maintenance. The Induction system operates well in cold temperatures with an instant ON/re-strike capability. The long life and superior lumen maintenance of Induction significantly reduces maintenance costs and provides a significant reduction in the total cost of ownership.

APPLICATION -

- Parking Lots
- Tennis Courts
- Intended use for Replacements of HID Area Lighting

- Dealerships
- Public Areas

CONSTRUCTION

- Squared Welded Aluminum Housing
- Corrosion Resistant
- Standard Powder Coated Finish: Dark Bronze
- Separate Generator and Lamp Compartment is Engineered for Great Reliability and Easy Maintenance
- Sealed Die Cast Generator

- Standard Mounting (Luminaire mounts directly without any of the mounting options described below)³
- Optional: 4" Square Arm, 6" Square Arm and 8" Square Arm, Slip Fitter Mount
- Polycarbonate Lens

ELECTRICAL -

- Universal Voltage (120V – 277V)
- High Power Factor (>.95)
- Ambient Temperature Rating: -20°C to 40°C
- Input Frequency: 50/60 Hz
- Operating Frequency: 250 kHz
- Generator Type: Class P Type 1 outdoor
- No Noise Compare to HID Systems

- THD %: < 10%
- Pre-Wired Output Connector (Plug and Play)
- Constant Wattage Output With Less Than 3% Variance
- No Variation Over a Wide Range of Temperatures and Voltage Fluctuation
- Instant On

LAMP TYPE/WATTAGES -

- Circular Induction Lamps Available: 250W, 300W
- Standard Kelvin Temperature is 5000K: Provides a Cooler Color Temperature
- Wide Range of Color Temperature Options 2700K – 6500K¹ Available
- CRI>80

- Pre-Wired Input Connector
- Low Lumen Depreciation, >70% Lumen Maintenance at 60,000 Hours
- Vibration and Shock Resistant: No Filament

COMPLIANCE -

- UL listed – UL 1598 (E363375)
- cUL listed – UL 1598 (E363375)
- FCC Part 18-A

- IP54: Suitable for Wet Location
- Surge Immunity – IEC 61000-4-5: Class 4

OPTICS -

- Symmetric Hydroformed Aluminum Reflector
- High Reflectivity Vacuum Coated Inner Surface Finish

- Polycarbonate Lens
- Type V Distribution

WARRANTY -

- Five-year Limited Warranty

NOTE:
1 Consult with your sales representative for availability.
2 Consult with your sales representative for lead time.
3 Luminaire mounts directly to pole.

Actual performance may differ as a result of end-user environment and application.
Note: Specifications subject to change without notice.

ORDERING OPTIONS

Lead times will vary depending on options selected. Consult with your sales representative.

TYPE	SERIES	LAMP	WATTAGE	LENS	MOUNTING	ORDERING OPTIONS
SB = SHOEBOX	03 = 03 SERIES	C = CIRCULAR	250 = 250W 300 = 300W	P = POLYCARBONATE	X = STANDARD MOUNTING OPTION ³ BLANK = 4" SQUARE ARM 6 = 6" SQUARE ARM ¹ 8 = 8" SQUARE ARM ¹ I = SLIPFITTER	BLANK = 5000K 27 = 2700K 30 = 3000K 40 = 4000K 60 = 6000K 65 = 6500K

Example: SB-03-C250-P (Shoebbox 03 series Circular 250W lamp with Polycarbonate lens)

ACCESSORIES

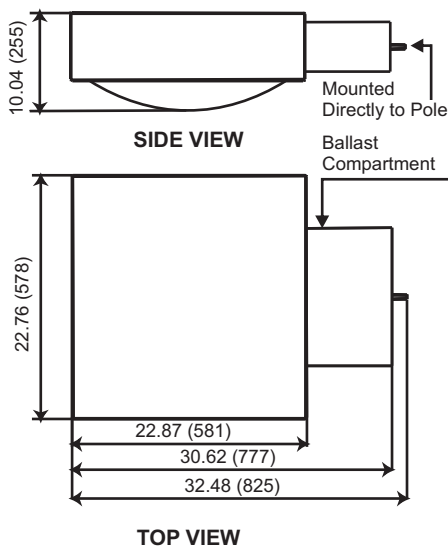
DESCRIPTION:	PART NUMBER:
STEP DOWN TRANSFORMER	
250W-400W	HH-ILS-SD3-460VA

ELECTRICAL CHARACTERISTICS

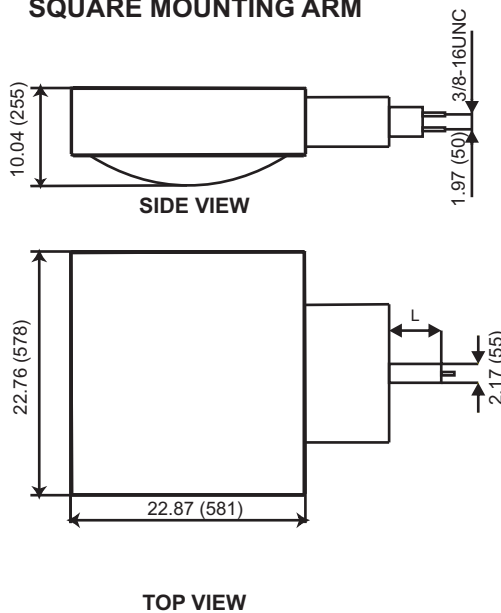
MODEL NO.	RATED WATTAGE (W)	INPUT POWER (W)	INPUT CURRENT 120V - 277V (AMP)	LAMP RATED INITIAL LUMINANCE (LM)	EFFICACY (LM/W)	LUMEN MAINTENANCE	COLOR RENDERING INDEX	CCT (KELVIN)
SB03-C250-P SB03-C250-P-X SB03-C250-P-I	250	263	2.19 - 0.95	22500	80 - 85	70%-75%	> 80	5000
SB03-C300-P SB03-C300-P-X SB03-C300-P-I	300	315	2.63 - 1.14	27000	80 - 85			

Mechanical Data

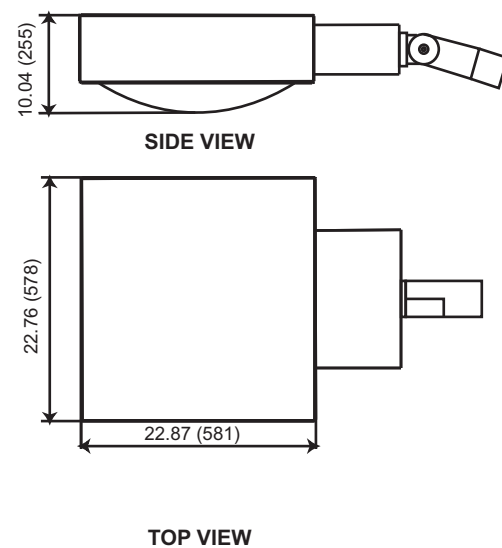
STANDARD MOUNTING OPTION



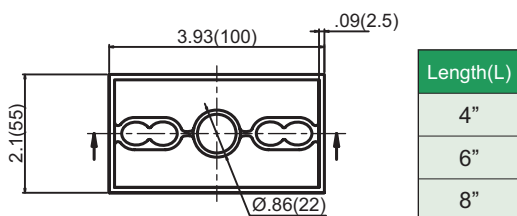
SQUARE MOUNTING ARM



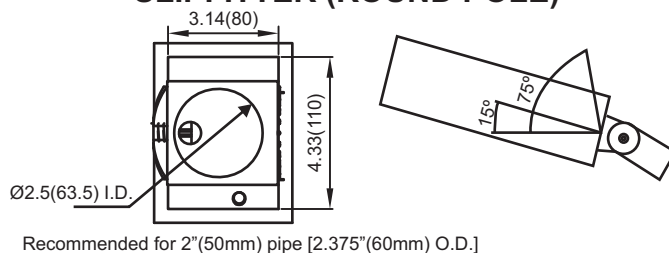
SLIPFITTER (ROUND POLE) (OPTION)



SQUARE MOUNTING ARM



SLIPFITTER (ROUND POLE)

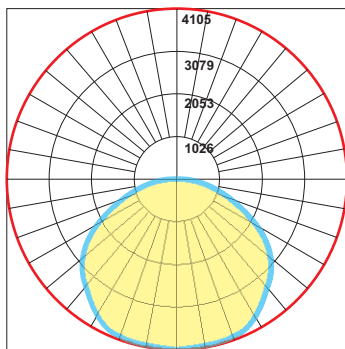


All dimensions are shown in inches (millimeters) unless otherwise noted.

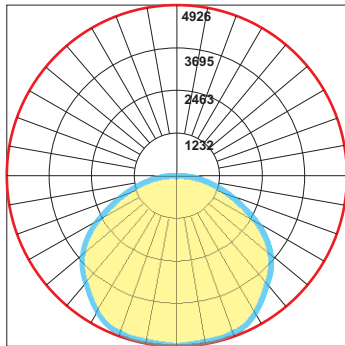
Photometric Data

IES files available upon request.

POLAR GRAPH

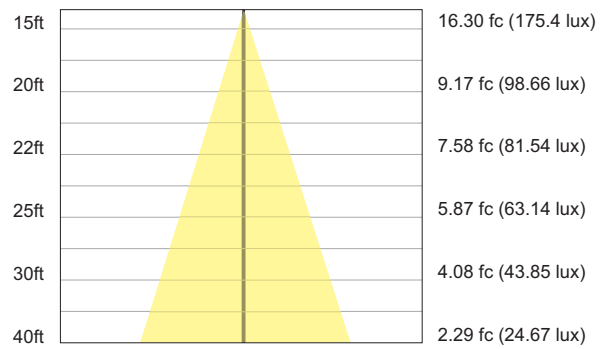


SB03-C250-P

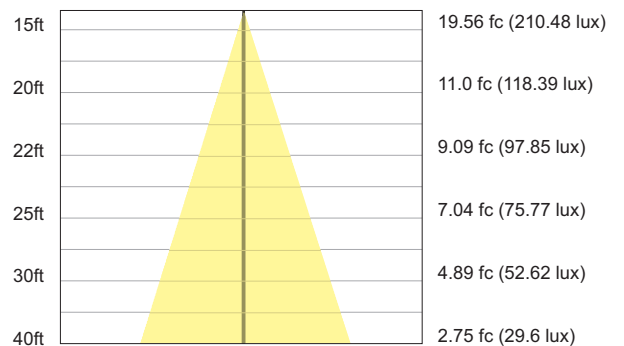


SB03-C300-P

ILLUMINANCE AT DISTANCE



SB03-C250-P



SB03-C300-P

Located At Horizontal Angle = 0, Vertical Angle = 5
 # 1 - Vertical Plane Through Horizontal Angles (0 - 180) (Through Max. Cd.)
 # 2 - Horizontal Cone Through Vertical Angle (5) (Through Max. Cd.)