

Basic Collection

HIGHBAYS / LOWBAYS

Discontinued
Contact Fulham for availability. Not for use in new designs.



HB10 Induction Highbay Series



DISC INDUCTION GENERATOR

CIRCULAR INDUCTION
100W – 200W

MOUNTING HEIGHT
10' TO 30'

DIMMING WATTAGES
CIRCULAR 150W-200W

The **HB10 Induction Highbay Series** can be used in a variety of applications including stadiums, workshop, warehouse, airport, port station, exhibition hall, and supermarket. Design for wet location. The Induction system operates well in cold temperatures with an instant ON/re-strike capability. The long life and superior lumen maintenance of Induction significantly reduces maintenance costs and provides a significant reduction in the total cost of ownership.

APPLICATION -

- Stadiums
- Workshops
- Warehouse
- Exhibition Hall
- Intended use for Replacements of HID Luminaire with IP65 Requirement

- Supermarket
- Manufacturing
- Airports
- Port Station

CONSTRUCTION -

- Strong Die-cast Aluminum Housing with Powder Coating
- Corrosion Resistant, Vandal proof, and Durable
- Hi-heat Resistant Seal Ring
- Disc Generator – Externally Mounted, Powder Coated White (Standard)

- Aluminum Finish
- Flat Glass Lens
- Pendant Mount or Hook
- Pure Anodized Aluminum Reflector

ELECTRICAL -

- Universal Voltage (120V – 277V)
- High Power Factor (>.95)
- Ambient Temperature Rating: -20°C to 40°C
- Input Frequency: 50/60 Hz
- Operating Frequency: 250 kHz
- Step Down Transformer Voltage: 347V/480V to 277V
- CSA: 208V-347V
- CE: 208V-240V

- Pre-Wired Output Connector (Plug and Play)
- Constant Wattage Output With Less Than 3% Variance
- No Variation Over a Wide Range of Temperatures and Voltage Fluctuation
- Instant On
- No Noise Compared to HID Systems
- Generator Type: Class P Type 1 outdoor, IP43
- THD %: < 10%

LAMP TYPE/WATTAGES -

- Circular Induction Lamps Available: 100W, 120W, 150W, 200W
- Standard Kelvin Temperature is 5000K: Provides a Cooler Color Temperature
- CRI >80
- Wide Range of Color Temperature Options 2700K – 6500K Available

- Pre-Wired Input Connector
- Low Lumen Depreciation, >70% Lumen Maintenance at 60,000 Hours
- Vibration and Shock Resistant: No Filament

COMPLIANCE -

- UL listed – UL 1598 (E363375)
- cUL listed – UL 1598 (E363375)
- CSA listed¹: 100W, 120W, 150W, 200W
- CE listed²: 120W, 150W, 200W

- IP65: Suitable for Wet Location
- Surge Immunity – IEC 61000-4-5: Class 4
- FCC Part 18-A

DIMMING INDUCTION GENERATOR SPECIFICATIONS -

- Dimming interface is electrically isolated for safety and reliability
- Dimmable Induction generator can work as a regular generator to drive the lamp at full range when the 0-10V interface is not connected.
- The output wattage is about 50% at 0-3VDC.
- The output wattage is dimmed from 100% to 50% at the 9-3VDC.
- Dimming wires: Violet (+), Gray (-)
- The output wattage is 100% at 9-10VDC.

- The output wattage is at the 100% range when the system is power ON. If the system is set on a dim level then it will dim within 30 seconds.
- Shorting the two dimming wires (Violet and Gray) sets the system to the lowest dim level of 50%, acting as a bi-level dimming system.

OPTICS -

- Flat Glass Lens
- High Reflectance Aluminum Housing: Pure Anodized

- Type V Distribution

WARRANTY -

- Five-year Limited Warranty

NOTE:
1 Consult with your sales representative for availability.
2 Consult with your sales representative for lead time.
3. Dimming Generator, No Sensor included

Actual performance may differ as a result of end-user environment and application.
Note: Specifications subject to change without notice.

Lead times will vary depending on options selected. Consult with your sales representative.

ORDERING OPTIONS

| TYPE | SERIES | LAMP | WATTAGE | LENS | REFRACTOR DIA | ORDERING OPTIONS |
|--------------|----------------|--------------|------------------------------------------------------|----------------------------------|---------------|----------------------------------------------------------------------------------------------------------------------------------------------------------------------|
| HB = HIGHBAY | 10 = 10 SERIES | C = CIRCULAR | 100 = 100W 120 = 120W 150 = 150W 200 = 200W | BLANK = NO LENS G = GLASS | 24" | M = 0-10V Dimming ³ BLANK = 5000K 27 = 2700K 30 = 3000K 40 = 4000K 60 = 6000K 65 = 6500K J = CSA ¹ Z = CE ¹ |

Example: HB-10-C200-G-24 (Highbay 10 series Circular 200W lamp with 24" Glass lens)

ACCESSORIES

| DESCRIPTION: | PART NUMBER: |
|-------------------------------|--------------|
| HIGHBAY PERFORMANCE REFLECTOR | |
| 150W/200W | HHILPF00020 |



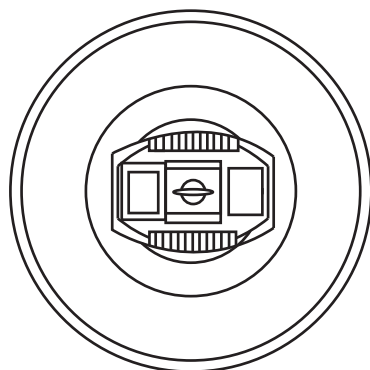
ELECTRICAL CHARACTERISTICS

| MODEL NO. | RATED WATTAGE (W) | INPUT POWER (W) | INPUT CURRENT 120V - 277V (AMP) | LAMP RATED INITIAL LUMINANCE (LM) | EFFICACY (LM/W) | LUMEN MAINTENANCE | COLOR RENDERING INDEX | CCT (KELVIN) |
|------------------------------------|-------------------|-----------------|---------------------------------|-----------------------------------|-----------------|-------------------|-----------------------|--------------|
| HB10-C100-G-24 HB10-C100-24 | 100 | 105 | 0.88 - 0.38 | 8000 | 75 - 80 | 70%-75% | > 80 | 5000 |
| HB10-C120-G-24 HB10-C120-24 | 120 | 126 | 1.05 - 0.45 | 9600 | 75 - 80 | | | |
| HB10-C150-G-24/M HB10-C150-24/M | 150 | 158 | 1.32 - 0.57 | 12750 | 80 - 85 | | | |
| HB10-C200-G-24/M HB10-C200-24/M | 200 | 210 | 1.75 - 0.76 | 17000 | 80 - 85 | | | |

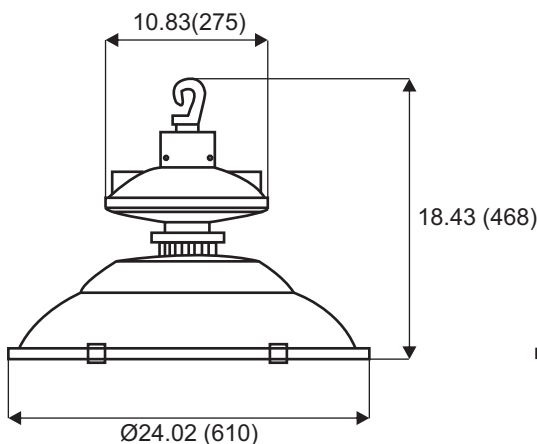
Mechanical Data

NOTE: PENDANT MOUNT IS FOR A 3/4" THREADED PIPE

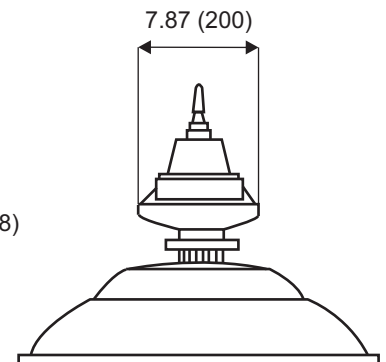
HOOK OR PENDANT MOUNT



BOTTOM VIEW



FRONT VIEW



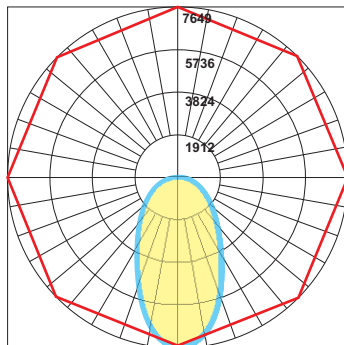
SIDE VIEW

All dimensions are shown in inches (millimeters) unless otherwise noted.

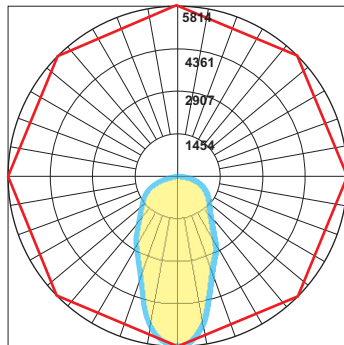
Photometric Data

IES files available upon request.

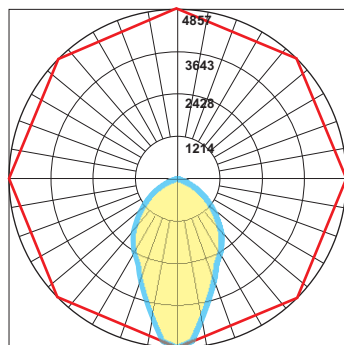
POLAR GRAPH



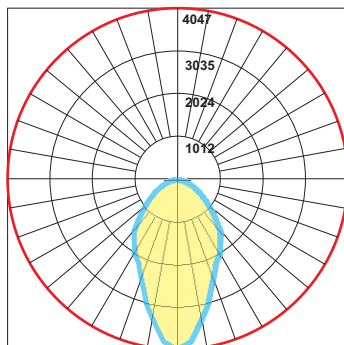
HB10-C200-G-24/M



HB10-C150-G-24/M

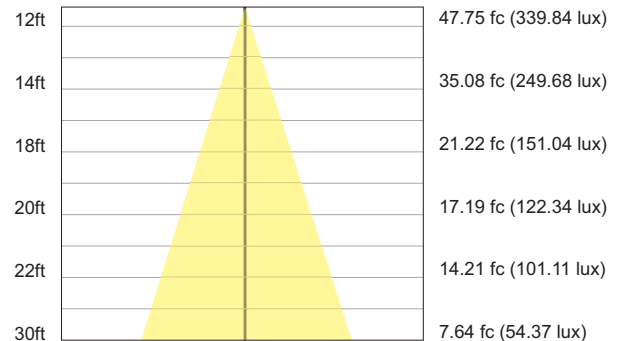


HB10-C120-G-24

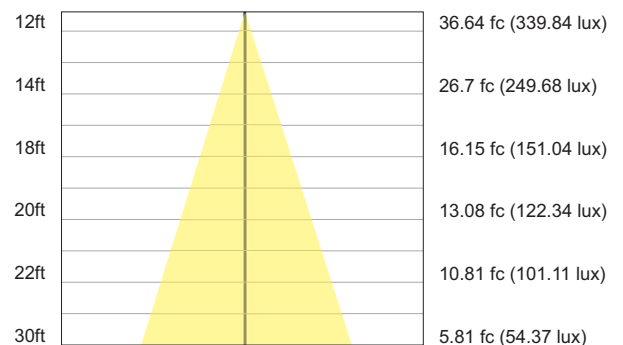


HB10-C100-G-24

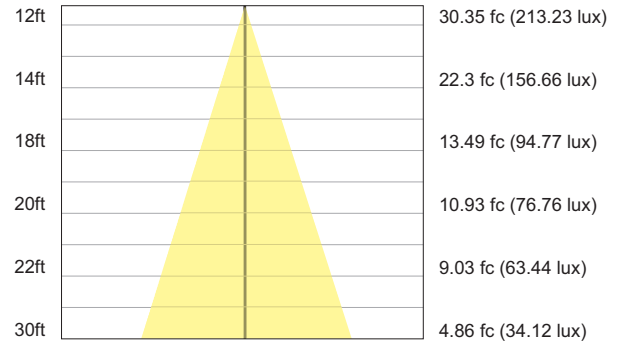
ILLUMINANCE AT DISTANCE



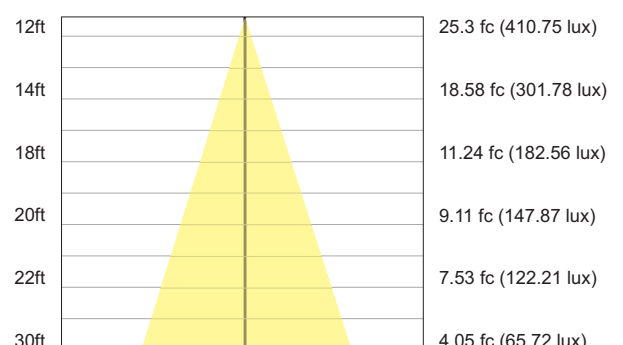
HB10-C200-G-24/M



HB10-C150-G-24/M



HB10-C120-G-24



HB10-C100-G-24

Located At Horizontal Angle = 45, Vertical Angle = 2
 # 1 - Vertical Plane Through Horizontal Angles (45 - 225) (Through Max. Cd.)
 # 2 - Horizontal Cone Through Vertical Angle (2) (Through Max. Cd.)