

Discontinued
Contact Fulham for availability. Not for use in new designs.

FL01 Induction Floodlight Series



PROFILE INDUCTION GENERATOR

TUBULAR INDUCTION
70W – 100W

MOUNTING HEIGHT
8' TO 25'

DIMMING WATTAGES
TUBULAR 70W - 100W



The **FL01 Induction Floodlight Series** can be used in a variety of applications including billboard, parking lots, area lighting, tennis courts, scenic lighting, and industrial environments. Optimize for heights of 8ft to 25ft. FL01 Series has a fully adjustable mounting bracket, this allows the light to be aim and directed where it's needed. Can be use as upward and downward lighting. The die cast aluminum housing provides a superior corrosion resistance. The Induction system operates well in cold temperatures with an instant ON/re-strike capability. The long life and superior lumen maintenance of Induction significantly reduces maintenance costs and provides a significant reduction in the total cost of ownership.

APPLICATION -

- Billboard
- Parking Lots
- Area Lighting
- Intended use for Replacements of HID Luminaire

- Scenic Lighting
- Industrial Applications
- Tennis Court

CONSTRUCTION -

- Die Cast Aluminum Housing
- Corrosion Resistant
- Low Profile Design
- Standard Powder Coated Finish: Black

- Separate Generator and Lamp Compartment is Engineered for Great Reliability and Easy Maintenance
- Flat Tempered Glass Lens
- Universal Mounting Bracket

ELECTRICAL -

- Universal Voltage (120V – 277V)
- High Power Factor (> 95)
- Ambient Temperature Rating: -20°C to 40°C
- Input Frequency: 50/60 Hz
- Operating Frequency: 250 kHz
- Generator Type: Class P Type 1 outdoor
- CSA: 208V-347V
- CE: 208V-240V

- THD %: < 10%
- Pre-Wired Output Connector (Plug and Play)
- Constant Wattage Output With Less Than 3% Variance
- No Variation Over a Wide Range of Temperatures and Voltage Fluctuation
- Instant On
- No Noise Compared to HID Systems

LAMP TYPE/WATTAGES -

- Tubular Induction Lamps Available: 70W, 80W, 100W
- Standard Kelvin Temperature is 5000K: Provides a Cooler Color Temperature
- Wide Range of Color Temperature Options 2700K – 6500K¹ Available
- CRI>80

- Pre-Wired Input Connector
- Low Lumen Depreciation, >70% Lumen Maintenance at 60,000 Hours
- Vibration and Shock Resistant: No Filament

COMPLIANCE -

- UL listed – UL 1598 (E363375)
- cUL listed – UL 1598 (E363375)
- CSA listed¹: 70W, 80W, 100W
- CE listed¹: 70W, 80W, 100W

- IP65: Suitable for Wet Location
- Surge Immunity – IEC 61000-4-5: Class 4
- FCC Part 18-A

DIMMING INDUCTION GENERATOR SPECIFICATIONS -

- Dimming interface is electrically isolated for safety and reliability
- Dimmable Induction generator can work as a regular generator to drive the lamp at full range when the 0-10V interface is not connected.
- The output wattage is about 50% at 0-3VDC.
- The output wattage is dimmed from 100% to 50% at the 9-3VDC.
- Dimming wires: Violet (+), Gray (-)
- The output wattage is 100% at 9-10VDC.

- The output wattage is at the 100% range when the system is power ON. If the system is set on a dim level then it will dim within 30 seconds.
- Shorting the two dimming wires (Violet and Gray) sets the system to the lowest dim level of 50%, acting as a bi-level dimming system.

OPTICS -

- Hammerstone Aluminum Reflector Finish
- Downward and Upward Lighting; Standard Option Downward

- Precision Formed Anodized Reflector
- Type V Distribution

WARRANTY -

- Five-year Limited Warranty

NOTE:
1 Consult with your sales representative for availability.
2 Consult with your sales representative for lead time.
3. Dimming Generator, No Sensor included

Actual performance may differ as a result of end-user environment and application.
Note: Specifications subject to change without notice.

ORDERING OPTIONS

Lead times will vary depending on options selected. Consult with your sales representative.

TYPE	SERIES	LAMP	WATTAGE	LENS	LIGHT DIRECTION	ORDERING OPTIONS
FL = FLOODLIGHT	01 = 01 SERIES	T = TUBULAR	070 = 70W 080 = 80W 100 = 100W	G = GLASS	BLANK = DOWNWARD U = UPWARD	M = 0-10V Dimming ³ BLANK = 5000K 27 = 2700K 30 = 3000K 40 = 4000K 60 = 6000K 65 = 6500K J = CSA ¹ Z = CE ¹

Example: FL-01-T100-G (Floodlight 01 series Tubular 100W lamp with Glass lens)

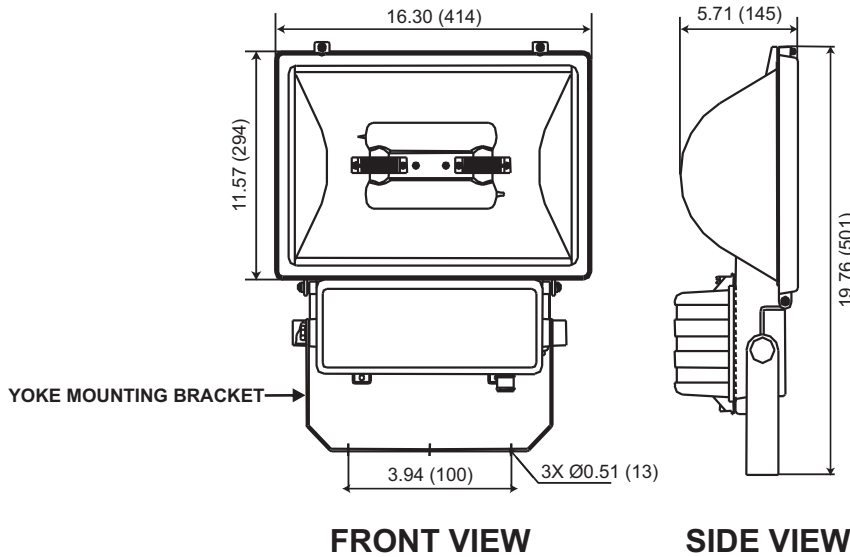
Discontinued
Contact Fulham for availability. Not for use in new designs.

FL01 Induction Floodlight Series

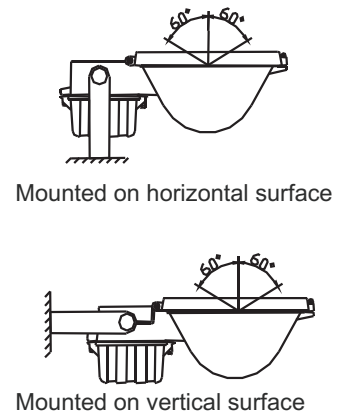
ELECTRICAL CHARACTERISTICS

MODEL NO.	RATED WATTAGE (W)	INPUT POWER (W)	INPUT CURRENT 120V - 277V (AMP)	LAMP RATED INITIAL LUMINANCE (LM)	EFFICACY (LM/W)	LUMEN MAINTENANCE	COLOR RENDERING INDEX	CCT (KELVIN)
FL01-T070-G/M FL01-T070-G-U/M	70	74	0.62 - 0.27	5250	70 - 75	70%-75%	> 80	5000
FL01-T080-G/M FL01-T080-G-U/M	80	84	0.70 - 0.30	6000	70 - 75			
FL01-T100-G/M FL01-T100-G-U/M	100	105	0.88 - 0.38	8000	75 - 80			

Mechanical Data

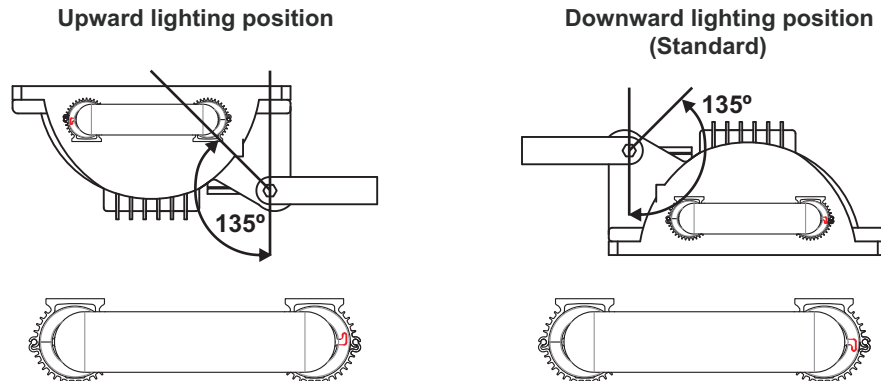


MOUNTING



Upward/Downward Position

Maximum angle per position



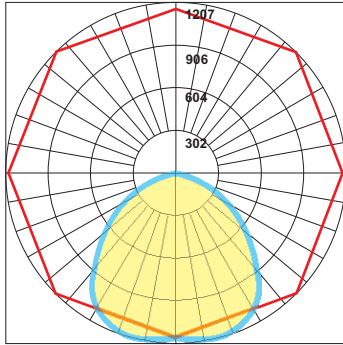
All dimensions are shown in inches (millimeters) unless otherwise noted.

FL01 Induction Floodlight Series

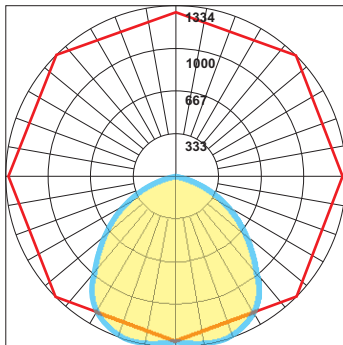
Photometric Data

IES files available upon request.

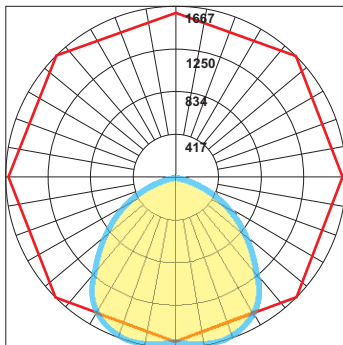
POLAR GRAPH



FL01-T070-G/M

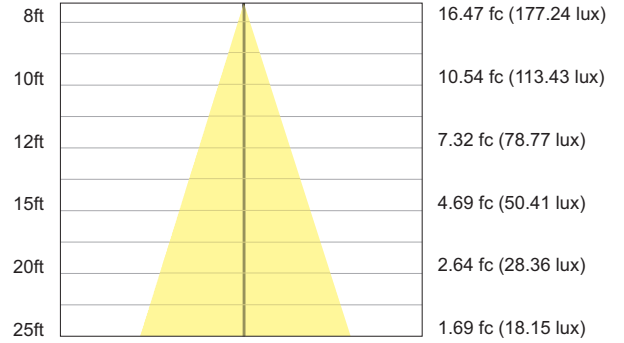


FL01-T080-G/M

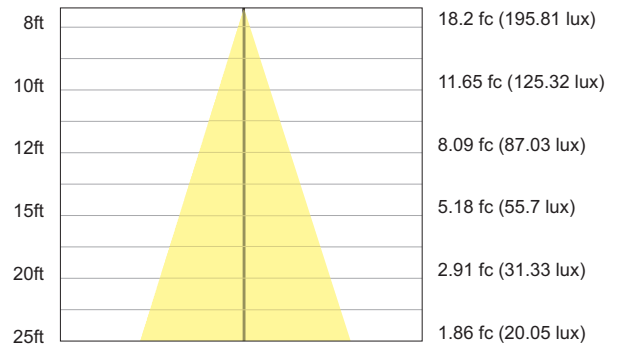


FL01-T100-G/M

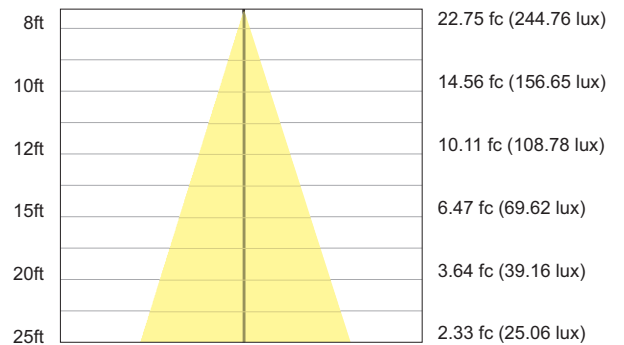
ILLUMINANCE AT DISTANCE



FL01-T070-G/M



FL01-T080-G/M



FL01-T100-G/M

Located At Horizontal Angle = 45, Vertical Angle = 15
 # 1 - Vertical Plane Through Horizontal Angles (45 - 225) (Through Max. Cd.)
 # 2 - Horizontal Cone Through Vertical Angle (15) (Through Max. Cd.)