

Basic Collection

EXPLOSION PROOF

Discontinued
Contact Fulham for availability. Not for use in new designs.



EP01 Induction Explosion Proof Series



PROFILE INDUCTION GENERATOR

CIRCULAR INDUCTION
70W – 80W

MOUNTING
8' TO 15'

DIMMING WATTAGES
CIRCULAR 70W - 80W



The **EP01 Induction Explosion Proof Series** can be used in a variety of applications including power generator station, steel work, water treatment plant and building. The Lamp compartment is fastened by eyelet bolt for easy maintenance. It comes with Prismatic Tempered Glass lens. The Induction system operates well in cold temperatures with an instant ON/re-strike capability. The long life and superior lumen maintenance of Induction significantly reduces maintenance costs and provides a significant reduction in the total cost of ownership.

APPLICATION -

- Generator Station
- Steel Work

CONSTRUCTION -

- Die-cast Aluminum Housing with Corrosion Resistant Coating
- Profile Generator
- Aluminum Finish

ELECTRICAL -

- Universal Voltage (120V – 277V)
- High Power Factor (>.95)
- Ambient Temperature Rating: -20°C to 40°C
- Input Frequency: 50/60 Hz
- Operating Frequency: 250 kHz
- Generator Type: Class P Type 1 outdoor, IP43

LAMP TYPE/WATTAGES -

- Circular Induction Lamps Available: 70W, 80W
- Standard Kelvin Temperature is 5000K: Provides a Cooler Color Temperature
- CRI >80
- Vibration and Shock Resistant: No Filament

COMPLIANCE -

- UL listed – UL 1598 (E363375)
- cUL listed – UL 1598 (E363375)
- FCC Part 18-A

DIMMING INDUCTION GENERATOR SPECIFICATIONS -

- Dimming interface is electrically isolated for safety and reliability
- Dimmable Induction generator can work as a regular generator to drive the lamp at full range when the 0-10V interface is not connected.
- The output wattage is about 50% at 0-3VDC.
- The output wattage is dimmed from 100% to 50% at the 9-3VDC.
- Dimming wires: Violet (+), Gray (-)
- The output wattage is 100% at 9-10VDC.

OPTICS -

- Prismatic Tempered Glass Lens
- High Reflectance Aluminum Housing

WARRANTY -

- Five-year Limited Warranty

- Water Treatment Plant
- Building

- Prismatic Glass Lens
- Pendant Mount
- Standard Powder Coated Finish: Gray

- THD %: < 10%
- Pre-Wired Output Connector (Plug and Play)
- Constant Wattage Output With Less Than 3% Variance
- No Variation Over a Wide Range of Temperatures and Voltage Fluctuation

- Wide Range of Color Temperature Options 2700K – 6500K¹ Available
- Pre-Wired Input Connector
- Low Lumen Depreciation, >70% Lumen Maintenance at 60,000 Hours

- IP65: Suitable for Wet Location
- Surge Immunity – IEC 61000-4-5: Class 4
- Contact Fulham for Class/Division rating information

- The output wattage is at the 100% range when the system is power ON. If the system is set on a dim level then it will dim within 30 seconds.
- Shorting the two dimming wires (Violet and Gray) sets the system to the lowest dim level of 50%, acting as a bi-level dimming system.

- Type V Distribution

NOTE:
1 Consult with your sales representative for lead time.
2 Consult with your sales representative for availability.
3 Application option is only available for the Circular 70W, 80W, and 100W.
4. Dimming Generator, No Sensor included

Actual performance may differ as a result of end-user environment and application.
Note: Specifications subject to change without notice.

ORDERING OPTIONS

Lead times will vary depending on options selected. Consult with your sales representative.

TYPE	SERIES	LAMP	WATTAGE	LENS	MOUNTING	ORDERING OPTIONS
EP = EXPLOSION PROOF	01 = 01 SERIES	C = CIRCULAR	070 = 70W 080 = 80W	G = GLASS	E = PENDANT MOUNTED	M = 0-10V Dimming ⁴ BLANK = 5000K 27 = 2700K 30 = 3000K 40 = 4000K 60 = 6000K 65 = 6500K

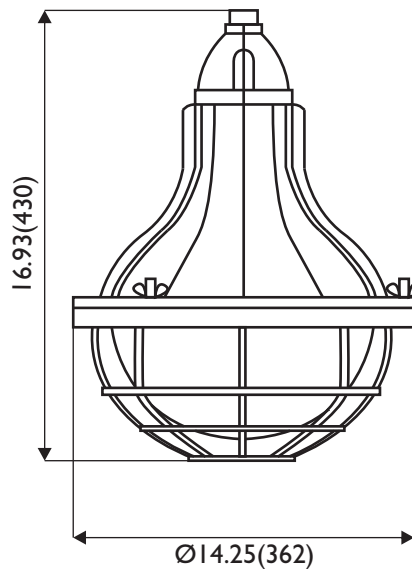
Example: EP-01-C080-GE (Explosion Proof 01 series Circular 80W lamp with Glass lens and Pendant Mounted)

ELECTRICAL CHARACTERISTICS

MODEL NO.	RATED WATTAGE (W)	INPUT POWER (W)	INPUT CURRENT 120V - 277V (AMP)	LAMP RATED INITIAL LUMINANCE (LM)	EFFICACY (LM/W)	LUMEN MAINTENANCE	COLOR RENDERING INDEX	CCT (KELVIN)
EP01-C070-GE/M	70	74	0.62 - 0.27	5250	70	70%-75%	> 80	5000
EP01-C080-GE/M	80	84	0.70 - 0.30	6000	70			

Mechanical Data

Front View

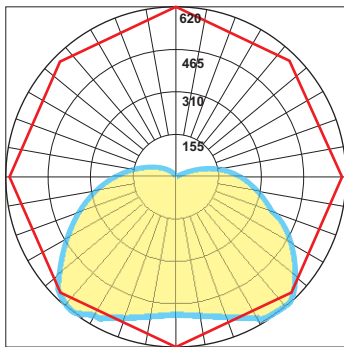


All dimensions are shown in inches (millimeters) unless otherwise noted.

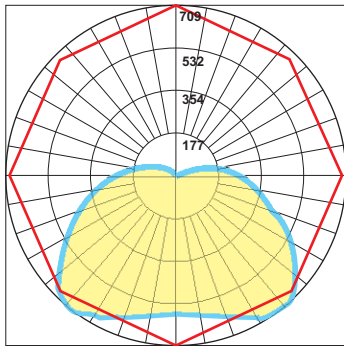
EP01 Induction Explosion Proof Series

Photometric Data
IES files available upon request.

POLAR GRAPH

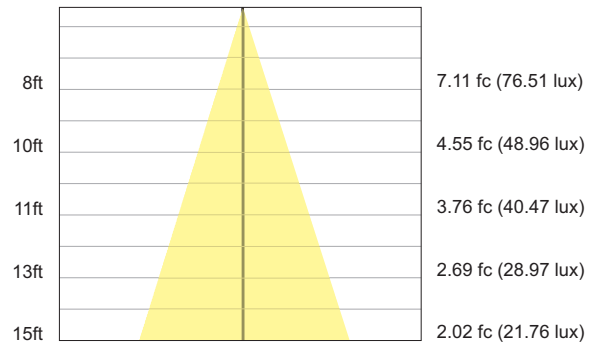


EP01-C070-GE/M

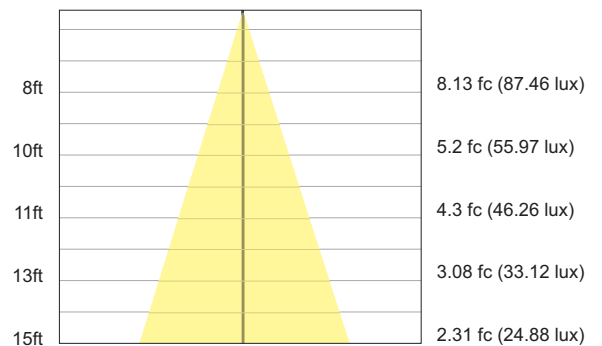


EP01-C080-GE/M

ILLUMINANCE AT DISTANCE



EP01-C070-GE/M



EP01-C080-GE/M