

CN02 Induction Canopy Series



The **CN02 Induction Canopy Series** can be used in a variety of commercial applications including parking structures, convenience stores, gas stations, banks and pharmacy drive thru canopies. Optimized for heights of 8ft to 12ft. Available in a circular lamp type and two wattages. The long life and superior lumen maintenance of Induction significantly reduces maintenance costs and provides a significant reduction in the total cost of ownership.

APPLICATION -

- Parking Lot
- Parking Structure
- Intended use for Replacements of HID Parking Garage Canopies With Low Profile Requirements

- Gas Station
- Banks
- Pharmacy Drive Thru Canopies
- Convenience Stores

CONSTRUCTION -

- Corrosion Resistant Die Cast Aluminum Housing
- Low Profile Design
- Standard Powder Coated Finish: Dark Bronze
- Standard Mounting Option: Surface Mounted

- Heat and UV Resistant Prismatic Polycarbonate Lens
- Universal Mounting Knockouts Allows for a Quick and Straightforward Installation

ELECTRICAL -

- Universal Voltage (120V – 277V)
- High Power Factor (>.95)
- Ambient Temperature Rating: -20°C to 40°C
- Input Frequency: 50/60 Hz
- Constant Wattage Output With Less Than 3% Variance

- Operating Frequency: 250 kHz
- Ballast Type: Class P Type 1 outdoor
- THD %: < 10%
- Pre-Wired Output Connector (Plug and Play)
- Step Down Transformer Voltage: 347V/480V to 277V

LAMP TYPE/WATTAGES -

- Circular Induction Lamps Available: 40W, 70W
- Standard Kelvin Temperature is 5000K: Provides a Cooler Temperature
- Wide Range of Color Temperature Options 2700K – 6500K Available

- Pre-Wired Input Connector
- Low Lumen Depreciation, >70% Lumen Maintenance at 60,000 Hours

COMPLIANCE -

- UL listed – UL 1598 (E363375)
- cUL listed – UL 1598 (E363375)
- FCC Part 18-A

- IP43: Suitable for Damp Location
- Surge Immunity – IEC 61000-4-5: Class 4

DIMMING INDUCTION GENERATOR SPECIFICATIONS -

- Dimming interface is electrically isolated for safety and reliability
- Dimmable Induction generator can work as a regular generator to drive the lamp at full range when the 0-10V interface is not connected.
- The output wattage is about 50% at 0-3VDC.
- The output wattage is dimmed from 100% to 50% at the 9-3VDC.
- Dimming wires: Violet (+), Gray (-)
- The output wattage is 100% at 9-10VDC.

- The output wattage is at the 100% range when the system is power ON. If the system is set on a dim level then it will dim within 30 seconds.
- Shorting the two dimming wires (Violet and Gray) sets the system to the lowest dim level of 50%, acting as a bi-level dimming system.

OPTICS -

- Specular Polished Surface Reflector Finish
- Precision Formed Aluminum Reflector: Total Reflectivity of 87%

- Glare Reduction Lens
- Type V Distribution

WARRANTY -

- Five-year Limited Warranty

PROFILE INDUCTION GENERATOR

CIRCULAR INDUCTION
40W – 70W

MOUNTING HEIGHT
8' TO 12'

DIMMING WATTAGES
CIRCULAR 40W-70W



Actual performance may differ as a result of end-user environment and application.
Note: Specifications subject to change without notice.

NOTE:
1 Consult with your sales representative for lead time.
2 Consult with your sales representative for availability.
3 Application option is only available for the Circular 70W
4. Dimming Generator, No Sensor included

ORDERING OPTIONS

Lead times will vary depending on options selected. Consult with your sales representative.

TYPE	SERIES	LAMP	WATTAGE	LENS	MOUNTING	ORDERING OPTIONS
CN = CANOPY	02 = 02 SERIES	C = CIRCULAR	040 = 40W 070 = 70W	P = POLYCARBONATE	BLANK = SURFACE MOUNTED E = PENDANT MOUNTED ¹	M = 0-10V Dimming ⁴ BLANK = 5000K 27 = 2700K 30 = 3000K 40 = 4000K 60 = 6000K 65 = 6500K

Example: CN-02-C040-P (Canopy 02 series Circular 40W lamp with Polycarbonate)

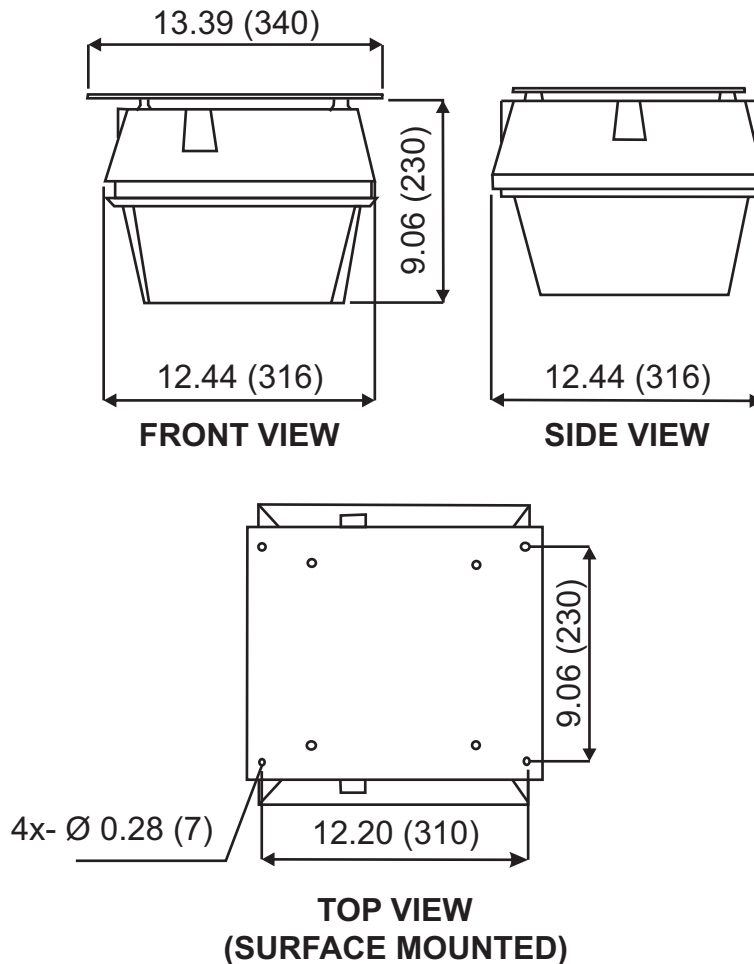
ACCESSORIES

DESCRIPTION:	PART NUMBERS:
STEP DOWN TRANSFORMER	
35W-100W	HH-ILS-SD1-125VA
FIREHORSE HOTSPOT³	
DRIVER:	FHS1-UNV-3.6L
LED CLUSTER:	FHS5-AR-6W-CL
BATTERY OPTIONS:	FHSBATT3-C3 (90 min.), FHSBATT3-D4 (125 min.), FHSBATT3-F7 (235 min.)

ELECTRICAL CHARACTERISTICS

MODEL NO.	RATED WATTAGE (W)	INPUT POWER (W)	INPUT CURRENT 120V - 277V (AMP)	LAMP RATED INITIAL LUMINANCE (LM)	EFFICACY (LM/W)	LUMEN MAINTENANCE	COLOR RENDERING INDEX	CCT (KELVIN)
CN02-C040-P/M CN02-C040-P-E/M	40	42	0.35 - 0.15	3000	70	70%-75%	> 80	5000
CN02-C070-P/M CN02-C070-P-E/M	70	74	0.62 - 0.27	5250				

Mechanical Data

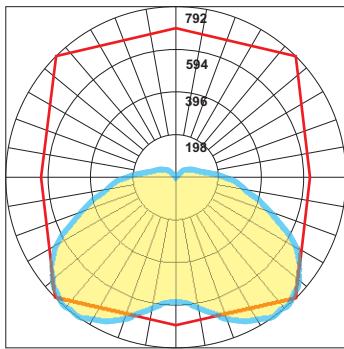


(Cord Length : 13")

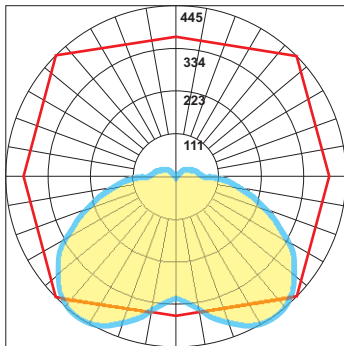
All dimensions are shown in inches (millimeters) unless otherwise noted.

Photometric Data
IES files available upon request.

POLAR GRAPH

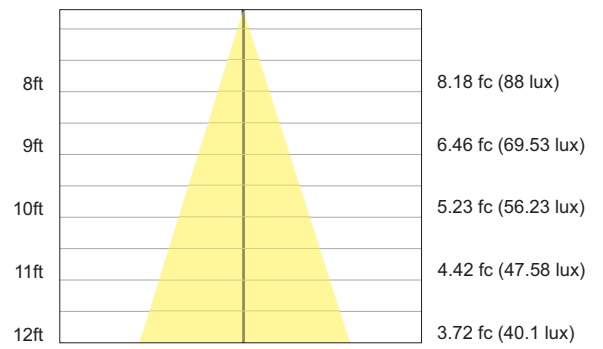


CN02-C070-P/M

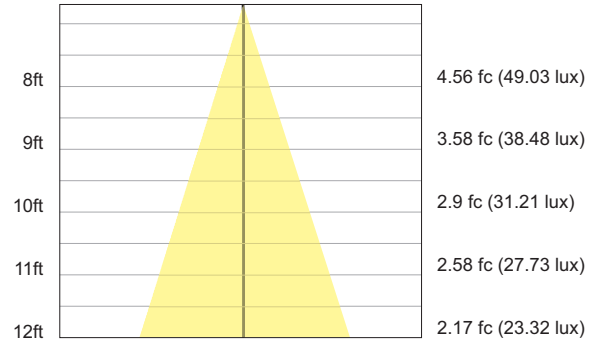


CN02-C040-P/M

ILLUMINANCE AT DISTANCE



CN02-C070-P/M



CN02-C040-P/M

Located At Horizontal Angle = 45, Vertical Angle = 40
 # 1 - Vertical Plane Through Horizontal Angles (45 - 225) (Through Max. Cd.)
 # 2 - Horizontal Cone Through Vertical Angle (40) (Through Max. Cd.)