



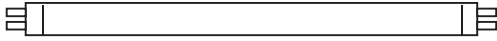
Discontinued
Contact Fulham for availability. Not for use in new designs.

SPECIFICATION SHEET : WHCG5- 220- T12- RS- L

This Is An Original Product From Fulham Electronic Co., Ltd

Description : WORKHORSE Commercial Grade Series Electronic Ballast, Drop In Replacement for Magnetic Ballast, Parallel Lamp Operation, THD Less Than 25%

This Ballast Will Operate Following Lamps.

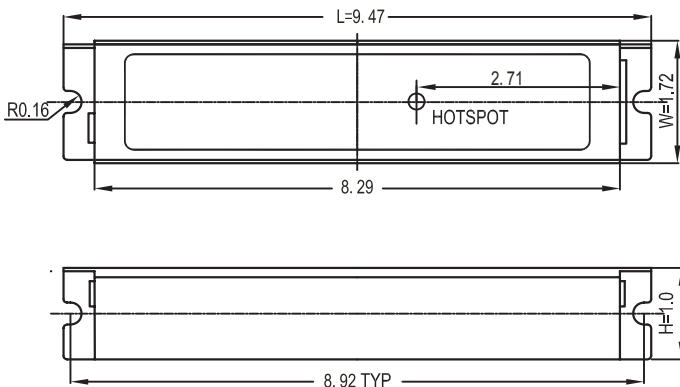


F36T8 / F40T12

ELECTRICAL DATA

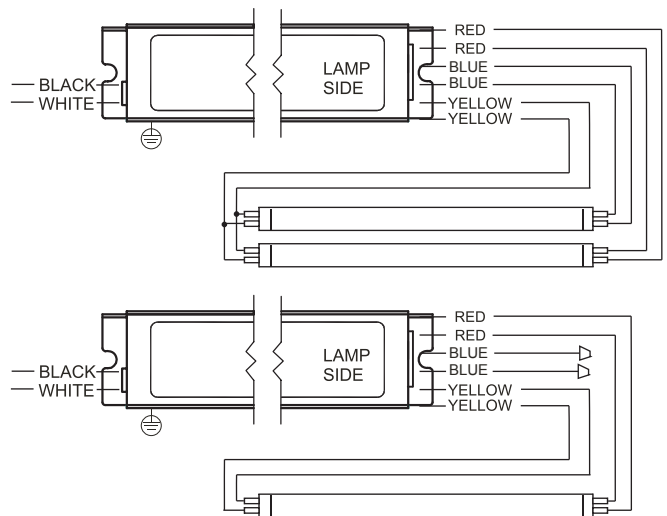
INPUT VOLT: 220V ± 10%, 50/60Hz			
LAMP WATTS/TYPE	F36 T8		F40 T12
LAMPS OPERATED	1	2	2
INPUT WATTS	36W	66W	68W
LINE CURRENT	0.169A	0.306A	0.311A
POWER FACTOR	>0.85		
BALLAST FACTOR	0.9		
EFFICIENCY	>88%		
THD	<25%		
CURRENT CREST FACTOR	< 1.7		
EMI/RFI COMPLIANCE	-		
SOUND RATING	-		
BALLAST TYPE	RAPID START		
VOLTAGE TRANSIENTS	-		
INPUT/PROTECTION	FUZE		
OUTPUT/PROTECTION	EOL		
MIN. OPERATING TEMP	- 10 °C (14 ° F)		
MAX. CASE TEMP	75 °C (167 ° F)		
ENERGY STAR 4.0	-		
APPROVALS/CLASS	-		

MECHANICAL DATA



Where : L = Length, W = Width, H = Height

WIRING DIAGRAMS



NOTE : This Ballast Must Be Grounded

Fulham Electronic Co., Ltd extends limited warranty only to the original purchaser or to the first user for the period of **3 years** from the date of manufacture when properly installed and under normal conditions of use.

DUE TO A PROGRAM OF CONTINUOUS IMPROVEMENT, FULHAM ELECTRONIC Co.,LTD RESERVES THE RIGHT TO MAKE ANY VARIATION IN DESIGN OR CONSTRUCTION TO THE EQUIPMENT DESCRIBED.

Address : 12705 South Van Ness Ave. , Hawthorne CA 90250, U. S. A Tel.:323-599-5001 Website: www.fulham.com