

**Description:** 12.6 W Square LED Module / 95X95mm / 36LEDs / S12 P3

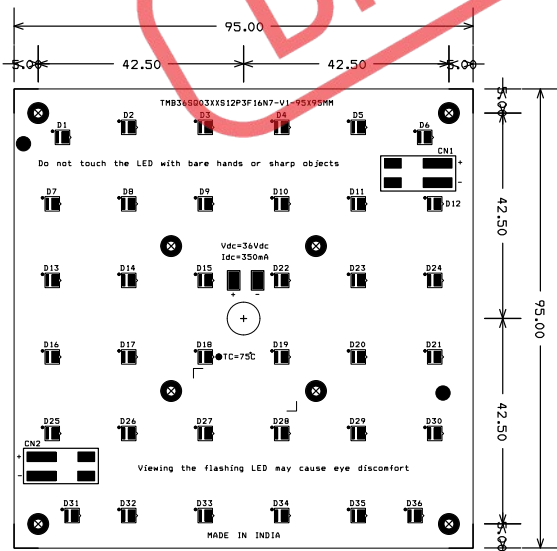
**This LED Module Should be Operated On:**

Any LED Driver designed to provide output Current of 350mA and Voltage 36Vdc

**ELECTRICAL DATA**

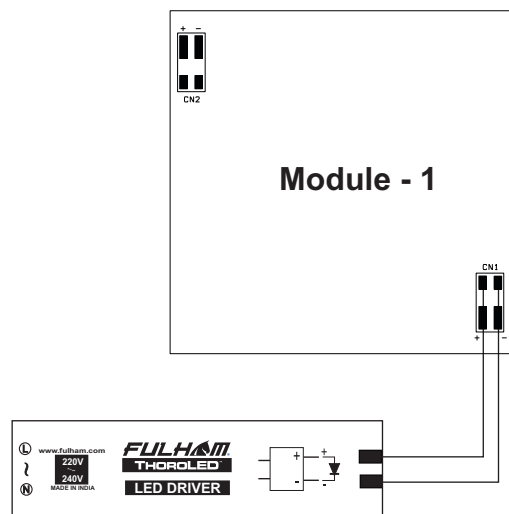
NOMINAL INPUT VOLTAGE (V <sub>DC</sub> )	36
NOMINAL INPUT CURRENT (mA)	350
NOMINAL POWER CONSUMPTION(W)	12.6
PCB SIZE (mm)	SQUARE 95x95MM
PCB MATERIAL TYPE	FR-4
CCT	5700K / 4000K / 2700K
CALCULATED USABLE ARRAY FLUX (lm)	1820 / 1780 / 1550
RECOMMENDED ATTACHMENT METHOD	M3 Pan Head Screw
WEIGHT (gm)	30
MAXIMUM STORAGE TEMPERATURE (°C)	-40 to 100
MAXIMUM OPERATING AMBIENT TEMPERATURE (°C)	-35 to 50
MAXIMUM T <sub>c</sub> (°C)	75
BEAM ANGLE	115°
CRI (Typ)	70

**MECHANICAL DATA**



SYM	DIAM	TOL	QTY	NOTE
x	4.000 mm		4	
+	8.000 mm		2	
TOTAL			6	

**WIRING DIAGRAMS**



Driver must be grounded (if applicable).

Fulham extends a limited warranty only to the original purchaser or to the first user for a period of 3 years from the date of manufacture when properly installed and operated under normal conditions of use. For complete terms and conditions, please reference the Fulham product catalog ([www.fulham.com](http://www.fulham.com))  
**Due to a program of continuous improvement, Fulham reserves the right to make modifications or variations in design or construction to the equipment described. © Fulham Company Limited, All Rights Reserved.**