

Description : CCT Tuneable Dual Channel Controller 60W/1Amp (SPLITTER)

This Module Will Operate The Following LED Driver :

Any LED Driver designed for current range of 350-1000mA and a voltage range of 24-60VDC.

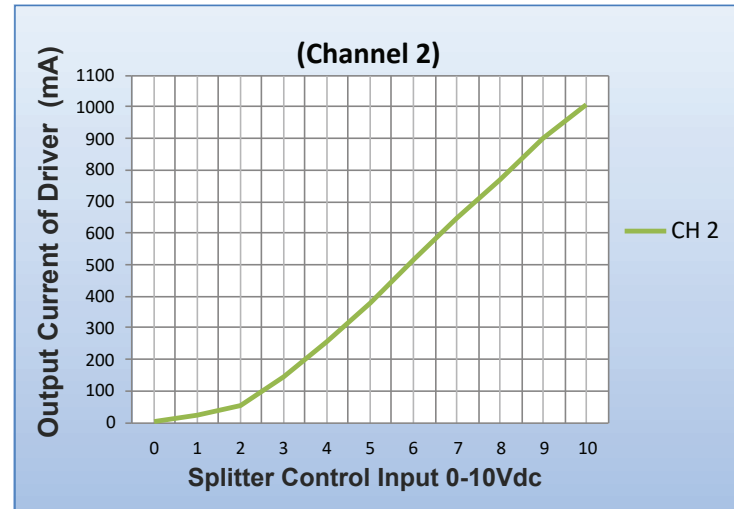
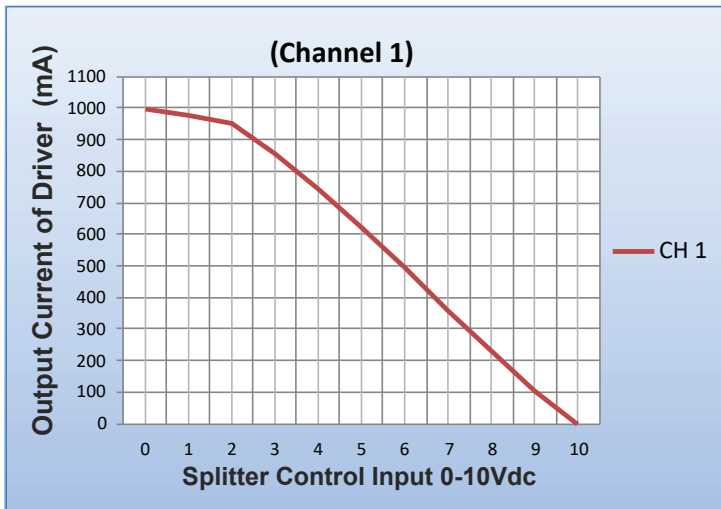
ELECTRICAL DATA

SPLITTER INPUT VOLTAGE RANGE	24 - 60Vdc Max
SPLITTER INPUT CURRENT RANGE	350-1000mA Max
NUMBER OF OUTPUT CHANNELS	2 (can not used for Single Channel & Imbalance loads)
OUTPUT TYPE	CONSTANT CURRENT
SPLITTER WATTAGE CONSUMPTION	2W Max
CCT CONTROLLER TYPE	0-10V (Analog)
CONTROLLER RANGE	0-100%
MAX CASE TEMPERATURE (Tc Max)	52°C
OPERATING TEMPERATURE	-10°C to 50°C
CASE MATERIAL	METAL (CRCA POWDER COATED)
IP RATING	IP 54

CIRCUIT PROTECTION

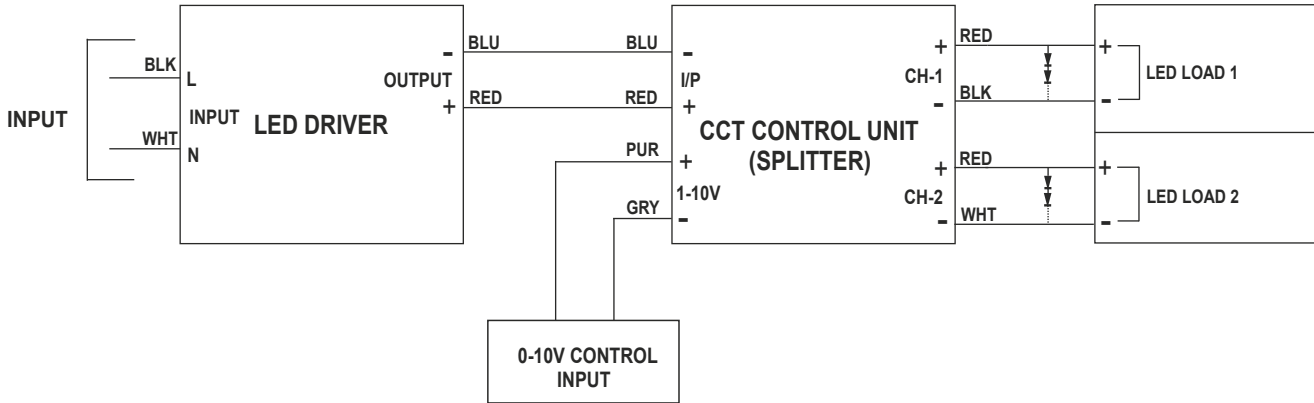
REVERSE POLARITY PROTECTION FOR 1-10Vdc	YES
SHORT CIRCUIT PROTECTION FOR 1-10Vdc	N.A.
SURGE PROTECTION	N.A.
INPUT OVER CURRENT PROTECTION	N.A.
INPUT OVER VOLTAGE PROTECTION	N.A.
INPUT UNDER VOLTAGE PROTECTION	N.A.
OUTPUT SHORT CIRCUIT PROTECTION	N.A.
OUTPUT TO GROUND SHORT PROTECTION	N.A.
OUTPUT OVERLOAD PROTECTION	N.A.

SPLITTER OUTPUT CURRENT GRAPH

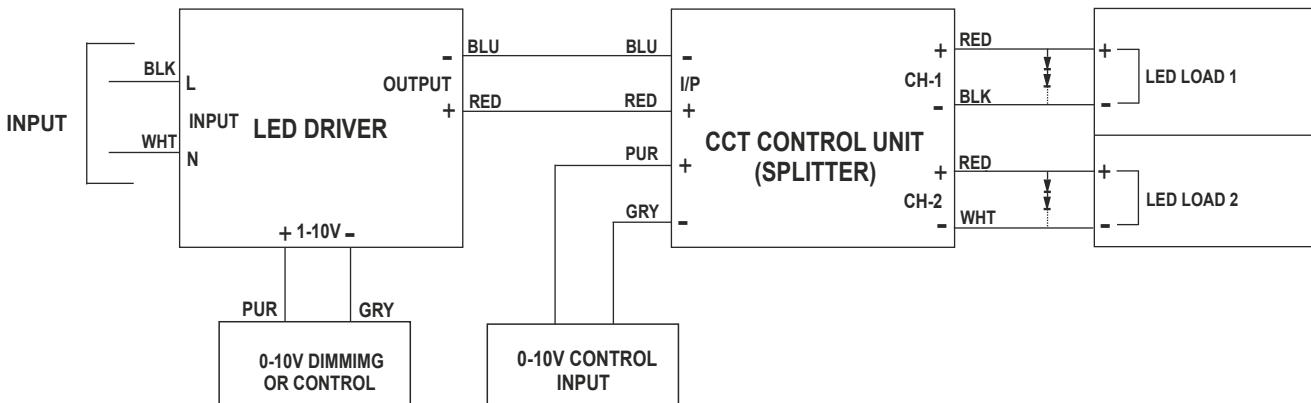


Wiring Diagram :

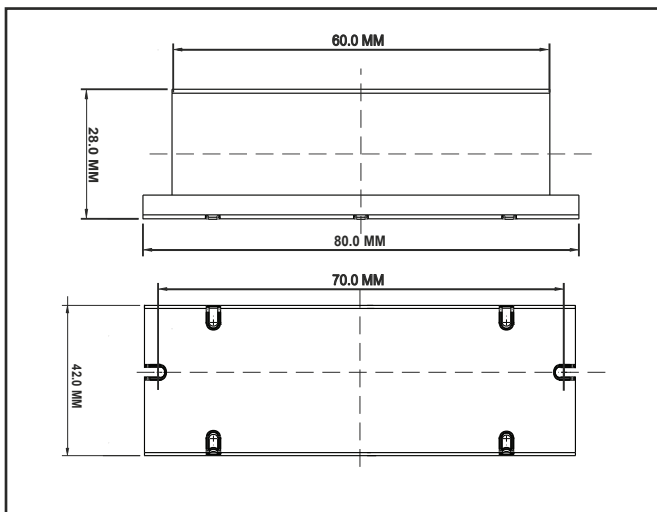
1. For Non-Dimmable LED Driver :



2. For Dimmable LED Driver :



MECHANICAL DATA



WIRING DETAILS

INPUT SIDE	LENGTH
RED (+)	300 mm
BLUE (-)	300 mm

CONTROL I/P	LENGTH
PURPLE (+)	300 mm
GREY (-)	300 mm

OUTPUT CH	LENGTH
RED (Ch1 +)	300 mm
BLACK (Ch1 -)	300 mm
RED (Ch2 +)	300 mm
WHITE (Ch2 +)	300 mm

Installation Instructions: Keep proper ventilation around the LED Driver and do not stack any object on it. Also a 10-15 cm clearance must be kept when the adjacent device is a heat source. Do not exceed the declared Hot spot temperature(Tc max) under any circumstances.

Fulham extends a limited warranty only to the original purchaser or to the first user for a period of **03 years @ Tc 52°C** from the date of manufacture when properly installed and operated under normal conditions of use. For complete terms and conditions, please reference the Fulham Product Catalog (www.fulham.com). Due to a program of continuous improvement, Fulham reserves the right to make modifications or variations in design or construction to the equipment described. © Fulham Company Limited, All Rights Reserved.