

Description: 53W Constant Current LED Driver, Single Channel, 24-38V, 1.40A (Non Dimmable)

This Driver Will Operate The Following LED Modules:

Any LED module designed to accept 1400mA and a voltage of 24-38VDC.

ELECTRICAL DATA

RATED INPUT VOLTAGE	240 VAC, 50/60Hz
OPERATING INPUT VOLTAGE RANGE	100 VAC~300 VAC, 50/60Hz
OPTIMUM PERFORMANCE INPUT VOLTAGE RANGE	216 VAC~254VAC, 50/60Hz
INPUT CURRENT	0.26A MAX
POWER FACTOR	0.99
ATHD	10%
EFFICIENCY	>86%
INPUT POWER	62W MAX
OUTPUT TYPE	CONSTANT CURRENT
OUTPUT CURRENT	1400mA
OUTPUT VOLTAGE	24~38 VDC
OUTPUT POWER	53W
NUMBER OF OUTPUT CHANNELS	1
EMI	N.A
DIMMING CONTROLLER TYPE	N.A
DIMMING RANGE	N.A
MAX.CASE HOT SPOT TEMPERATURE (Tc MAX)	80°C
OPERATING TEMPERATURE	-25°C TO 50°C
APPROVALS CLASS (CONFORMING TO)	SELV equivalent
HOT PLUG - IN	YES
CASE MATERIAL	METAL (CRCA POWDER COATED)
WEIGHT	0.61 KG

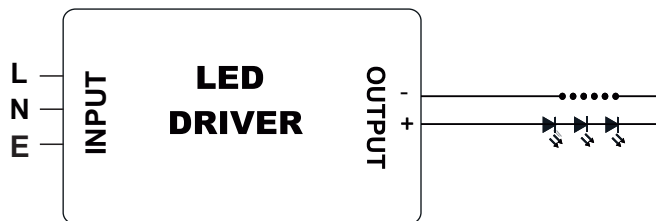
CIRCUIT PROTECTION

SURGE PROTECTION	LINE-NEUTRAL 4kV, LINE & NEUTRAL-EARTH 4kV
INPUT OVER CURRENT PROTECTION	NON-RESETTABLE
INPUT OVER VOLTAGE	APPLICATION @ 320 VAC 48 HRS. & @ 360VAC 2 HRS.
INPUT UNDER VOLTAGE	N.A
OUTPUT SHORT CIRCUIT PROTECTION	AUTORECOVERY (HICCUP MODE)
OUTPUT OPEN CIRCUIT PROTECTION	AUTORECOVERY (HICCUP MODE)
OUTPUT TO GROUND SHORT PROTECTION	AUTORECOVERY (HICCUP MODE)
OUTPUT OVERLOAD PROTECTION	AUTORECOVERY (HICCUP MODE)
OVER TEMPERATURE PROTECTION	ABOVE Tc
Note: All performance specified at Rated voltage and full load. Output current tolerance: ±5%	
The usage of appropriate SURGE PROTECTIVE DEVICE (SPD) is MANDATORY for Outdoor drivers.	

WIRING DIAGRAMS

INPUT SIDE	LENGTH
BLACK	300 mm
WHITE	300 mm
GREEN	300 mm

OUTPUT SIDE	LENGTH
RED	300 mm
BLUE	300 mm
Output wire with Terminal: N. A.	

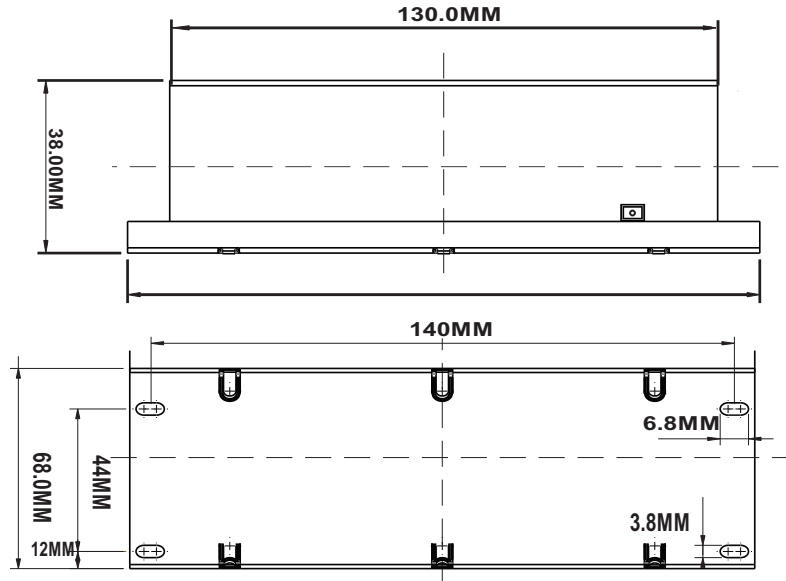


Installation Instructions: Keep proper ventilation around the LED Driver and do not stack any object on it. Also a 10-15 cm clearance must be kept when the adjacent device is a heat source. Do not exceed the declared Hot spot temperature(Tc max) under any circumstances.

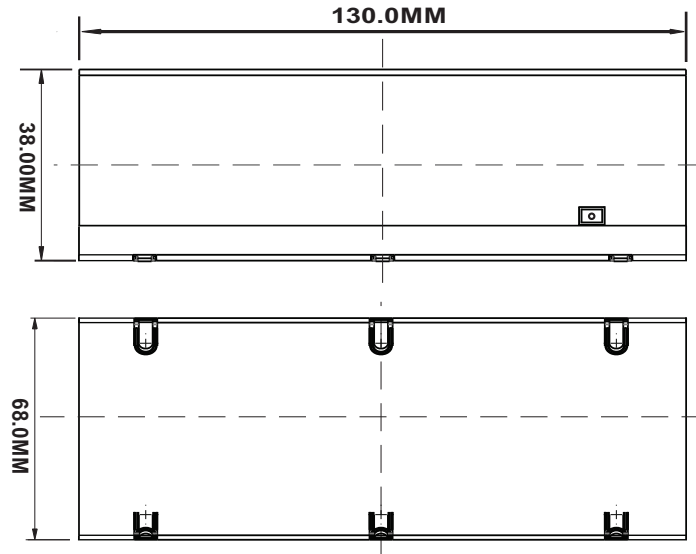
Fulham extends a limited warranty only to the original purchaser or to the first user for a period of 3 years from the date of manufacture when properly installed and operated under normal conditions of use. For complete terms and conditions, please reference the Fulham product catalog (www.fulham.com)
Due to a program of continuous improvement, Fulham reserves the right to make modifications or variations in design or construction to the equipment described. © Fulham Company Limited, All Rights Reserved.

MECHANICAL DATA

A. Cabinet With Mounting



B. Cabinet Without Mounting



Note : All Dimensions are in mm. Tolerance=±0.5mm

Installation Instructions: Keep proper ventilation around the LED Driver and do not stack any object on it. Also a 10-15 cm clearance must be kept when the adjacent device is a heat source. Do not exceed the declared Hot spot temperature(Tc max) under any circumstances.

Fulham extends a limited warranty only to the original purchaser or to the first user for a period of 3 years from the date of manufacture when properly installed and operated under normal conditions of use. For complete terms and conditions, please reference the Fulham product catalog (www.fulham.com)
Due to a program of continuous improvement, Fulham reserves the right to make modifications or variations in design or construction to the equipment described. © Fulham Company Limited, All Rights Reserved.