

- Constant Current LED Driver
- Output Wattage: 77W
- Input Voltage: 240±15%VAC, 50Hz
- Output Current: 700mA ±5%
- CRCA enclosure with Wires
- Output voltage range of 60-110VDC
- Suitable for Dry and Damp Locations
- 440Vac application @ 8Hrs
- Surge Immunity 5KV/5KV
- OVP and UVP Cut-off
- IP 54

General Specifications

Rated Input Voltage	240VAC ±15%, 50 Hz
Operating Input Voltage Range	110-320VAC, 50 Hz
Input Current	0.480 A Max.
Input Power	96W Max.
Power Factor	>0.95
THD	<10%
Efficiency	>88% (across Line & Load range)
Driver Type	Isolated Class I & Class II (IEC 61140)
Output Current	700mA ±5% (Refer Table A for Lower Current)
Output Voltage Range	60-110VDC
Output Power	77W
Number of Output Channels	1 Channel
Dimming Controller Type/Dimming Range	NA
Output Type	Constant Current
Ambient Operating Temperature Range	-25°C to 50°C
Max. Case Temperature	80°C Max.
Input Surge Protection	Line-Neutral 5kV, Line & Neutral-Ground 5kV
Protections	Input Over Current : NON-Resettable
	Input Over Voltage : Shutdown @ >325Vac, Auto recovery @ 300-315Vac, 440Vac for 8 hours @ 50°C, 320Vac for 48 hours @ 50°C
	Input Under Voltage : Shutdown < 95Vac, Auto recovery 100Vac to 110Vac
	Output Short Circuit : Auto recovery
	Output to Ground short : Auto recovery
	Output Overload : Limited by maximum Output Voltage
Over Temperature : Latch Mode at Case Temp. (Tc) ≥80°C	
Service Life	50,000 hours @ Tc Max
Approvals / Class	Class I (IEC 61140), Dry and Damp Locations, IP 54
	EN 61347-2-13
	EN 62384
Warranty	3 Years
Weight	0.640 Kg

Note : The usage of a compatible SPD is mandatory for outdoor application.

Recommended Fulham SPD - SPD1230S5A5K54

CAUTION :- The LED driver uses crowbar devices for surge protection. As such, high voltage electrical strength test should not be done with the driver wired into the luminaire. Typically, the driver would trip any voltage over 850 (Vpk), applied between any of the supply wires and the chassis. For certification purposes, special samples shall be provided for type testing, with the said component removed.

Table A :

Iout (mA)	Pout (W)	Iin (A)
700mA	77W	0.48
650mA	71.5W	0.45
600mA	65W	0.41
550mA	60.5W	0.38
500mA	55W	0.34

At Full Load Voltage.

Fulham extends a limited warranty only to the original purchaser or to the first user for a period of **3 years @ Tc 80°C** from the date of manufacture when properly installed and operated under normal conditions of use. For complete terms and conditions, please reference the Fulham Product Catalog (www.fulham.com). Due to a program of continuous improvement, Fulham reserves the right to make modifications or variations in design or construction to the equipment described. © Fulham Company Limited, All Rights Reserved.



Figure 1

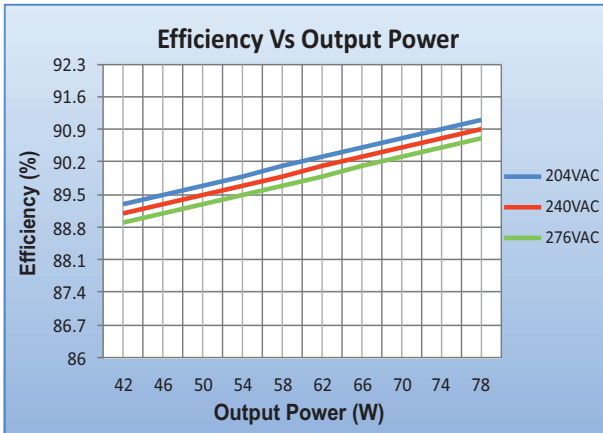


Figure 2

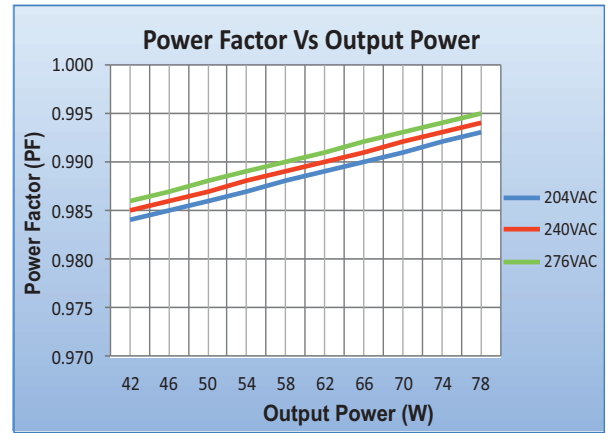


Figure 3

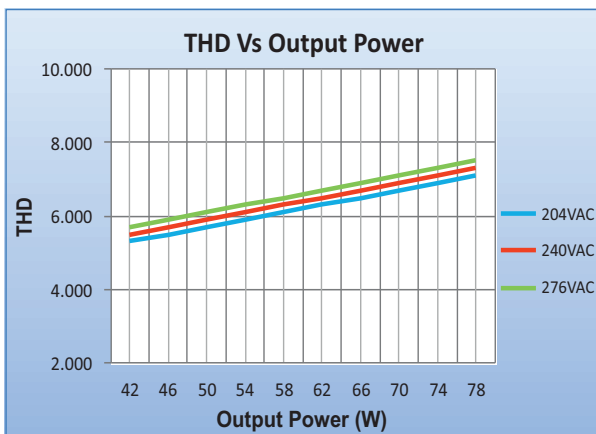


Figure 4

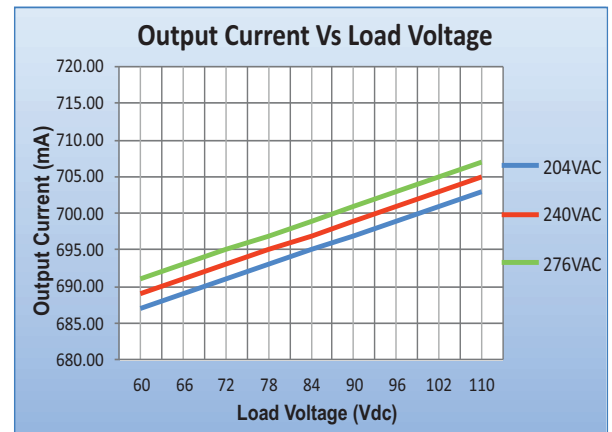
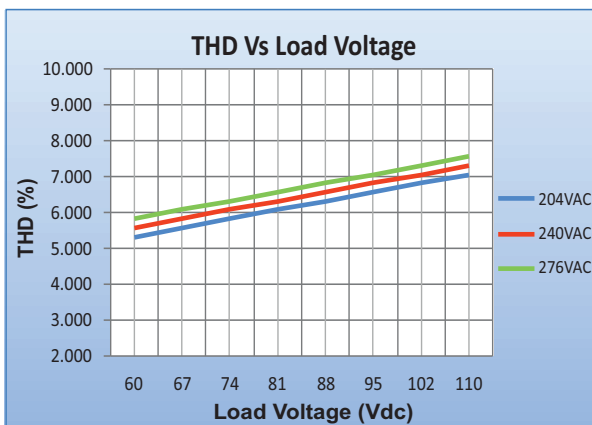


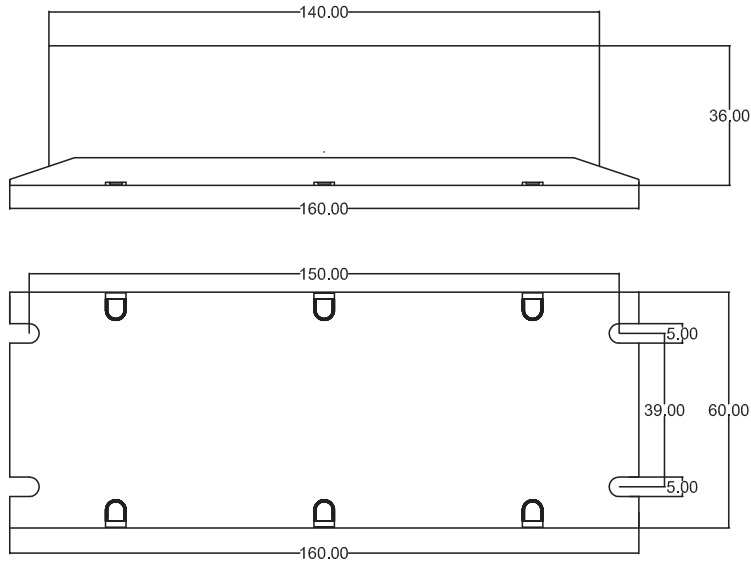
Figure 5



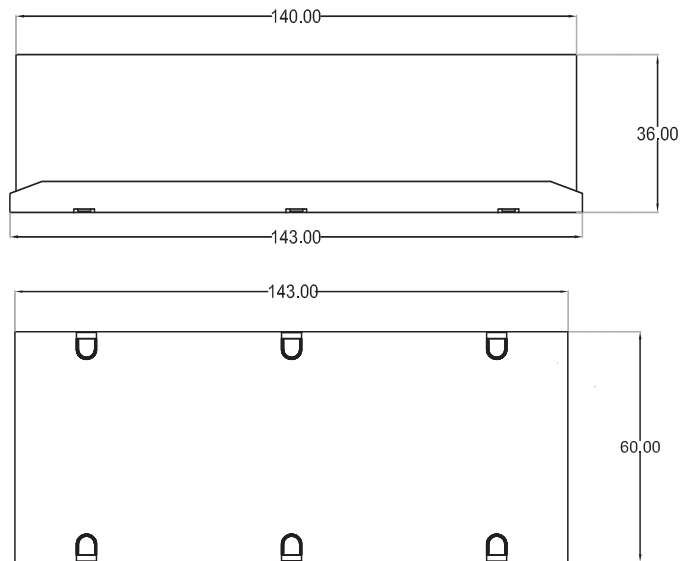


Mechanical Data

A. Cabinet With Mounting

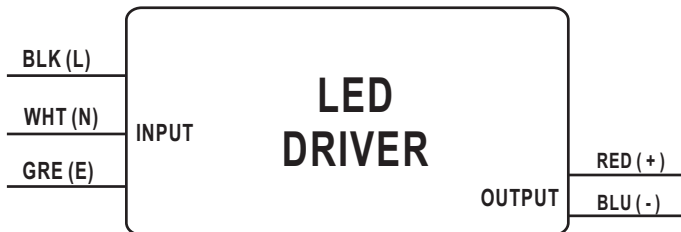


B. Cabinet Without Mounting (Optional)



Note : All Dimensions are in mm. Tolerance=±0.5mm

Wiring Diagrams



INPUT SIDE	LENGTH	OUTPUT SIDE	LENGTH
BLACK (L)	300±5mm	RED (+)	300±5mm
WHITE (N)		BLUE (-)	
GREEN (E)			

Installation Instructions:

Connect Wires as per details given on the Driver Screen. Keep proper ventilation around the LED Driver and do not stack any object on it. Also a 10-15 cm clearance must be kept when the adjacent device is a heat source. Do not exceed the declared Hot spot temperature(Tc max) under any circumstances.

Fulham extends a limited warranty only to the original purchaser or to the first user for a period of **3 years @ Tc 80°C** from the date of manufacture when properly installed and operated under normal conditions of use. For complete terms and conditions, please reference the Fulham Product Catalog (www.fulham.com). Due to a program of continuous improvement, Fulham reserves the right to make modifications or variations in design or construction to the equipment described. © Fulham Company Limited, All Rights Reserved.