

**Description :** Series connected Class II Thermally protected surge protective device (5KA nominal discharge current)

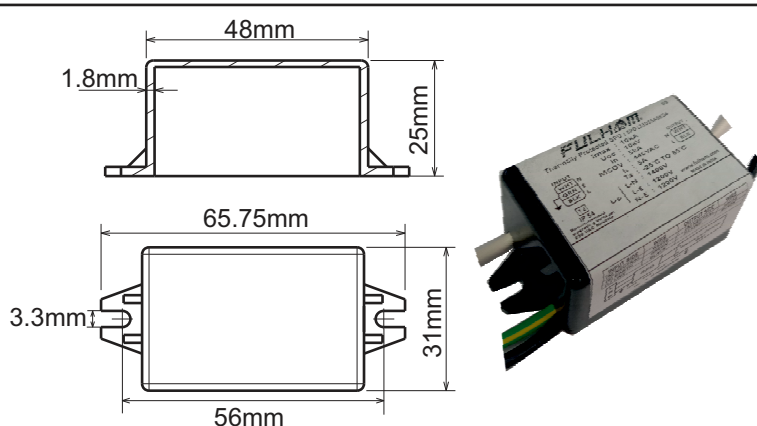
**Intended Operation:** Any Electronic control gear having input current rating upto 5A and operating voltage maximum 230Vac.

### Device Rating and Specifications

RECOMMENDED MAX.OPERATING VOLTAGE	360Vac
MAXIMUM CONTINUOUS OPERATING VOLTAGE(MCOV)	440Vac
NOMINAL DISCHARGE CURRENT (In)	5KA (15 impulses of discharge current using 8/20us current waveform)
MAXIMUM DISCHARGE CURRENT (Imax)	10KA (single impulse of discharge current using 8/20us current waveform.)
TYPE	Test Class II (IEC 61643-11-2)
VOLTAGE PROTECTION LEVEL(U <sub>p</sub> )	L-N:1400, L-E: 1400, N-E: 1200
CONNECTION TYPE	SERIES
EOL INDICATION	NO INDICATION
EOL PROTECTION	YES ; THERMAL CUTOFF
IP RATING (CONFORMING TO)	IP 54
NO. OF PORTS	TWO
LOCATION CLASS	OUTDOOR
MOUNTING METHOD	FIXED
TEMPORARY OVER VOLTAGE (TOV)	440Vac
MAXIMUM LOAD CURRENT (I <sub>L</sub> )	5A
HUMIDITY RANGE	5% TO 95%
OPERATING TEMPERATURE (T <sub>a</sub> )	-25 TO +85 °C
STORAGE TEMPERATURE	-25 TO +85 °C
APPROVAL CLASS (CONFORMING TO)	IEC 61643-11-2

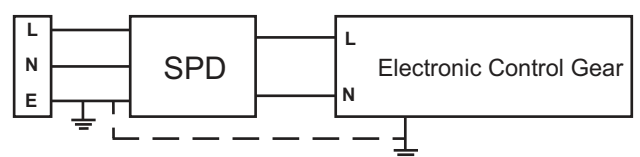
Note: ALL ABOVE SPECIFIED RATINGS ARE ABSOLUTE MAXIMUM RATINGS; STRESS ABOVE THESE RATINGS MAY CAUSE PERMANENT DAMAGE TO THE DEVICE.

### MECHANICAL DATA



### WIRING DIAGRAMS

INPUT SIDE	LENGTH	OUTPUT SIDE	LENGTH
(L) BLACK	100MM	BLACK (L)	100MM
(N) WHITE		WHITE (N)	
(E) GREEN			



**Installation Instructions:** Should be used with single phase TN-S distribution systems.

**CAUTION :** Fulham India Pvt Ltd will not be responsible in any failure while using Fulham SPD with non-Fulham driver.

Customer Should check SPD compatibility before using it with any non Fulham Driver.

Due to a program of continuous improvement, Fulham reserves the right to make modifications or variations in design or construction to the equipment described. © Fulham Company Limited, All Rights Reserved.