



FULHAM ELECTRONIC BALLASTS FOR UV & GERMICIDAL APPLICATIONS

provide a low-maintenance, energy-efficient solution for germicidal ultraviolet lighting applications, including water purification, air purification and surface disinfection.

Advantages of Fulham SunHorse™ Ballasts:

- Multi-lamp operation: Up to 6 lamps can be run off one ballast
- Dimming and non-dimming options are available
- The extended lamp life that these ballasts promote lowers maintenance costs
- Compatible with a wide range of lamp types and configurations



COMMON SPECIFICATIONS

Frequency	50/60Hz
Protection Output	Yes
Protection Input	Fuse / MOV
Over Current	Yes
Transient Protection	C62,41 Class A7 Strikes
EMI	FCC Part 18 non-consumer
Regulatory Approvals	UL/cULus as indicated Below
Class P Inherent	Type 1 Outdoor
Thermal Protection	-
Sound Rating	"A"



Models	Operating Voltage	Output Current for Program Start models	Rated Max. Load	Min. Operating Temp.	Max Case Temp.	Ballast Dimensions	Certifications
SunHorse Ballast							
SHS1-UNV-C-I *	120-277VAC	425mA	42W	0°F (32°C)	75°F (70°C)	L 5.05", W 2.36", H 1.00"	cULus
SHS5-024-C	24VAC	425mA	42W	0°F (32°C)	158°F (70°C)	L 3.64", W 3.12", H 1.01"	cULus
SHS2-MLT-L	120-240VAC	425mA	41W	0°F (32°C)	158°F (70°C)	L 5.87", W 1.50", H 1.04"	cULus
SHS3-MLT-L	120-240VAC	800mA	41W	-10°F (-14°C)	158°F (70°C)	L 5.87", W 1.50", H 1.04"	cULus
SHS10-UNV-H *	120-277VAC	1000mA	150W	0°F (32°C)	158°F (70°C)	L 10", W 2.6", H 1.26"	cULus
SHS11-UNV-H *	120-277VAC	800mA	190W	0°F (32°C)	158°F (70°C)	L 10", W 2.6", H 1.26"	cULus
SHS14-UNV-H *	120-277VAC	425mA	150W	0°F (32°C)	158°F (70°C)	L 10", W 2.6", H 1.26"	cULus
SHS15-UNV-H *	120-277VAC	800mA	310W	0°F (32°C)	158°F (70°C)	L 10", W 2.6", H 1.26"	cULus
FEP-120-600-L	120VAC	N/A	320W	-18°F (-0°C)	158°F (70°C)	L 19.25", W 3", H 1.25"	cULus
FEP-210-600-L	210VAC	N/A	320W	0°F (32°C)	158°F (70°C)	L 19.25", W 3", H 1.25"	cULus
FEP-230-600-L	230VAC	N/A	320W	-18°F (-0°C)	158°F (70°C)	L 19.25", W 3", H 1.25"	cULus
SHGS1 MID 2 200 L	208-240VAC	N/A	380W	0°F (32°C)	158°F (70°C)	L 12", W 3.11", H 1.73"	cULus



DIMMING FEATURES

OPTIONS AVAILABLE **Instant Start with 0-10V dimming control and linear (smooth) dimming from 100-70%.**

SHD21-230-L-I *	230VAC	320W	0°F (32°C)	158°F (70°C)	L 16.69", W 1.72", H 1.18"	cULus
---------------------------------	--------	------	------------	--------------	----------------------------	-------

*These models feature an indicator for lamp operation.



Models	Operating Voltage	Rated Max. Load	Min. Operating Temp.	Max Case Temp.	Ballast Dimensions	Certifications
WorkHorse Ballast						
WH1-120-L	120VAC	28W	0°F (-18°C)	158°F (70°C)	L 6", W 1", H .75"	UL
WH2-120-L	120VAC	35W	0°F (-18°C)	158°F (70°C)	L 5.5", W 1", H 1"	UL
WH2-120-C	120VAC	35W	0°F (-18°C)	158°F (70°C)	L 3.3", W 1.75", H 1"	UL
WH2-230-L	230VAC	35W	0°F (-18°C)	158°F (70°C)	L 5.5", W 1", H 1"	UL
WH2-277-L	277VAC	35W	0°F (-18°C)	158°F (70°C)	L 5.5", W 1", H 1"	UL
WH2-277-C	277VAC	35W	0°F (-18°C)	158°F (70°C)	L 3.3", W 2.3", H 1"	UL
WH3-120-L	120VAC	34W	0°F (-18°C)	158°F (70°C)	L 6.5", W 1.5", H 1"	UL
WH3-120-C	120VAC	64W	0°F (-18°C)	158°F (70°C)	L 3.8", W 2.5", H 1"	UL
WH3-230-L	230VAC	64W	0°F (-18°C)	158°F (70°C)	L 6.5", W 1.5", H 1"	UL
WH3-277-L	277VAC	64W	0°F (-18°C)	158°F (70°C)	L 6.5", W 1.5", H 1"	UL
WH3-277-C	277VAC	64W	0°F (-18°C)	158°F (70°C)	L 3.8", W 3.1", H 1"	UL
WH4-120-L	120VAC	70W	0°F (-18°C)	158°F (70°C)	L 6.5", W 1.5", H 1"	UL
WH5-120-L	120VAC	128W	0°F (-18°C)	158°F (70°C)	L 8.5", W 1.72", H 1"	UL
WH5-230-L	230VAC	128W	0°F (-18°C)	158°F (70°C)	L 9.5", W 1.72", H 1"	UL
WH5-277-L	277VAC	128W	0°F (-18°C)	158°F (70°C)	L 9.5", W 1.72", H 1"	UL
WH6-120-L	120VAC	128W	0°F (-18°C)	158°F (70°C)	L 8.5", W 1.72", H 1"	UL
WH6-277-L	277VAC	140W	0°F (-18°C)	158°F (70°C)	L 9.5", W 1.72", H 1"	UL



Models	Operating Voltage	Rated Max. Load	Min. Operating Temp.	Max Case Temp.	Ballast Dimensions	Certifications
WorkHorse Ballast						
WH7-120-L	120VAC	220W	0°F (-18°C)	158°F (70°C)	L 19.25", W 1.72", H 1"	UL
WH7-120-H	120VAC	220W	0°F (-18°C)	158°F (70°C)	L 11.75", W 3.25", H 1.25	UL
WH7-230-L	230VAC	220W	0°F (-18°C)	158°F (70°C)	L 19.25", W 1.72", H 1"	UL
WH8-120-L	120VAC	220W	0°F (-18°C)	158°F (70°C)	L 19.25", W 1.72", H 1"	UL
WH8-230-L	230VAC	220W	0°F (-18°C)	158°F (70°C)	L 19.25", W 1.72", H 1"	UL
WH22-120-L	120VAC	35W	0°F (-18°C)	158°F (70°C)	L 5.5", W 1", H 1"	UL
WH22-120-C	120VAC	35W	0°F (-18°C)	158°F (70°C)	L 3.3", W 1.75", H 1"	UL
WH33-120-L	120VAC	64W	0°F (-18°C)	158°F (70°C)	L 6.5", W 1.5", H 1"	UL
WH33-120-C	120VAC	64W	0°F (-18°C)	158°F (70°C)	L 3.82", W 3.1", H 1"	UL
WH41-UNV-L	120-277VAC	64W	0°F (-18°C)	158°F (70°C)	L 9.48", W 1.41", H 1.02	UL
WH43-UNV-L	120-277VAC	100W	0°F (-18°C)	158°F (70°C)	L 9.48", W 1.41", H 1.02	UL
WH44-UNV-L	120-277VAC	100W	0°F (-18°C)	158°F (70°C)	L 9.48", W 2.25", H 1.22	UL
WorkHorse Ballast						
RHA-UNV-226-C	120-277VAC	57W	-20°F (-30°C)	167°F (75°C)	L 5.1", W 2.4", H 1" (4.3" CASE)	cULus
SugarCube Ballast						
SC-120-287-CUV	120VAC	17W	32°F (-18°C)	158°F (70°C)	L 3.07", W 1.46", H 1"	cULus
SC-230-287	230VAC	17W	32°F (-18°C)	158°F (70°C)	L 3.07", W 1.46", H 1"	cULus



UL Listed Ballast / Lamp Combinations

- Locate your lamp model in the left column, sorted by the type and size
- Find the corresponding Fulham ballast and wire diagram in the right columns, according to the number of lamps and start type.
- Wiring diagrams for workhorse and FEP models located on pages 19 - 21.

UV C LAMPS/ GERMICIDAL	WATTS	LAMP ARC CURRENT (A)	INSTANT START BALLAST / WIRING DIAGRAM #				RAPID / PROGRAM START BALLAST	
			1 LAMP	2 LAMP	3 LAMP	4 LAMP	1 LAMP	2 LAMP
LINEAR LAMPS (T5)								
GPH212T5L GPH212T5VH	10W	0.425	N/A	WH44, Diagram #11	N/A	N/A	N/A	N/A
GPH287T5L GPH287T5VH	14W	0.425	N/A	WH44, Diagram #11	N/A	N/A	N/A	N/A
GPH303T5L GPH303T5VH	15W	0.425	N/A	WH44, Diagram #11	N/A	N/A	N/A	N/A
G10T5VH/C	17W	0.425	N/A	WH44, Diagram #11	N/A	N/A	N/A	N/A
G10T5VH	17W	0.425	N/A	WH44, Diagram #11	N/A	N/A	N/A	N/A
GPH357T5L GPH357T5VH	17W	0.425	N/A	WH44, Diagram #11	N/A	N/A	N/A	N/A
GPH436T5L GPH436T5VH	21W	0.425	N/A	WH44, Diagram #11	N/A	N/A	N/A	N/A
GSL692T5L GLS692T5VH	32W	0.425	N/A	WH44, Diagram #11	N/A	N/A	N/A	N/A
GPH793T5L GPH793T5VH	38W	0.425	N/A	WH44, Diagram #11	N/A	N/A	N/A	N/A
G36T5L G36T5VH	41W	0.425	N/A	WH44, Diagram #11	N/A	N/A	N/A	N/A
GPH843T5L GPH843T5VH	41W	0.425	N/A	WH44, Diagram #11	N/A	N/A	N/A	N/A
T5HO LAMPS								
GPH846T5L/HO GPH846T5VH/HO	90W	0.8	WH5, Diagram #12	N/A	N/A	N/A	N/A	N/A
GPH893T5L/HO GPH893T5VH/HO	95W	0.8	WH5, Diagram #12	N/A	N/A	N/A	N/A	N/A
LINEAR LAMPS (T6)								
GPH610T6L/4P	50W	1.0	WH5, Diagram #12	N/A	N/A	N/A	N/A	N/A
GPH1016T6L/4P	90W	1.0	WH7, Diagram #10	N/A	N/A	N/A	N/A	N/A
GPH1270T6L/4P	120W	1.0	WH7, Diagram #10	N/A	N/A	N/A	N/A	N/A
GPH1549T6L/4P	150W	1.0	WH7, Diagram #10	N/A	N/A	N/A	N/A	N/A
U-SHAPED LAMPS								
GU76-10T5L GU76-10T5VH	17W	0.425	N/A	WH44, Diagram #11	N/A	N/A	N/A	N/A
GU22-10T5L GU22-10T5VH	17W	0.425	N/A	WH44, Diagram #11	N/A	N/A	N/A	N/A

***Please Note:** Ballast recommendations apply to both -L and -VH lamp versions.



UL Listed Ballast / Lamp Combinations

- Locate your lamp model in the left column, sorted by the type and size
- Find the corresponding Fulham ballast and wire diagram in the right columns, according to the number of lamps and start type.
- Wiring diagrams for workhorse and FEP models located on pages 19 - 21.

UV C LAMPS/ GERMICIDAL	WATTS	LAMP ARC CURRENT (A)	INSTANT START BALLAST / WIRING DIAGRAM #				RAPID / PROGRAM START BALLAST	
			1 LAMP	2 LAMP	3 LAMP	4 LAMP	1 LAMP	2 LAMP
U-SHAPED LAMPS (Continued...)								
GU22-390T5L GU22- 390T5VH	36W	0.425	N/A	WH44, Diagram #11	N/A	N/A	N/A	N/A
GU76-390T5L GU76- 390T5VH	37W	0.425	N/A	WH44, Diagram #11	N/A	N/A	N/A	N/A
GU76-36T5L GU76- 36T5VH	41W	0.425	N/A	WH44, Diagram #11	N/A	N/A	N/A	N/A
GU22-36T5L GU22- 36T5VHL	41W	0.425	N/A	WH44, Diagram #11	N/A	N/A	N/A	N/A

***Please Note:** Ballast recommendations apply to both -L and -VH lamp versions.

cULus Listed Ballast / Lamp Combinations



- Locate your lamp model in the left column, sorted by the type and size
- Find the corresponding Fulham ballast and wire diagram in the right columns, according to the number of lamps and start type.
- Wiring diagrams for workhorse and FEP models located on pages 19 - 21.

UV C LAMPS/ GERMICIDAL	WATTS	LAMP ARC CURRENT (A)	INSTANT START BALLAST / WIRING DIAGRAM #				RAPID / PROGRAM START BALLAST	
			1 LAMP	2 LAMP	3 LAMP	4 LAMP	1 LAMP	2 LAMP
LINEAR LAMPS								
GPH212T5L GPH212T5VH	10W	0.425	N/A	N/A	N/A	N/A	SC-120-287-CUV SHS1-UNV-C-I SHS5-024-C	SHS1-UNV-C-I SHS5-024-C
GPH287T5L GPH287T5VH	14W	0.425	N/A	N/A	N/A	N/A	SC-120-287-CUV SHS1-UNV-C-I SHS5-024-C	SHS1-UNV-C-I SHS5-024-C
GPH303T5L GPH303T5VH	15W	0.425	N/A	N/A	N/A	N/A	SC-120-287-CUV SHS1-UNV-C-I SHS5-024-C	SHS1-UNV-C-I SHS5-024-C
TUV16W (T5)	16W	0.35	N/A	N/A	N/A	N/A	SHS5-024-C	SHS5-024-C
TUV16W4P-SE (T5)	16W	0.4	N/A	N/A	N/A	N/A	SHS5-024-C	SHS5-024-C
GPH357T5L GPH357T5VH	17W	0.425	N/A	N/A	N/A	N/A	SC-120-287-CUV SHS1-UNV-C-I SHS5-024-C	SHS1-UNV-C-I SHS5-024-C
TUV18W	18W	0.37	N/A	N/A	N/A	N/A	SHS1-UNV-C-I SHS5-024-C	SHS1-UNV-C-I SHS5-024-C
GPH436T5L GPH436T5VH	21W	0.425	N/A	N/A	N/A	N/A	SC-120-287-CUV SHS1-UNV-C-I SHS5-024-C	SHS1-UNV-C-I SHS5-024-C
GPH793T5L4P	37W	0.425	N/A	N/A	N/A	N/A	SHS1-UNV-C-I SHS5-024-C	N/A
GPH793T5L GPH793T5VH	38W	0.425	N/A	N/A	N/A	N/A	SC-120-287-CUV SHS1-UNV-C-I SHS5-024-C	N/A
G36T5L/4P/SE	39W	0.425	N/A	N/A	N/A	N/A	SHS1-UNV-C-I SHS5-024-C	N/A
TUV364P-SE T5 (G36T5/4P/SE)	40W	0.425HF	N/A	N/A	N/A	N/A	SHS1-UNV-C-I SHS5-024-C	N/A
TUV36SP-SE T5 (G36T5)	40W	0.425HF	N/A	N/A	N/A	N/A	SHS1-UNV-C-I SHS5-024-C	N/A
GPH843T5L GPH843T5VH	41W	0.425	N/A	N/A	N/A	N/A	SHS1-UNV-C-I SHS5-024-C	N/A
GPHHA1554T6L	320W	2.1	N/A	N/A	N/A	N/A	SHD21-230-L-I DIMMING	N/A
Linear Lamps (T6)								
GPIA1554T6LCA	320W	2.2	N/A	N/A	N/A	N/A	SHD21-230-L-I DIMMING	N/A
U - SHAPED LAMPS								
GU76-10T5L GU76- 10T5VH	17W	0.425	N/A	N/A	N/A	N/A	SHS1-UNV-C-I SHS5-024-C	SHS1-UNV-C-I SHS5-024-C
GU22-10T5L GU22- 10T5VH	17W	0.425	N/A	N/A	N/A	N/A	SHS1-UNV-C-I SHS5-024-C	SHS1-UNV-C-I SHS5-024-C
GU22-390T5L GU22- 390T5VH	36W	0.425	N/A	N/A	N/A	N/A	SHS1-UNV-C-I SHS5-024-C	N/A
GU76-36T5L GU76- 36T5VH	41W	0.425	N/A	N/A	N/A	N/A	SHS1-UNV-C-I SHS5-024-C	N/A
GU22-36T5L GU22- 36T5VHL	41W	0.425	N/A	N/A	N/A	N/A	SHS1-UNV-C-I SHS5-024-C	N/A

***Please Note:** Ballast recommendations apply to both -L and -VH lamp versions.

cULus Listed Ballast / Lamp Combinations



- Locate your lamp model in the left column, sorted by the type and size
- Find the corresponding Fulham ballast and wire diagram in the right columns, according to the number of lamps and start type.
- Wiring diagrams for workhorse and FEP models located on pages 19 - 21.

UV C LAMPS/ GERMICIDAL	WATTS	LAMP ARC CURRENT (A)	INSTANT START BALLAST / WIRING DIAGRAM #				RAPID / PROGRAM START BALLAST	
			1 LAMP	2 LAMP	3 LAMP	4 LAMP	1 LAMP	2 LAMP
Tanning Lamps T12HO								
F18T12HO	25W	0.8	WH5, Diagram #12 WH7, Diagram #14	WH7, Diagram #11 WH8, Diagram #23	WH8, Diagram #26	N/A	N/A	N/A
F24T12HO	35W	0.8	WH5, Diagram #12 WH7, Diagram #14	WH7, Diagram #11 WH8, Diagram #23	WH8, Diagram #26 FEP-600-L, Diagram #8	FEP-600-L, Diagram #7	N/A	N/A
F30T12HO	42W	0.8	WH5, Diagram #12 WH7, Diagram #14	WH7, Diagram #11 WH8, Diagram #23	WH8, Diagram #26 FEP-600-L, Diagram #8	FEP-600-L, Diagram #7	N/A	N/A
F36T12HO	45W	0.8	WH5, Diagram #12 WH7, Diagram #14	WH7, Diagram #11 WH8, Diagram #23	WH8, Diagram #26 FEP-600-L, Diagram #8	FEP-600-L, Diagram #7	N/A	N/A
F42T12HO	55W	0.8	WH5, Diagram #12 WH7, Diagram #14	WH7, Diagram #11	WH8, Diagram #26	N/A	N/A	N/A
F48T12HO	60W	0.8	WH5, Diagram #12 WH7, Diagram #14	WH7, Diagram #11 WH8, Diagram #23	WH8, Diagram #26 FEP-600-L, Diagram #8	FEP-600-L, Diagram #7	N/A	N/A
F60T12HO	75W	0.8	WH5, Diagram #12 WH7, Diagram #14	WH7, Diagram #11 WH8, Diagram #23	WH8, Diagram #26 FEP-600-L, Diagram #8	FEP-600-L, Diagram #7	N/A	N/A
F64T12HO	80W	0.8	WH5, Diagram #12 WH7, Diagram #14	WH7, Diagram #11 WH8, Diagram #23	FEP-600-L, Diagram #8	FEP-600-L, Diagram #7	N/A	N/A
F59T12HO	85W	0.8	N/A	N/A	FEP-600-L, Diagram #8	FEP-600-L, Diagram #7	N/A	N/A
F72T12HO	100W	0.8	WH5, Diagram #12 WH7, Diagram #14 FEP-600-L, Diagram #14	WH7, Diagram #11 WH8, Diagram #23 FEP-600-L, Diagram #9	N/A	N/A	N/A	N/A
F84T12HO	100W	0.8	WH5, Diagram #12 WH7, Diagram #14	WH8, Diagram #23	FEP-600-L, Diagram #8	N/A	N/A	N/A
F96T12HO	110W	0.8	WH5, Diagram #12 WH7, Diagram #14	WH8, Diagram #23	N/A	N/A	N/A	N/A
F79T12HO	120W	0.8	FEP-600-L, Diagram #14	FEP-600-L, Diagram #9	N/A	N/A	N/A	N/A
Tanning Lamps T12VHO								
F59T12VHO	320W	2.2	SGHD1-MID-2-200L	SGHD1-MID-2-200L	N/A	N/A	N/A	N/A
F60T12VHO	320W	2.2	SGHD1-MID-2-200L	SGHD1-MID-2-200L	N/A	N/A	N/A	N/A
F71T12VHO	320W	2.2	SGHD1-MID-2-200L	SGHD1-MID-2-200L	N/A	N/A	N/A	N/A
F72T12VHO	17W	0.425	SGHD1-MID-2-200L	SGHD1-MID-2-200L	N/A	N/A	N/A	N/A
F73T12VHO	17W	0.425	SGHD1-MID-2-200L	SGHD1-MID-2-200L	N/A	N/A	N/A	N/A
F74T12VHO	36W	0.425	SGHD1-MID-2-200L	SGHD1-MID-2-200L	N/A	N/A	N/A	N/A
F79T12VHO	41W	0.425	SGHD1-MID-2-200L	SGHD1-MID-2-200L	N/A	N/A	N/A	N/A
F79T12VHO	41W	0.425	SGHD1-MID-2-200L	SGHD1-MID-2-200L	N/A	N/A	N/A	N/A

*Please Note: Ballast recommendations apply to both -L and -VH lamp versions.

cULus and CE Listed Ballast / Lamp Combinations



- Locate your lamp model in the left column, sorted by the type and size
- Find the corresponding Fulham ballast and wire diagram in the right columns, according to the number of lamps and start type.
- Wiring diagrams for workhorse and FEP models located on pages 19 - 21.

UV C LAMPS/ GERMICIDAL	WATTS	LAMP ARC CURRENT (A)	INSTANT START BALLAST / WIRING DIAGRAM #				RAPID / PROGRAM START BALLAST	
			1 LAMP	2 LAMP	3 LAMP	4 LAMP	1 LAMP	2 LAMP
LINEAR LAMPS (T5)								
GPH212T5L GPH212T5VH	10W	0.425	N/A	N/A	N/A	N/A	SHS2-MLT-L	N/A
GPH287T5L GPH287T5VH	14W	0.425	N/A	N/A	N/A	N/A	SHS2-MLT-L	N/A
GPH303T5L GPH303T5VH	15W	0.425	N/A	N/A	N/A	N/A	SHS2-MLT-L	N/A
GPH357T5L GPH357T5VH	17W	0.425	N/A	N/A	N/A	N/A	SHS2-MLT-L	N/A
TUV 18W	18W	0.37	N/A	N/A	N/A	N/A	SHS2-MLT-L	N/A
GPH436T5L GPH436T5VH	21W	0.425	N/A	N/A	N/A	N/A	SHS2-MLT-L	N/A
GPH793T5L/4P	37W	0.425	N/A	N/A	N/A	N/A	SHS2-MLT-L	SHS14-UNV-H
GPH793T5L GPH793T5VH	38W	0.425	N/A	N/A	N/A	N/A	SHS2-MLT-L	SHS14-UNV-H
G36T5	39W	0.425	N/A	N/A	N/A	N/A	N/A	SHS14-UNV-H
TUV364P-SE T5 (G36T5/4P/SE)	40W	0.425	N/A	N/A	N/A	N/A	SHS2-MLT-L	SHS14-UNV-H
GPH843T5L GPH843T5VH	41W	0.425	N/A	N/A	N/A	N/A	SHS2-MLT-L	SHS14-UNV-H
GPH1148T5L GPH1148T5VH	55W	0.425	N/A	N/A	N/A	N/A	SHS14-UNV-H (I)	SHS14-UNV-H
G64T5 G64T5/4P/SE	65W	0.425	N/A	N/A	N/A	N/A	SHS14-UNV-H	SHS14-UNV-H
TUV 64 4P-SE T5	75W	0.425	N/A	N/A	N/A	N/A	SHS14-UNV-H	SHS14-UNV-H
GPH1554T5L GPH1554T5VH	75W	0.425	N/A	N/A	N/A	N/A	SHS14-UNV-H	SHS14-UNV-H
GPH1630T5L GPH1630T5VH	79W	0.425	N/A	N/A	N/A	N/A	SHS14-UNV-H	SHS14-UNV-H
T5HO LAMPS								
GPH436T5L/HO GPH436T5VH/HO	48W	0.8	N/A	N/A	N/A	N/A	SHS11-UNV-H	SHS11-UNV-H
GHO36T5L GHO36T5VH	87W	0.8	N/A	N/A	N/A	N/A	SHS11-UNV-H	SHS11-UNV-H
GPH846T5L/HO GPH846T5VH/HO	90W	0.8	N/A	N/A	N/A	N/A	SHS11-UNV-H SHS15-UNV-H	SHS11-UNV-H SHS15-UNV-H
GPH893T5L/HO GPH893T5VH/HO	95W	0.8	N/A	N/A	N/A	N/A	SHS11-UNV-H SHS15-UNV-H	SHS11-UNV-H SHS15-UNV-H
GHO64T5VH	155W	0.8	N/A	N/A	N/A	N/A	SHS11-UNV-H SHS15-UNV-H	SHS15-UNV-H

***Please Note:** Ballast recommendations apply to both -L and -VH lamp versions.

cULus and CE Listed Ballast / Lamp Combinations



- Locate your lamp model in the left column, sorted by the type and size
- Find the corresponding Fulham ballast and wire diagram in the right columns, according to the number of lamps and start type.
- Wiring diagrams for workhorse and FEP models located on pages 19 - 21.

UV C LAMPS/ GERMICIDAL	WATTS	LAMP ARC CURRENT (A)	INSTANT START BALLAST / WIRING DIAGRAM #				RAPID / PROGRAM START BALLAST	
			1 LAMP	2 LAMP	3 LAMP	4 LAMP	1 LAMP	2 LAMP
T5HO Lamps (Continued...)								
GPH212T5L/HO GPH212T5VH/HO	18W	0.8	N/A	N/A	N/A	N/A	SHS3-MLT-L	N/A
GPH287T5L/HO GPH287T5VH/HO	27W	0.8	N/A	N/A	N/A	N/A	SHS3-MLT-L	N/A
GPH357T5L/HO GPH357T5VH/HO	32W	0.8	N/A	N/A	N/A	N/A	SHS3-MLT-L	SHS11-UNV-H
GPH436T5L/HO GPH436T5VH/HO	48W	0.8	N/A	N/A	N/A	N/A	SHS11-UNV-H	SHS11-UNV-H
GPH793T5L/HO GPH793T5VH/HO	72W	0.8	N/A	N/A	N/A	N/A	SHS11-UNV-H	SHS11-UNV-H
TUV36T5HO4P-SE	75W	0.8	N/A	N/A	N/A	N/A	SHS11-UNV-H	SHS11-UNV-H
G64T5L/HO/C G64T5VH/HO/C	145W	0.8	N/A	N/A	N/A	N/A	SHS11-UNV-H SHS15-UNV-H	SHS15-UNV-H
TUV64T5VH/HO/C	145W	0.8	N/A	N/A	N/A	N/A	SHS11-UNV-H SHS15-UNV-H	SHS15-UNV-H
LINEAR LAMPS (T6)								
LMPRGS-180	38W	0.1	N/A	N/A	N/A	N/A	SHS10-UNV-H	N/A
GPH610T6L/4P/HO	50W	1.0	N/A	N/A	N/A	N/A	SHS10-UNV-H	N/A
GPH1016T6L/4P/HO	90W	1.0	N/A	N/A	N/A	N/A	SHS10-UNV-H	N/A
GPH1270T6L/4P/HO	120W	1.0	N/A	N/A	N/A	N/A	SHS10-UNV-H	N/A
GPH1549T6L/4P/HO	150W	1.0	N/A	N/A	N/A	N/A	SHS10-UNV-H	N/A

***Please Note:** Ballast recommendations apply to both -L and -VH lamp versions.

Fulham Approved Ballast / Lamp Combinations

- Locate your lamp model in the left column, sorted by the type and size
- Find the corresponding Fulham ballast and wire diagram in the right columns, according to the number of lamps and start type.
- Wiring diagrams for workhorse and FEP models located on pages 19 - 21.

UV C LAMPS/ GERMICIDAL	WATTS	LAMP ARC CURRENT (A)	INSTANT START BALLAST / WIRING DIAGRAM #				RAPID / PROGRAM START BALLAST	
			1 LAMP	2 LAMP	3 LAMP	4 LAMP	1 LAMP	2 LAMP
Mini Bowl Intermediate Screw E17 Base								
GTL3	3W	0.85	WH2, Diagram #3	WH33, Diagram #9	N/A	N/A	N/A	N/A
Linear Lamps (T5)								
TUV4W G4T5	4W	0.17	WH2, Diagram #2 WH41, Diagram #2	WH2, Diagram #1 WH41, Diagram #2	WH6, Diagram #8 WH43, Diagram #8	WH6, Diagram #7 WH43, Diagram #7	N/A	N/A
G4T5	4.5W	0.170	WH1, Diagram #3	WH2, Diagram #1	WH6, Diagram #8	WH6, Diagram #7	N/A	N/A
TUV 6W G6T5	6W	0.16	WH2, Diagram #2 WH41, Diagram #2 WH1, Diagram #3	WH2, Diagram #1 WH41, Diagram #2	WH6, Diagram #8 WH43, Diagram #8	WH6, Diagram #7 WH43, Diagram #7	N/A	N/A
G8T5	7.2W	0.145	WH1, Diagram #3	WH2, Diagram #1	N/A	WH6, Diagram #7	N/A	N/A
G8T5	8W	0.145	WH1, Diagram #3	WH2, Diagram #1	N/A	WH6, Diagram #7	N/A	N/A
TUV 8W (G8T5)	8W	0.15	WH1, Diagram #3	WH2, Diagram #1	N/A	WH6, Diagram #7	N/A	N/A
GPH212T5L GPH212T5VH	10W	0.425	WH43, Diagram #10 WH33, Diagram #14	WH33, Diagram #11	WH8, Diagram #25	WH7, Diagram #7	N/A	N/A
G11T5 TUV11W	11W	0.33	WH2, Diagram #3 WH41, Diagram #3 WH33, Diagram #14	WH5, Diagram #9 WH43, Diagram #11	N/A	WH8, Diagram #27	SHS1-UNV-C-I SHS2-MLT-L SHS5-024-C	SHS1-UNV-C-I SHS5-024-C
TUV11W 4P-SE G11T5/4P/SE	11W	0.33	WH2, Diagram #3 WH41, Diagram #3	WH5, Diagram #9 WH43, Diagram #11	N/A	WH8, Diagram #27	SHS1-UNV-C-I SHS2-MLT-L SHS5-024-C	SHS1-UNV-C-I SHS5-024-C
GPH287T5L GPH287T5VH	14W	0.425	WH43, Diagram #10 WH33, Diagram #14	WH33, Diagram #11	WH8, Diagram #25	WH7, Diagram #7	N/A	N/A
GPH295T5L	14W	0.425	N/A	N/A	N/A	N/A	SHS1-UNV-C-I	SHS1-UNV-C-I
G14T5L/4P	14W	0.425	WH5, Diagram #14	WH33, Diagram #11	WH7, Diagram #8	WH7, Diagram #7	SHS1-UNV-C-I SHS5-024-C	SHS1-UNV-C-I SHS5-024-C SHS14-UNV-H
G14T5L(GPH287)	14W	0.400	WH5, Diagram #14	WH33, Diagram #11	WH8, Diagram #25	WH7, Diagram #7	N/A	N/A
GPH303T5L GPH303T5VH	15W	0.425	WH43, Diagram #10 WH33, Diagram #14	WH33, Diagram #11	WH8, Diagram #25	WH7, Diagram #7	SC-120-287-CUV	N/A
G10T5L G10T5VH	16W	0.425	WH5, Diagram #14	WH33, Diagram #11	WH7, Diagram #8	WH7, Diagram #7	N/A	N/A

***Please Note:** Ballast recommendations apply to both -L and -VH lamp versions.

Fulham Approved Ballast / Lamp Combinations

- Locate your lamp model in the left column, sorted by the type and size
- Find the corresponding Fulham ballast and wire diagram in the right columns, according to the number of lamps and start type.
- Wiring diagrams for workhorse and FEP models located on pages 19 - 21.

UV C LAMPS/ GERMICIDAL	WATTS	LAMP ARC CURRENT (A)	INSTANT START BALLAST / WIRING DIAGRAM #				RAPID / PROGRAM START BALLAST	
			1 LAMP	2 LAMP	3 LAMP	4 LAMP	1 LAMP	2 LAMP
Linear Lamps (T5)								
G10T5L/4P G10T5VH/4P	16W	0.425	WH5, Diagram #14	WH33, Diagram #11	WH7, Diagram #8	WH7, Diagram #7	SHS1-UNV-C-I SHS5-024-C	SHS1-UNV-C-I SHS5-024-C SHS14-UNV-H
TUV 16W (T5)	16W	0.35	WH43, Diagram #10 WH33, Diagram #14	WH5, Diagram #9	N/A	WH8, Diagram #27	SC-120-287-CUV SHS1-UNV-C-I SHS2-MLT-L	SHS1-UNV-C-I
TUV16W4P-SE (T5)	16W	0.4	WH43, Diagram #10 WH33, Diagram #14	WH33, Diagram #11	WH8, Diagram #25	WH7, Diagram #7	SC-120-287-CUV SHS1-UNV-C-I SHS2-MLT-L	SHS1-UNV-C-I
G16T5	16W	0.350	WH33, Diagram #14	N/A	WH8, Diagram #25	WH8, Diagram #27	N/A	N/A
G10THVH	17W	0.425	WH43, Diagram #10 WH33, Diagram #14	WH33, Diagram #11	WH8, Diagram #25	WH7, Diagram #7	N/A	N/A
GPH357T5L GPH357T5VH	17W	0.425	WH43, Diagram #10 WH33, Diagram #14	WH33, Diagram #11	WH8, Diagram #25	WH7, Diagram #7	SC-120-287-CUV	N/A
G10T5L	17W	0.425	WH5, Diagram #14	WH33, Diagram #11	WH7, Diagram #8	WH7, Diagram #7	N/A	N/A
TUV 18W	18W	0.37	WH43, Diagram #10 WH33, Diagram #14	WH33, Diagram #11	WH8, Diagram #25	WH7, Diagram #7	SC-120-287-CUV	N/A
G20T5	20W	0.400	WH33, Diagram #14	WH8, Diagram #22	WH8, Diagram #25	WH7, Diagram #7	SHS1-UNV-C-I SHS5-024-C	SHS1-UNV-C-I SHS14-UNV-H
GPH436T5L GPH436T5VH	21W	0.425	WH43, Diagram #10 WH33, Diagram #14	WH33, Diagram #11	WH8, Diagram #25	WH7, Diagram #7	N/A	N/A
G22T5L (GPH436)	22W	0.420	WH5, Diagram #14	WH33, Diagram #11	WH7, Diagram #8	WH7, Diagram #7	N/A	N/A
G22T5L/4P	22W	0.425	WH5, Diagram #14	WH33, Diagram #11	WH7, Diagram #8	WH7, Diagram #7	SHS1-UNV-C-I SHS14-UNV-H	SHS14-UNV-H
TUV 25W 4P-SE (T5)	25W	0.35	WH43, Diagram #10 WH33, Diagram #14	WH33, Diagram #11	WH8, Diagram #25	WH8, Diagram #27	SHS1-UNV-C-I SHS5-024-C	SHS14-UNV-H
G24T5L	25W	0.425	WH5, Diagram #14	WH7, Diagram #11	WH7, Diagram #8	WH7, Diagram #7	N/A	N/A
GSL692T5L GSL692T5VH	32W	0.425	WH43, Diagram #10 WH33, Diagram #14	WH33, Diagram #11	WH8, Diagram #25	WH7, Diagram #7	N/A	N/A
GPH793T5L/4P	37W	0.425	WH43, Diagram #1 WH33, Diagram #14	WH5, Diagram #11	WH8, Diagram #25	WH7, Diagram #7	N/A	N/A
GPH793T5L GPH793T5VH	38W	0.425	WH43, Diagram #10 WH33, Diagram #14	WH5, Diagram #11	WH8, Diagram #25	WH7, Diagram #7	N/A	N/A
G36T5/4P/SE	39W	0.425	WH43, Diagram #14 WH33, Diagram #14	WH5, Diagram #11	WH8, Diagram #25	WH7, Diagram #7	N/A	N/A
G36T5L G36T5VH	39W	0.425	WH5, Diagram #14	WH5, Diagram #11	WH7, Diagram #8	WH7, Diagram #7	N/A	N/A
G36T5L/4P	39W	0.425	WH5, Diagram #14	WH5, Diagram #11	WH7, Diagram #8	WH7, Diagram #7	SHS1-UNV-C-I SHS14-UNV-H	SHS14-UNV-H
TUV364P-SE T5 (G36T5/4P/SE)	40W	0.425HF	WH33, Diagram #14 WH43, Diagram #1	WH5, Diagram #11	WH7, Diagram #8	WH7, Diagram #7	N/A	N/A

***Please Note:** Ballast recommendations apply to both -L and -VH lamp versions.

Fulham Approved Ballast / Lamp Combinations

- Locate your lamp model in the left column, sorted by the type and size
- Find the corresponding Fulham ballast and wire diagram in the right columns, according to the number of lamps and start type.
- Wiring diagrams for workhorse and FEP models located on pages 19 - 21.

UV C LAMPS/ GERMICIDAL	WATTS	LAMP ARC CURRENT (A)	INSTANT START BALLAST / WIRING DIAGRAM #				RAPID / PROGRAM START BALLAST	
			1 LAMP	2 LAMP	3 LAMP	4 LAMP	1 LAMP	2 LAMP
Linear Lamps (T5)								
G36T5L G36T5VH	41W	0.425	WH43, Diagram #1 WH33, Diagram #14 WH5, Diagram #14	WH5, Diagram #11	WH8, Diagram #25 WH7, Diagram #8	WH7, Diagram #7	N/A	N/A
G36T5LC G36T5VH/C	42W	0.425	WH43, Diagram #1 WH33, Diagram #14	WH5, Diagram #11	WH8, Diagram #25	WH7, Diagram #7	N/A	N/A
GPH843T5L GPH843T5VH	55W	0.0425	WH43, Diagram #1 WH33, Diagram #14	WH5, Diagram #11	WH8, Diagram #25	WH7, Diagram #7	N/A	N/A
G48T5L G48T5VH	55W	0.425	WH43, Diagram #1 WH33, Diagram #14 WH5, Diagram #14	WH5, Diagram #11	WH8, Diagram #25 WH7, Diagram #8	WH7, Diagram #7	N/A	N/A
GPH1148T5L GPH1148T5VH	55W	0.425	WH43, Diagram #1 WH33, Diagram #14	WH5, Diagram #11	WH8, Diagram #25	WH7, Diagram #7	N/A	N/A
G64T5L	65W	0.425	WH5, Diagram #14 WH6, Diagram #10 WH43, Diagram #10	WH8, Diagram #22	WH8, Diagram #25	N/A	N/A	N/A
G64T5/4P/SE	65W	0.425	WH5, Diagram #14 WH6, Diagram #10 WH43, Diagram #10	WH8, Diagram #22	WH8, Diagram #25	N/A	N/A	N/A
G64T5L/4P	65W	0.425	WH5, Diagram #14	WH33, Diagram #11	WH7, Diagram #8	N/A	SHS14-UNV-H	SHS14-UNV-H
G64T5L G64T5VH	75W	0.425	WH5, Diagram #14 WH6, Diagram #10 WH43, Diagram #10	WH5, Diagram #22 WH8, Diagram #22 WH44, Diagram #11	WH8, Diagram #25 WH7, Diagram #8	N/A	N/A	N/A
GPH1554T5L GPH1554T5VH	75W	0.425	WH5, Diagram #14 WH6, Diagram #10 WH43, Diagram #10	WH5, Diagram #22 WH44, Diagram #11	WH8, Diagram #25	N/A	N/A	N/A
TUV644P-SE T5	75W	0.425	WH5, Diagram #14 WH6, Diagram #10 WH43, Diagram #10	WH8, Diagram #22 WH44, Diagram #11	WH8, Diagram #25	N/A	N/A	N/A
G64T5L/C G64T5VH/C	75W	0.45	WH5, Diagram #14 WH6, Diagram #10 WH43, Diagram #10	WH8, Diagram #22	WH8, Diagram #25	N/A	N/A	N/A
G67T5L G67T5VH	79W	0.425	WH5, Diagram #14 WH6, Diagram #10 WH43, Diagram #10	WH5, Diagram #22	WH8, Diagram #25	N/A	N/A	N/A
GPH1630T5L GPH1630T5VH	79W	0.425	WH5, Diagram #14 WH6, Diagram #10 WH43, Diagram #10	WH5, Diagram #22	WH8, Diagram #25	N/A	N/A	N/A
G67T5L	79W	0.425	WH5, Diagram #14	WH8, Diagram #22	N/A	N/A	N/A	N/A
T5 / T6 Amalgam Lamps								
GPHHA357T6L GPH793T5VH	65W	2.1	N/A	N/A	N/A	N/A	SHD21-230-L-I	N/A
GA80T5L	80W	1.5	WH7, Diagram #13	N/A	N/A	N/A	N/A	N/A
GA100T5L	100W	1.5	WH7, Diagram #13	N/A	N/A	N/A	N/A	N/A
GA120T5L	120W	1.5	WH7, Diagram #13	N/A	N/A	N/A	N/A	N/A

***Please Note:** Ballast recommendations apply to both -L and -VH lamp versions.

Fulham Approved Ballast / Lamp Combinations

- Locate your lamp model in the left column, sorted by the type and size
- Find the corresponding Fulham ballast and wire diagram in the right columns, according to the number of lamps and start type.
- Wiring diagrams for workhorse and FEP models located on pages 19 - 21.

UV C LAMPS/ GERMICIDAL	WATTS	LAMP ARC CURRENT (A)	INSTANT START BALLAST / WIRING DIAGRAM #				RAPID / PROGRAM START BALLAST	
			1 LAMP	2 LAMP	3 LAMP	4 LAMP	1 LAMP	2 LAMP
T5 / T6 Amalgam Lamps (Continued...)								
GA130T5L	130W	1.5	WH7, Diagram #13	N/A	N/A	N/A	N/A	N/A
GPHHA840T6	140W	2.1	N/A	N/A	N/A	N/A	SHD21-230-L-I	N/A
GA170T6L	170W	2.0	N/A	N/A	N/A	N/A	SHD21-230-L-I	N/A
GPHHA843T6	172W	2.1	N/A	N/A	N/A	N/A	SHD21-230-L-I	N/A
GPHHA1145T6	200W	2.1	N/A	N/A	N/A	N/A	SHD21-230-L-I	N/A
GA200T5L	200W	1.5	WH7, Diagram #13	N/A	N/A	N/A	N/A	N/A
GPHHA1000T6	207W	2.1	N/A	N/A	N/A	N/A	SHD21-230-L-I	N/A
GPHHA1570T6	315W	2.1	N/A	N/A	N/A	N/A	SHD21-230-L-I	N/A
GPHHA1554T6	320W	2.1	N/A	N/A	N/A	N/A	SHD21-230-L-I	N/A
GA320T6L	320W	2.0	N/A	N/A	N/A	N/A	SHD21-230-L-I	N/A
GPHHA1578T6	325W	2.1	N/A	N/A	N/A	N/A	SHD21-230-L-I	N/A
T5HO Lamps								
GPH212T5L/HO GPH212T5VH/HO	18W	0.8	WH33, Diagram #12 WH5, Diagram #12	WH7, Diagram #11 WH8, Diagram #23	FEP-600L, Diagram #8	FEP-600L, Diagram #7	SHS3-MLT-L	N/A
GPH287T5L/HO GPH287T5VH/HO	27W	0.8	WH33, Diagram #12 WH5, Diagram #12	WH7, Diagram #11 WH8, Diagram #23	FEP-600L, Diagram #8	FEP-600L, Diagram #7	N/A	N/A
GPH357T5L/HO GPH357T5VH/HO	32W	0.8	WH33, Diagram #12 WH5, Diagram #12	WH7, Diagram #11 WH8, Diagram #23	FEP-600L, Diagram #8	FEP-600L, Diagram #7	SHS11-UNV-H	N/A
GHO436T5	36W	0.8	WH33, Diagram #12 WH5, Diagram #12	WH7, Diagram #11	N/A	N/A	SHS11-UNV-H SHS3-MLT-L	SHS11-UNV-H
GPH436T5/HO GPH436T6VH/HO	42W	0.8	WH33, Diagram #12 WH5, Diagram #12	WH7, Diagram #11 WH8, Diagram #23	FEP-600L, Diagram #8	N/A	N/A	N/A
GXO436T5L	48W	0.8	WH33, Diagram #12 WH5, Diagram #12	WH7, Diagram #11	N/A	N/A	SHS11-UNV-H SHS3-MLT-L	SHS11-UNV-H
GPH793T5L/HO GPH793T5VH/HO	72W	0.8	WH5, Diagram #12	WH7, Diagram #11 WH8, Diagram #23	FEP-600L, Diagram #8	N/A	N/A	N/A
TUV36T5HO4P-SE	75W	0.8	WH5, Diagram #12	WH7, Diagram #11 WH8, Diagram #23	FEP-600L, Diagram #8	N/A	N/A	N/A
G36T5L/HO/C G36T5VH/HO/C	75W	0.8	WH5, Diagram #12	WH7, Diagram #11 WH8, Diagram #23	FEP-600L, Diagram #8	N/A	N/A	N/A
GHO36T5L	75W	0.8	WH5, Diagram #12	WH7, Diagram #11	N/A	N/A	SHS11-UNV-H	SHS11-UNV-H

*Please Note: Ballast recommendations apply to both -L and -VH lamp versions.

Fulham Approved Ballast / Lamp Combinations

- Locate your lamp model in the left column, sorted by the type and size
- Find the corresponding Fulham ballast and wire diagram in the right columns, according to the number of lamps and start type.
- Wiring diagrams for workhorse and FEP models located on pages 19 – 21

UV C LAMPS/ GERMICIDAL	WATTS	LAMP ARC CURRENT (A)	INSTANT START BALLAST / WIRING DIAGRAM #				RAPID / PROGRAM START BALLAST	
			1 LAMP	2 LAMP	3 LAMP	4 LAMP	1 LAMP	2 LAMP
T5HO Lamps (T5)								
GHO846T5L	75W	0.8	WH5, Diagram #12	WH7, Diagram #11	N/A	N/A	SHS11-UNV-H	SHS11-UNV-H
GHO36T5L GHO36T5VH	87W	0.8	WH5, Diagram #12	WH7, Diagram #11 WH8, Diagram #23	FEP-600L, Diagram #8	N/A	N/A	N/A
GHO893T5L	85W	0.8	WH5, Diagram #12	WH7, Diagram #11	N/A	N/A	SHS11-UNV-H	SHS11-UNV-H
GXO36T5L	94W	0.8	WH5, Diagram #12	WH7, Diagram #11	N/A	N/A	SHS11-UNV-H SHS15-UNV-H	SHS11-UNV-H SHS15-UNV-H
GXO846T5L	99W	0.8	WH5, Diagram #12	WH7, Diagram #11	N/A	N/A	SHS11-UNV-H SHS15-UNV-H	SHS11-UNV-H SHS15-UNV-H
GPH846T5L/HO GPH846T5VH/HO	90W	0.8	N/A	WH7, Diagram #11 WH8, Diagram #23	FEP-600L, Diagram #8	N/A	N/A	N/A
GPH893T5L/HO GPH893T5VH/HO	95W	0.8	N/A	WH7, Diagram #11 WH8, Diagram #23	N/A	N/A	N/A	N/A
GXO893T5L	104W	0.8	WH5, Diagram #12	WH7, Diagram #11	N/A	N/A	SHS11-UNV-H SHS15-UNV-H	SHS11-UNV-H SHS15-UNV-H
GHO64T5L	145W	0.8	WH7, Diagram #14	N/A	N/A	N/A	SHS15-UNV-H	SHS15-UNV-H
G64T5L/HO/C G64T5VH/HO/C	145W	0.8	WH7, Diagram #14	FEP-600L, Diagram #9	N/A	N/A	N/A	N/A
TUV64T5HO4P-SE	145W	0.8	WH7, Diagram #14	FEP-600L, Diagram #9	N/A	N/A	N/A	N/A
GHO64T5VH	155W	0.8	WH7, Diagram #14	FEP-600L, Diagram #9	N/A	N/A	N/A	N/A
GXO64T5L	170W	0.8	WH7, Diagram #14	N/A	N/A	N/A	SHS15-UNV-H	SHS15-UNV-H
Linear Lamps (T6)								
GPHHA843T6L	172W	2.1	FEP-600L, Diagram #12	N/A	N/A	N/A	SHS21-230-L-I Non Dimming	N/A
GPHHHA1000T6L	207W	2.1	FEP-600L, Diagram #12	N/A	N/A	N/A	SHS21-230-L-I Non Dimming	N/A
GPHHA1554T6L	320W	2.1	FEP-600L, Diagram #12	N/A	N/A	N/A	N/A	N/A
GIA1554T6LCA	320W	2.1	FEP-600L, Diagram #12	N/A	N/A	N/A	N/A	N/A
T8 Lamps								
G10T8 TUV10W	9.5W	0.230	WH2, Diagram #2	WH22, Diagram #1 WH3, Diagram #1	WH33, Diagram #8	WH33, Diagram #7	N/A	N/A
G15T8	15W	0.305	WH2, Diagram #3	WH5, Diagram #9	WH8 Diagram #25	WH8, Diagram #27	RHA-UNV-226-C	RHA-UNV-226-C

***Please Note:** Ballast recommendations apply to both -L and -VH lamp versions.

Fulham Approved Ballast / Lamp Combinations

- Locate your lamp model in the left column, sorted by the type and size
- Find the corresponding Fulham ballast and wire diagram in the right columns, according to the number of lamps and start type.
- Wiring diagrams for workhorse and FEP models located on pages 19 – 21

UV C LAMPS/ GERMICIDAL	WATTS	LAMP ARC CURRENT (A)	INSTANT START BALLAST / WIRING DIAGRAM #				RAPID / PROGRAM START BALLAST	
			1 LAMP	2 LAMP	3 LAMP	4 LAMP	1 LAMP	2 LAMP
T8 Lamps (Continued...)								
TUV15W(T8)	15W	0.34	WH33, Diagram #14	WH3, Diagram #9	WH8, Diagram #25	WH8, Diagram #27	RHA-UNV-226-C	RHA-UNV-226-C
G25T8 (TUV25W)	25W	0.58	WH33, Diagram #10	WH7, Diagram #9	WH8, Diagram #26	FEP-600L, Diagram #7	N/A	N/A
TUV25W G25T8	25W	0.6	WH33, Diagram #10	WH7, Diagram #9	WH8, Diagram #26	FEP-600L, Diagram #7	N/A	N/A
G30T8 TUV30W	30W	0.355	WH33, Diagram #14	WH5, Diagram #9	WH8, Diagram #25	WH8, Diagram #27	SHS1-UNV-C-I SHS5-024-C SHS14-UNV-H (I)	SHS14-UNV-H
G37T6L G37T6VH	40W	0.425	WH33, Diagram #14 WH43, Diagram #10	WH5, Diagram #11	WH7, Diagram #8	WH7, Diagram #7	N/A	N/A
G55T8/HO TUV55WHO	55W	0.77	WH33, Diagram #12	WH7, Diagram #11	FEP-600L, Diagram #8	N/A	SHS11-UNV-C	SHS11-UNV-H SHS15-UNV-H
TUV75HO (T8)	75W	0.84	WH5, Diagram #13	WH7, Diagram #11	FEP-600L, Diagram #8	N/A	SHS11-UNV-C	SHS11-UNV-H SHS15-UNV-H
T10 & T12HO								
G20T10	19W	0.36	WH33, Diagram #14	WH5, Diagram #9	WH8, Diagram #25	WH8, Diagram #27	SHS1-UNV-C-I SHS5-024-C	SHS1-UNV-C-I SHS5-024-C
G40T10	40W	0.42	WH33, Diagram #14 WH43, Diagram #10 WH5, Diagram #14	WH5, Diagram #11	WH7, Diagram #8	WH7, Diagram #7	SHS1-UNV-C (I) SHS5-024-C	N/A
TUV115VHO (T12)	115W	1.5	WH7, Diagram #13 WH8, Diagram #20	FEP120-600L, Diagram #11	N/A	N/A	N/A	N/A
Twin Tube lamps								
PLTUV 9W	9W	0.17	WH2, Diagram #2	WH4, Diagram #1	WH6, Diagram #8	WH6, Diagram #7	N/A	N/A
PLLTUV 13W	13W	0.29	WH2, Diagram #3 WH2, Diagram #2 WH3, Diagram #2	WH33 Diagram #9 WH5, Diagram #9	WH5, Diagram #8	N/A	SHS10-UNV-H	N/A
PLLTUV 18W	18W	0.37	WH33, Diagram #14	WH5, Diagram #9	WH8, Diagram #25	WH8, Diagram #27	SHS1-UNV-C-I SHS5-024-C	SHS1-UNV-C-I SHS5-024-C
GBX18/UVC/2G11	18W	0.38	WH33, Diagram #14	WH5, Diagram #9	WH8, Diagram #25	WH8, Diagram #27	SHS1-UNV-C-I SHS5-024-C	SHS1-UNV-C-I SHS5-024-C

***Please Note:** Ballast recommendations apply to both -L and -VH lamp

Fulham Approved Ballast / Lamp Combinations

- Locate your lamp model in the left column, sorted by the type and size
- Find the corresponding Fulham ballast and wire diagram in the right columns, according to the number of lamps and start type.
- Wiring diagrams for workhorse and FEP models located on pages 19 – 21

UV C LAMPS/ GERMICIDAL	WATTS	LAMP ARC CURRENT (A)	INSTANT START BALLAST / WIRING DIAGRAM #				RAPID / PROGRAM START BALLAST	
			1 LAMP	2 LAMP	3 LAMP	4 LAMP	1 LAMP	2 LAMP
Twin Tube Lamps (Continued...)								
PLLTUV 35W HO	35W	0.85	WH33, Diagram #13	WH8, Diagram #24	FEP-600L, Diagram #8	N/A	SHS3-MLT-L	SHS11-UNV-H
GBX36/UVC/UG11	36W	0.44	WH33, Diagram #14	WH5, Diagram #9	WH7, Diagram #8	WH7, Diagram #7	SHS1-UNV-C-I SHS5-024-C SHS14-UNV-H (I)	SHS14-UNV-H
PLLTUV 36W	36W	0.44	WH33, Diagram #14	WH5, Diagram #9	WH7, Diagram #8	WH7, Diagram #7	SHS1-UNV-C-I SHS5-024-C SHS14-UNV-H-I	SHS14-UNV-H
PLLTUV 60W HO	60W	0.8	WH5, Diagram #10	WH8, Diagram #23	WH8, Diagram #26	FEP-600-L, Diagram #7	SHS11-UNV-H SHS15-UNV-H	SHS15-UNV-H
PLLTUV 55W	55W	0.54HF	WH43, Diagram #12	N/A	WH8, Diagram #26	FEP-600-L, Diagram #7	N/A	N/A
GBX55/UVC/2G11	55W	0.55	WH43, Diagram #12	N/A	WH8, Diagram #26	N/A	N/A	N/A
PLLTUV 95W HO	95W	0.95	WH5, Diagram #12 WH8, Diagram #17	WH8, Diagram #24	N/A	N/A	N/A	N/A
U- Shaped Lamps								
GUL6	6W	0.160	WH1, Diagram #3	WH2, Diagram #1	WH6, Diagram #8	WH6, Diagram #7	N/A	N/A
GU22-390T5L GU22-390T5VH	48W	0.425	WH33, Diagram #14 WH43, Diagram #10	WH5, Diagram #11	WH8, Diagram #25	WH7, Diagram #7	N/A	N/A
GU76-10T5L GU76-10T5VHL	75W	0.425	WH33, Diagram #14 WH43, Diagram #10	WH33, Diagram #11	WH8, Diagram #25	WH7, Diagram #7	N/A	N/A
GU22-10T5L GU22-10T5VH	79W	0.425	WH33, Diagram #14 WH43, Diagram #10	WH33, Diagram #11	WH8, Diagram #25	WH7, Diagram #7	N/A	N/A
GU76-390T5L GU76-390T5VH	87W	0.425	WH33, Diagram #14 WH43, Diagram #10	WH5, Diagram #11	WH8, Diagram #25	WH7, Diagram #7	N/A	N/A
GU76-36T5L GU76-36T5VH	90W	0.425	WH33, Diagram #14 WH43, Diagram #10	WH5, Diagram #11	WH8, Diagram #25	WH7, Diagram #7	N/A	N/A
GU22-36T5L GU22-36T5VHL	95W	0.425	WH33, Diagram #14 WH43, Diagram #10	WH5, Diagram #11	WH8, Diagram #25	WH7, Diagram #7	N/A	N/A
G23 & GX23 Base Lamps								
GPX5	5.5W	0.180	WH1, Diagram #3	N/A	WH6, Diagram #8	WH6, Diagram #7	N/A	N/A
GPX7	7W	0.180	WH1, Diagram #3	N/A	WH6, Diagram #8	WH6, Diagram #7	N/A	N/A
GPX9	9W	0.180	WH1, Diagram #3	N/A	WH6, Diagram #8	WH6, Diagram #7	N/A	N/A
GPX11	11.8W	0.155	WH1, Diagram #3	WH2, Diagram #1	N/A	WH6, Diagram #7	N/A	N/A
GPX13	13.4W	0.285	WH2, Diagram #3	WH5, Diagram #9	WH5, Diagram #8	N/A	N/A	N/A
GPL18K	18W	0.375	WH33, Diagram #14	N/A	WH8, Diagram #25	WH8, Diagram #25	SHS1-UNV-C-I SHS14-UNV-H	SHS1-UNV-C-I SHS14-UNV-H
GPL36L	36W	0.435	WH6, Diagram #10	WH5, Diagram #11	WH7, Diagram #8	WH7, Diagram #7	SHS1-UNV-C-I SHS14-UNV-H	SHS14-UNV-H

*Please Note: Ballast recommendations apply to both -L and -VH lamp versions.

Fulham Approved Ballast / Lamp Combinations

- Locate your lamp model in the left column, sorted by the type and size
- Find the corresponding Fulham ballast and wire diagram in the right columns, according to the number of lamps and start type.
- Wiring diagrams for workhorse and FEP models located on pages 19 - 21.

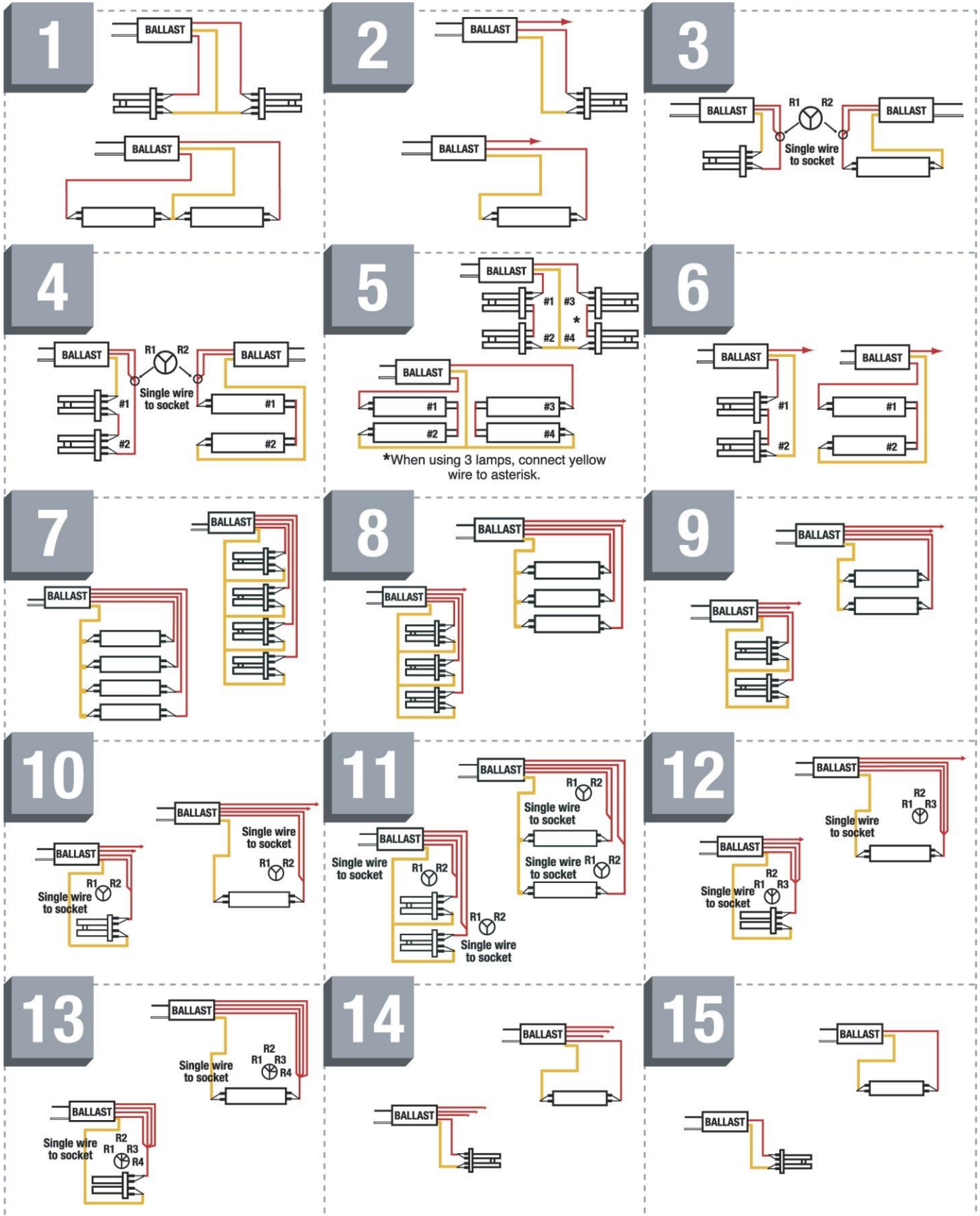
UV C LAMPS/ GERMICIDAL	WATTS	LAMP ARC CURRENT (A)	INSTANT START BALLAST / WIRING DIAGRAM #				RAPID / PROGRAM START BALLAST	
			1 LAMP	2 LAMP	3 LAMP	4 LAMP	1 LAMP	2 LAMP
UV-B (306NM) Midrange Lamps								
G8T5E	7.2W	0.145	WH1, Diagram #3	WH2, Diagram #1	N/A	WH6, Diagram #7	N/A	N/A
G15T65E	14.7W	0.300	WH2, Diagram #3	WH5, Diagram #9	N/A	N/A	N/A	N/A
G25T8E	25W	0.600	WH33, Diagram #10	WH7, Diagram #9	WH8, Diagram #26	N/A	N/A	N/A
Half Coat (254nm/352nm)								
PLLTUV 55W	55W	0.54HF	WH1, Diagram #3	WH2, Diagram #1	WH6, Diagram #8	WH6, Diagram #7	N/A	N/A
Black Light T5 Diameter								
F4T5BL	4.5W	0.170	WH1, Diagram #3	WH2, Diagram #1	WH6, Diagram #8	WH6, Diagram #7	N/A	N/A
F6T5BL	6W	0.147	WH1, Diagram #3	WH2, Diagram #1	WH6, Diagram #8	WH6, Diagram #7	N/A	N/A
F8T5BL	8W	0.145	WH1, Diagram #3	WH2, Diagram #1	N/A	WH6, Diagram #7	N/A	N/A
Black Light T8 Diameter								
F15T8BL	15W	0.305	WH2, Diagram #3	WH5, Diagram #9	N/A	N/A	N/A	N/A
Black Light Blue T5 Diameter								
F4T5BLB	4.5W	0.170	WH1, Diagram #3	WH2, Diagram #1	WH6, Diagram #8	WH6, Diagram #7	N/A	N/A
F6T5BLB	6W	0.160	WH1, Diagram #3	WH2, Diagram #1	WH6, Diagram #8	WH6, Diagram #7	N/A	N/A
F8T5BLB	8W	0.145	WH1, Diagram #3	WH2, Diagram #1	N/A	WH6, Diagram #7	N/A	N/A
Black Light Blue T8 Diameter								
F10T8BLB	9.5W	0.230	WH2, Diagram #2	WH22, Diagram #1	WH33, Diagram #8	WH33, Diagram #7	N/A	N/A
F15T8BLB	15W	0.305	WH2, Diagram #3	WH5, Diagram #9	N/A	N/A	N/A	N/A
F30T8BLB	30.5W	0.355	WH33, Diagram #14	N/A	WH8, Diagram #25	WH8, Diagram #27	N/A	N/A
Black Light Blue T10 Diameter								
GPX11	11.8W	0.155	WH33, Diagram #14	N/A	WH8, Diagram #25	WH8, Diagram #27	N/A	N/A
Blacklight Blue, Compact								
FPX9BLB	9W	0.180	WH1, Diagram #3	WH6, Diagram #9	WH6, Diagram #8	WH6, Diagram #7	N/A	N/A
FPX18KBLB	18W	0.375	WH33, Diagram #14	N/A	WH8, Diagram #25	WH8, Diagram #27	N/A	N/A

***Please Note:** Ballast recommendations apply to both -L and -VH lamp versions.

Fulham UV Ballasts - Operation & Installation Tips

1. Connect both pin sets of the socket before connecting "RED" & "YELLOW" wires.
2. Ground case in accordance with the "National Electric Code"
3. With Linear lamp use a starting aid.
3. Ballast case temperature cannot exceed 70°C
4. Remote mounting distance varies with lamp type. Contact customer service.
5. Ballast cannot be used with dimmer switch but can be used with occupancy sensor. (Note: Sensor will shorten lamp life.)

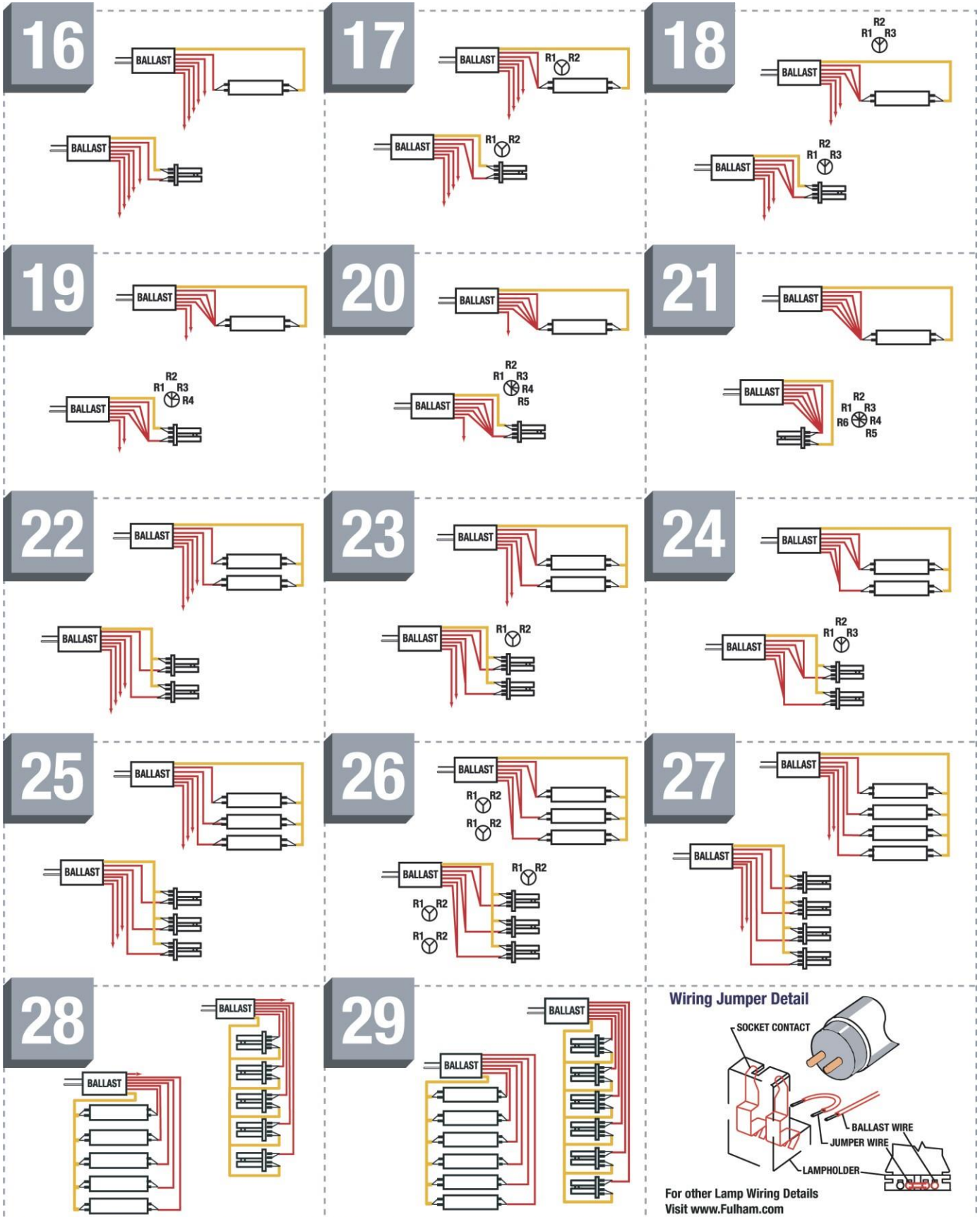
7. Cap and insulate any unused red power wire. = Cap
8. When connecting two red power wires, they must be joined to make one wire before attaching to the socket
9. BLS (Black Leads with Studs) dimensions
Stud length: 5/8", Stud Size: 8/32, Center to Center 2"
10. Running lamps in series will reduce the turn-on cycles of both lamps.
(Configuration diagrams 4, 5, 6)



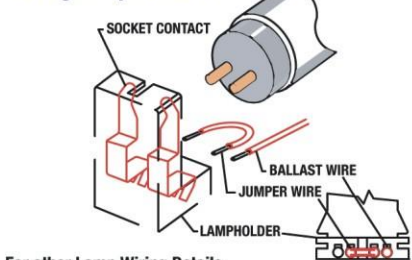
Fulham UV Ballasts - Operation & Installation Tips

1. Connect both pin sets of the socket before connecting "RED" & "YELLOW" wires.
2. Ground case in accordance with the "National Electric Code"
3. With Linear lamp use a starting aid.
3. Ballast case temperature cannot exceed 70°C
4. Remote mounting distance varies with lamp type. Contact customer service.
5. Ballast cannot be used with dimmer switch but can be used with occupancy sensor. (Note: Sensor will shorten lamp life.)

7. Cap and insulate any unused red power wire. = Cap
8. When connecting two red power wires, they must be joined to make one wire before attaching to the socket
9. BLS (Black Leads with Studs) dimensions
Stud length: 5/8", Stud Size: 8/32, Center to Center 2"
10. Running lamps in series will reduce the turn-on cycles of both lamps.
(Configuration diagrams 4, 5, 6)



Wiring Jumper Detail

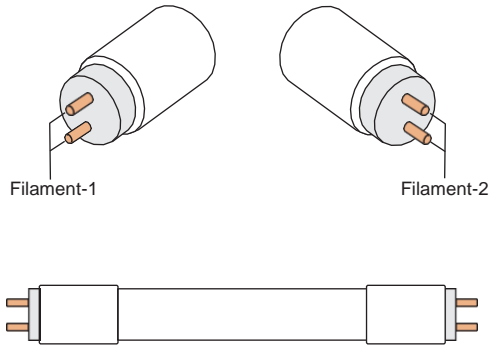


For other Lamp Wiring Details
Visit www.Fulham.com

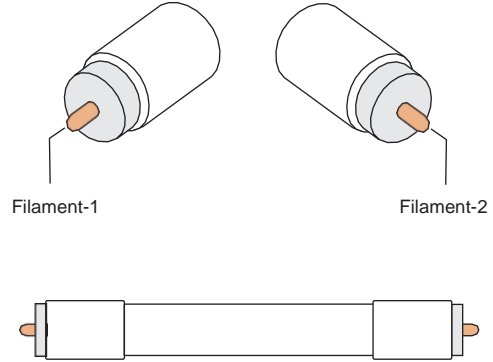
Fulham UV Ballasts - Operation & Installation Tips

1. For 4-pins lamps, ensure that you have determined the appropriate pair of pins that correspond to each filament. Once you've done this follow the appropriate wiring diagram that pertains to your application and wire in the filaments accordingly.
2. For 2-pins lamps, each pin will correspond to an internally shorted filament, using this information follow the appropriate wiring diagram that pertains to your application and wire in the filaments accordingly.

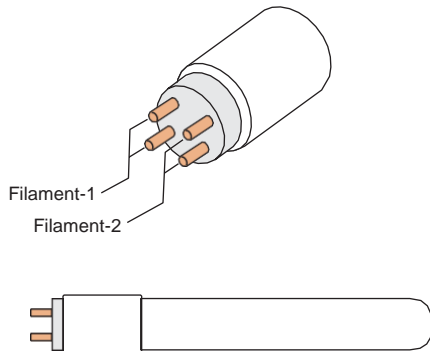
4- Pin (two pins on per side) Double Ended Lamp



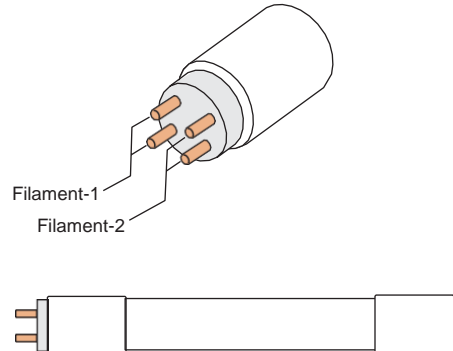
2-Pin (Single pin per side) Double Ended Lamp



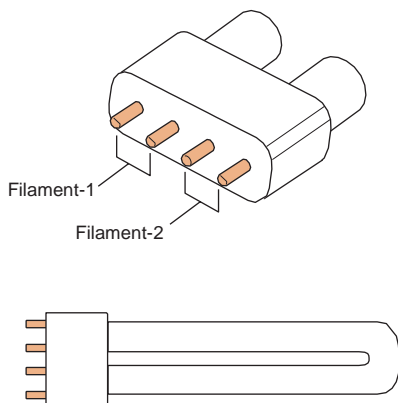
4-Pin Single Ended Lamp



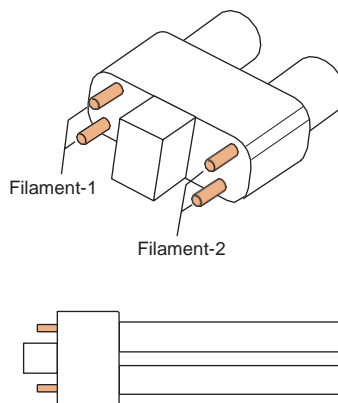
4-Pin Single Ended Lamp



4-Pin Linear 2G7/2G11 Base Lamp



4-Pin G32 Base Lamp



2-Pin G23/PL-S/GX23/ Base Lamp

