

**SPECIFICATION SHEET : WHSG7-120-T12HO**

This Is An Original Product From Fulham Co., Inc

**Description : WORKHORSE Specifier Grade Series Electronic Ballast, Drop In Replacement for Magnetic Ballast, Series Lamp Operation, THD Less Than 10%**

**This Ballast Will Operate Following Lamps.**

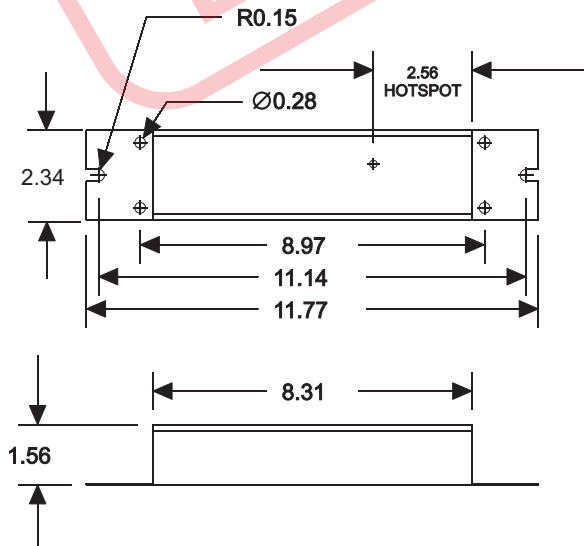


F96T12HO, F96T12/ES/HO, F72T12HO  
 F60T12HO, F48T12HO

**ELECTRICAL DATA**

INPUT VOLT: 120V ± 10%, 50/60Hz							
LAMP WATTS/TYPE	F96T12HO	F96T12/ES/HO	-	-	-	-	-
LAMPS OPERATED	1						
INPUT WATTS	108	90					
LINE CURRENT:	0.90	0.76					
POWER FACTOR	0.99	0.99					
BALLAST FACTOR	0.96	0.95					
EFFICACY FACTOR	0.89	1.05					
THD	3%	3%					
CURRENT CREST FACTOR	< 2.5						
EMI/RFI COMPLIANCE	FCC PART 18-A (NON-CONSUMER)						
SOUND RATING	" A "						
BALLAST TYPE	RAPID START						
VOLTAGE TRANSIENTS	ANSI C82.11 - 1993						
INPUT/PROTECTION	FUSE						
OUTPUT/PROTECTION	-						
MIN. STARTING TEMP	29 °C ( -20 °F )						
MAX. CASE TEMP	75 °C ( 167 °F )						
TYPE "HL" APPROVAL	APPROVED FOR HAZARDOUS LOCATION						
ENERGY STAR 4.0	-						
APPROVALS/CLASS	UL /cUL LISTED, CLASS " P ", 1 OUTDOOR						
REMOTE MOUNTING	18 FT MAX.						

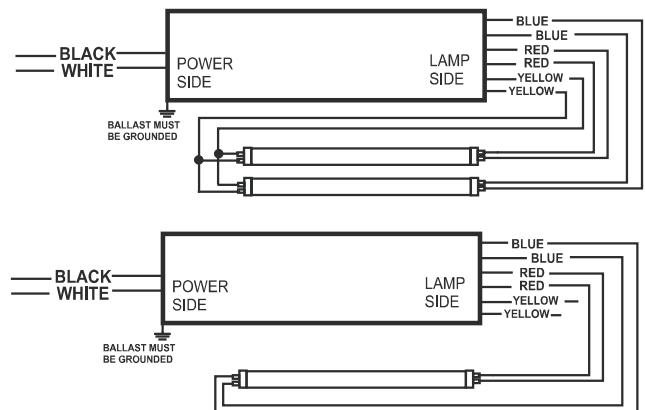
**MECHANICAL DATA**



Where : L = Length, W = Width, H = Height

**WIRING DIAGRAMS**

WIRE	BLACK	WHITE	RED	BLUE	YELLOW	BROWN
LENGTH - INCHES	22 ± 1"	22 ± 1"	46 ± 1"	46 ± 1"	70 ± 1"	



NOTE : This Ballast Case Must Be Grounded

Fulham Co., Inc extends limited warranty only to the original purchaser or to the first user for the period of 5 years from the date of manufacture as indicated by the date code stamped on each product and when properly installed and under normal conditions of use. For additional warranty guide line, please refer to our Complete Product Catalog OR call Customer Service at 1-323-599-5000.

DUE TO A PROGRAM OF CONTINUOUS IMPROVEMENT, FULHAM Co., INC RESERVES THE RIGHT TO MAKE ANY VARIATION IN DESIGN OR CONSTRUCTION TO THE EQUIPMENT DESCRIBED.

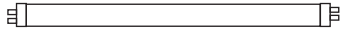
Address : 12705 South Van Ness Ave., Hawthorne, CA 90250 Tel.: 1-323-599-5000, Fax.: 1-323-754-9060. Website: [www.fulham.com](http://www.fulham.com) 02-2006-150-1 rev C

**SPECIFICATION SHEET : WHSG7-120-T12HO**

This Is An Original Product From Fulham Co., Inc

**Description : WORKHORSE Specifier Grade Series Electronic Ballast, Drop In Replacement for Magnetic Ballast, Series Lamp Operation, THD Less Than 10%**

**This Ballast Will Operate Following Lamps.**

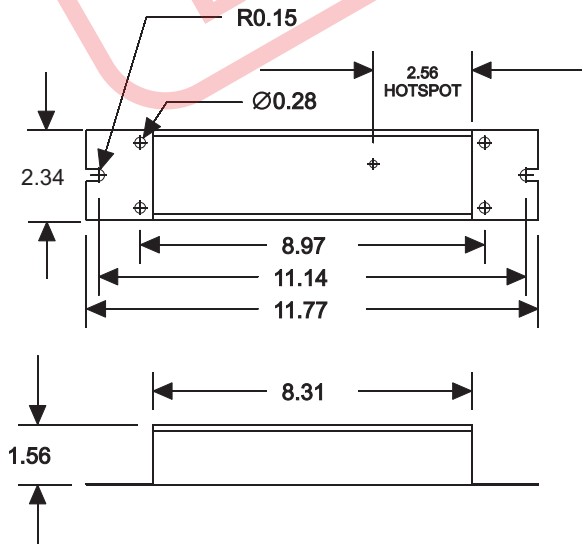


**F96T12HO, F96T12/ES/HO, F72T12HO  
 F60T12HO, F48T12HO**

**ELECTRICAL DATA**

INPUT VOLT: 120V ± 10%, 50/60Hz							
LAMP WATTS/TYPE	F96T12HO	F72T12HO	F60T12HO	F48T12HO	F96T12/ES/HO	-	-
LAMPS OPERATED	2						
INPUT WATTS	200	157	140	114	167		
LINE CURRENT:	1.67	1.31	1.17	0.96	1.40		
POWER FACTOR	0.99	0.99	0.99	0.99	0.99		
BALLAST FACTOR	0.89	1.00	1.04	1.02	0.88		
EFFICACY FACTOR	0.44	0.64	0.74	0.89	0.53		
THD	2%	3%	3%	3%	3%		
CURRENT CREST FACTOR	< 2.5						
EMI/RFI COMPLIANCE	FCC PART 18-A (NON-CONSUMER)						
SOUND RATING	" A "						
BALLAST TYPE	RAPID START						
VOLTAGE TRANSIENTS	ANSI C82.11 - 1993						
INPUT/PROTECTION	FUSE						
OUTPUT/PROTECTION	-						
MIN. STARTING TEMP	29 °C ( -20 ° F )						
MAX. CASE TEMP	75 °C ( 167 ° F )						
TYPE "HL" APPROVAL	APPROVED FOR HAZARDOUS LOCATION						
ENERGY STAR 4.0	-						
APPROVALS/CLASS	UL /cUL LISTED, CLASS " P ", 1 OUTDOOR						
REMOTE MOUNTING	18 FT MAX.						

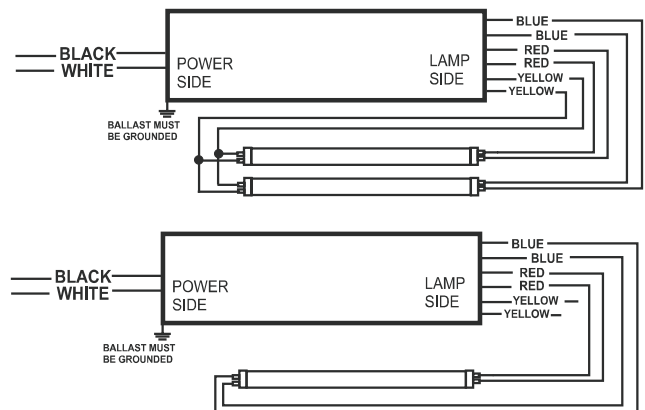
**MECHANICAL DATA**



Where : L = Length, W = Width, H = Height

**WIRING DIAGRAMS**

WIRE	BLACK	WHITE	RED	BLUE	YELLOW	BROWN
LENGTH - INCHES	22 ± 1"	22 ± 1"	46 ± 1"	46 ± 1"	70 ± 1"	



**NOTE : This Ballast Case Must Be Grounded**

Fulham Co., Inc extends limited warranty only to the original purchaser or to the first user for the period of 5 years from the date of manufacture as indicated by the date code stamped on each product and when properly installed and under normal conditions of use. For additional warranty guide line, please refer to our Complete Product Catalog OR call Customer Service at 1-323-599-5000.

DUE TO A PROGRAM OF CONTINUOUS IMPROVEMENT, FULHAM Co., INC RESERVES THE RIGHT TO MAKE ANY VARIATION IN DESIGN OR CONSTRUCTION TO THE EQUIPMENT DESCRIBED.

Address : 12705 South Van Ness Ave., Hawthorne, CA 90250 Tel.: 1-323-599-5000, Fax.: 1-323-754-9060. Website: [www.fulham.com](http://www.fulham.com) 02-2006-150-2 rev C