

SPECIFICATION SHEET: **WHSG3-UNV-T8-LB**

This Is An Original Product From Fulham Co., Inc.

**Description:** WORKHORSE Specifier Grade Series Electronic Ballast, Drop In Replacement For Magnetic Ballast, Parallel Lamp Operation, THD Less Than 10%

**This Ballast Will Operate Following Lamps:**

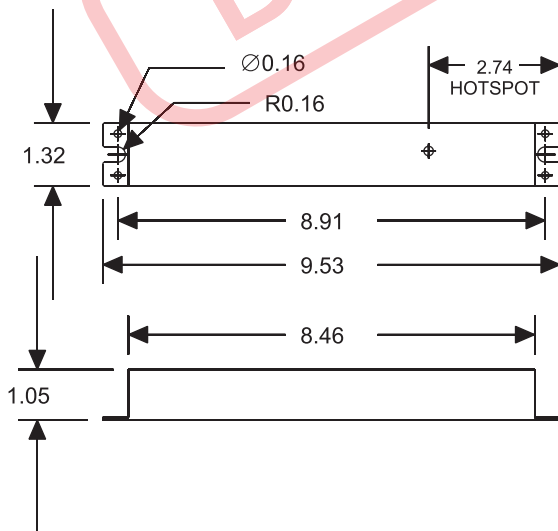


F17T8, F25T8, F32T8/25, F32T8/28,  
 F32T8/30, FBO28T8, FBO31T8,  
 FBO32T8, F32T8 F32T8, F40T8

**ELECTRICAL DATA**

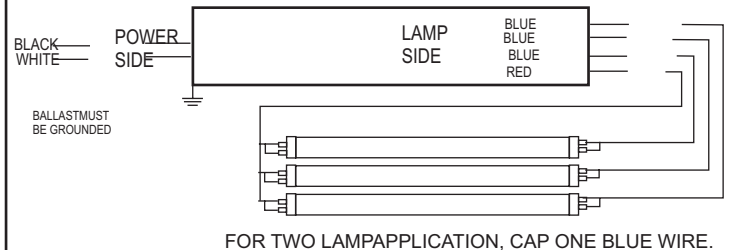
INPUT VOLT	120V ± 10%, 50/60Hz							
LAMP WATTS/TYPE	F32T8/25	F32T8/28	F32T8/30	FBO28T8	FBO31T8	FBO32T8	F32T8	F40T8
LAMPS OPERATED	2 (TWO)							
INPUT WATTS	48	49	54	48	55	58	58	71
LINE CURRENT	0.41	0.42	0.45	0.42	0.46	0.49	0.49	0.60
POWER FACTOR	0.98	0.98	0.98	0.98	0.98	0.98	0.98	0.98
BALLAST FACTOR	0.95	0.92	0.92	0.92	0.92	0.92	0.92	0.87
BALLAST EFFICACY FACTOR	1.97	1.87	1.70	1.91	1.67	1.53	1.53	1.22
THD	10%	10%	10%	10%	10%	10%	10%	10%
CURRENT CREST FACTOR	1.7	1.7	1.7	1.7	1.7	1.7	1.7	1.7
EMI/RFI COMPLIANCE	FCC PART 18-A (NON-CONSUMER)							
SOUND RATING	"A"							
BALLAST TYPE	INSTANT START							
VOLTAGE TRANSIENTS	ANSI C82.11-2005							
INPUT/PROTECTION	FUSE							
OUTPUT/PROTECTION	-							
MIN. STATING TEMP.	-18°C (0°F)							
MAX. CASE TEMP.	75°C (167°F)							
TYPE "HL" APPROVAL	APPROVED FOR HAZARDOUS LOCATION							
ENERGY STAR 4.0	-							
APPROVALS/CLASS	UL/cUL LISTED. CLASS P, 1 OUTDOOR							
REMOTE MOUNTING	18 FT MAX.							

**MECHANICAL DATA**



**WIRING DIAGRAMS**

WIRE	BLACK	WHITE	RED	BLUE	YELLOW	BROWN
LENGTH-INCHES	25±1"	25±1"	46±1"	31±1"	-	-



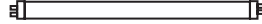
FOR TWO LAMP APPLICATION, CAP ONE BLUE WIRE.

**NOTE: This Ballast Must Be Grounded.**

This Is An Original Product From Fulham Co., Inc.

**Description:** WORKHORSE Specifer Grade Series Electronic Ballast, Drop In Replacement For Magnetic Ballast, Parallel Lamp Operation, THD Less Than 10%

**This Ballast Will Operate Following Lamps:**

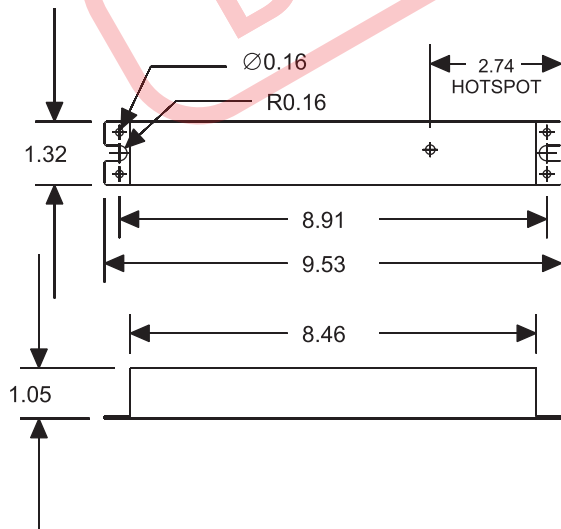


F17T8, F25T8, F32T8/25, F32T8/28,  
F32T8/30, FBO28T8, FBO31T8,  
FBO32T8, F32T8 F32T8, F40T8

### ELECTRICAL DATA

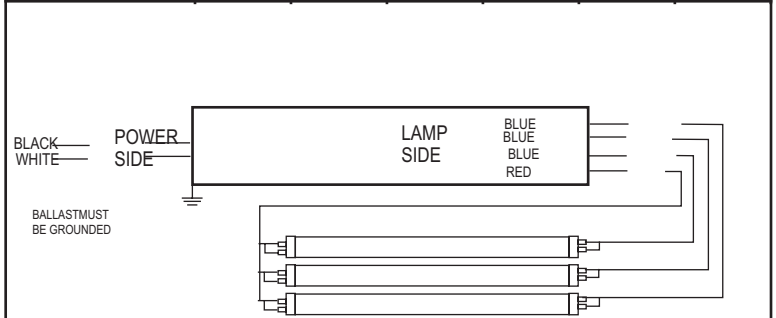
INPUT VOLT	120V ± 10%, 50/60Hz								
LAMP WATTS/TYPE	F17T8	F25T8	F32T8/25	F32T8/28	F32T8/30	FBO28T8	FBO31T8	FBO32T8	F32T8
LAMPS OPERATED	3 (THREE)								
INPUT WATTS	43	60	63	64	71	65	73	76	76
LINE CURRENT	0.37	0.51	0.53	0.55	0.60	0.55	0.60	0.64	0.64
POWER FACTOR	0.98	0.98	0.98	0.98	0.98	0.98	0.98	0.98	0.98
BALLAST FACTOR	0.86	0.82	0.85	0.81	0.81	0.81	0.81	0.78	0.78
BALLAST EFFICACY FACTOR	1.95	1.34	1.34	1.26	1.14	1.24	1.10	1.03	1.03
THD	10%	10%	10%	10%	10%	10%	10%	10%	10%
CURRENT CREST FACTOR	1.7	1.7	1.7	1.7	1.7	1.7	1.7	1.7	1.7
EMI/RFI COMPLIANCE	FCC PART 18-A (NON-CONSUMER)								
SOUND RATING	"A"								
BALLAST TYPE	INSTANT START								
VOLTAGE TRANSIENTS	ANSI C82.11-2005								
INPUT/PROTECTION	FUSE								
OUTPUT/PROTECTION	-								
MIN. STATING TEMP.	-18°C (0°F)								
MAX. CASE TEMP.	75°C (167°F)								
TYPE "HL" APPROVAL	APPROVED FOR HAZARDOUS LOCATION								
ENERGY STAR 4.0	-								
APPROVALS/CLASS	UL/cUL LISTED. CLASS P, 1 OUTDOOR								
REMOTE MOUNTING	18 FT MAX.								

### MECHANICAL DATA



### WIRING DIAGRAMS

WIRE	BLACK	WHITE	RED	BLUE	YELLOW	BROWN
LENGTH-INCHES	24±1"	24±1"	46±1"	32±1"	-	-



FOR TWO LAMP APPLICATION, CAP ONE BLUE WIRE.

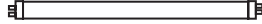
**NOTE: This Ballast Must Be Grounded.**

# SPECIFICATION SHEET: WHSG3-UNV-T8-LB

This Is An Original Product From Fulham Co., Inc.

**Description:** WORKHORSE Specifer Grade Series Electronic Ballast, Drop In Replacement For Magnetic Ballast, Parallel Lamp Operation, THD Less Than 10%

**This Ballast Will Operate Following Lamps:**

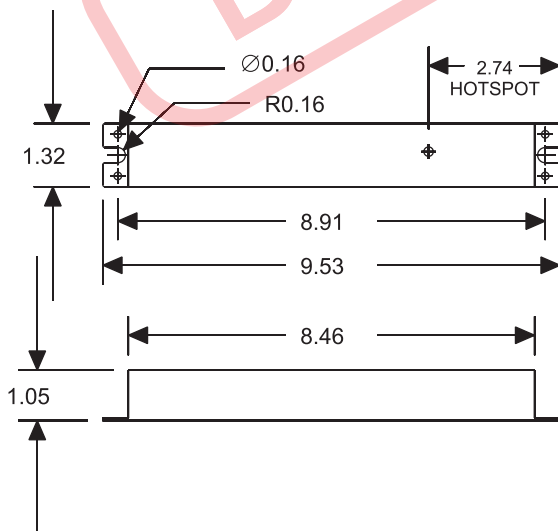


F17T8, F25T8, F32T8/25, F32T8/28,  
F32T8/30, FBO28T8, FBO31T8,  
FBO32T8, F32T8 F32T8, F40T8

## ELECTRICAL DATA

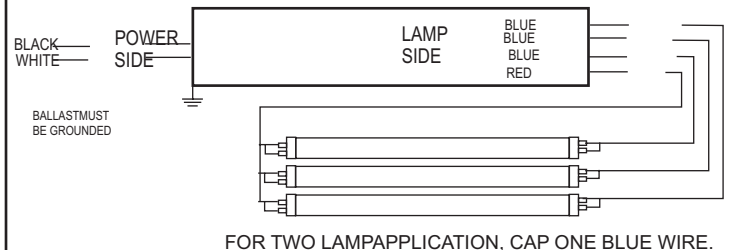
INPUT VOLT	230V ± 10%, 50/60Hz							
LAMP WATTS/TYPE	F32T8/25	F32T8/28	F32T8/30	FBO28T8	FBO31T8	FBO32T8	F32T8	F40T8
LAMPS OPERATED	2 (TWO)							
INPUT WATTS	47	48	53	48	54	57	57	70
LINE CURRENT	0.22	0.22	0.24	0.22	0.24	0.26	0.26	0.31
POWER FACTOR	0.95	0.95	0.97	0.95	0.97	0.97	0.95	0.98
BALLAST FACTOR	0.92	0.92	0.92	0.92	0.92	0.92	0.92	0.87
BALLAST EFFICACY FACTOR	2.02	1.91	1.72	1.91	1.70	1.61	1.61	1.24
THD	15%	15%	15%	15%	15%	15%	15%	15%
CURRENT CREST FACTOR	1.7	1.7	1.7	1.7	1.7	1.7	1.7	1.7
EMI/RFI COMPLIANCE	FCC PART 18-A (NON-CONSUMER)							
SOUND RATING	"A"							
BALLAST TYPE	INSTANT START							
VOLTAGE TRANSIENTS	ANSI C82.11-2005							
INPUT/PROTECTION	FUSE							
OUTPUT/PROTECTION	-							
MIN. STATING TEMP.	-18°C (0°F)							
MAX. CASE TEMP.	75°C (167°F)							
TYPE "HL" APPROVAL	APPROVED FOR HAZARDOUS LOCATION							
ENERGY STAR 4.0	-							
APPROVALS/CLASS	UL/cUL LISTED. CLASS P, 1 OUTDOOR							
REMOTE MOUNTING	18 FT MAX.							

## MECHANICAL DATA



## WIRING DIAGRAMS

WIRE	BLACK	WHITE	RED	BLUE	YELLOW	BROWN
LENGTH-INCHES	25±1"	25±1"	46±1"	31±1"	-	-



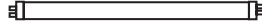
NOTE: This Ballast Must Be Grounded.

# SPECIFICATION SHEET: WHSG3-UNV-T8-LB

This Is An Original Product From Fulham Co., Inc.

**Description:** WORKHORSE Specifer Grade Series Electronic Ballast, Drop In Replacement For Magnetic Ballast, Parallel Lamp Operation, THD Less Than 10%

**This Ballast Will Operate Following Lamps:**

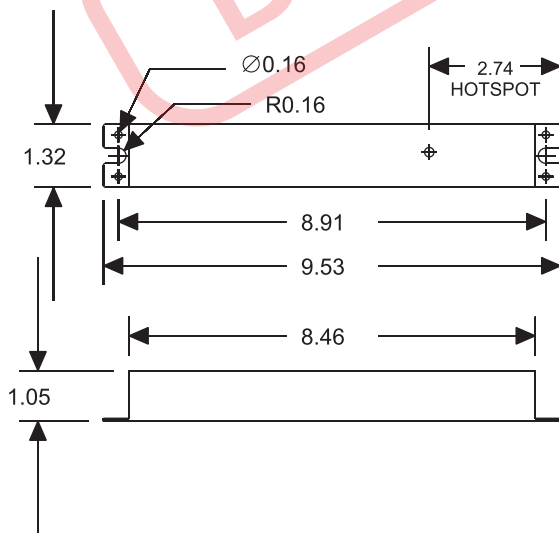


F17T8, F25T8, F32T8/25, F32T8/28,  
F32T8/30, FBO28T8, FBO31T8,  
FBO32T8, F32T8 F32T8, F40T8

## ELECTRICAL DATA

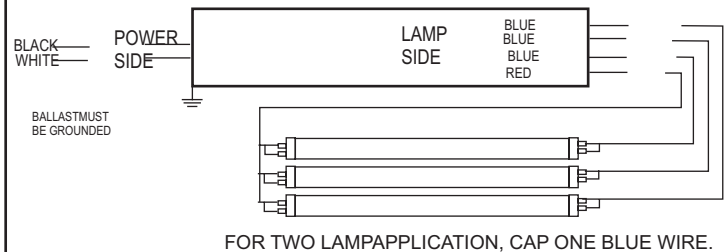
INPUT VOLT	230V ± 10%, 50/60Hz								
LAMP WATTS/TYPE	F17T8	F25T8	F32T8/25	F32T8/28	F32T8/30	FBO28T8	FBO31T8	FBO32T8	F32T8
LAMPS OPERATED	3 (THREE)								
INPUT WATTS	43	58	61	63	70	64	71	74	74
LINE CURRENT	0.20	0.27	0.28	0.29	0.31	0.29	0.32	0.33	0.33
POWER FACTOR	0.95	0.95	0.95	0.95	0.98	0.97	0.97	0.98	0.98
BALLAST FACTOR	0.86	0.82	0.85	0.81	0.81	0.81	0.81	0.78	0.78
BALLAST EFFICACY FACTOR	2.00	1.36	1.39	1.28	1.15	1.26	1.14	1.05	1.05
THD	15%	15%	15%	15%	15%	15%	10%	10%	10%
CURRENT CREST FACTOR	1.7	1.7	1.7	1.7	1.7	1.7	1.7	1.7	1.7
EMI/RFI COMPLIANCE	FCC PART 18-A (NON-CONSUMER)								
SOUND RATING	"A"								
BALLAST TYPE	INSTANT START								
VOLTAGE TRANSIENTS	ANSI C82.11-2005								
INPUT/PROTECTION	FUSE								
OUTPUT/PROTECTION	-								
MIN. STATING TEMP.	-18°C (0°F)								
MAX. CASE TEMP.	75°C (167°F)								
TYPE "HL" APPROVAL	APPROVED FOR HAZARDOUS LOCATION								
ENERGY STAR 4.0	-								
APPROVALS/CLASS	UL/cUL LISTED. CLASS P, 1 OUTDOOR								
REMOTE MOUNTING	18 FT MAX.								

## MECHANICAL DATA



## WIRING DIAGRAMS

WIRE	BLACK	WHITE	RED	BLUE	YELLOW	BROWN
LENGTH-INCHES	24±1"	24±1"	46±1"	32±1"	-	-



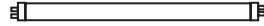
**NOTE: This Ballast Must Be Grounded.**

# SPECIFICATION SHEET: WHSG3-UNV-T8-LB

This Is An Original Product From Fulham Co., Inc.

**Description:** WORKHORSE Specifer Grade Series Electronic Ballast, Drop In Replacement For Magnetic Ballast, Parallel Lamp Operation, THD Less Than 10%

**This Ballast Will Operate Following Lamps:**

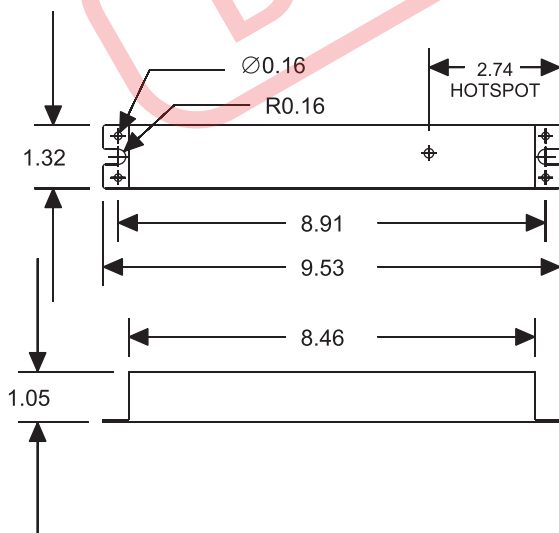


F17T8, F25T8, F32T8/25, F32T8/28,  
F32T8/30, FBO28T8, FBO31T8,  
FBO32T8, F32T8 F32T8, F40T8

## ELECTRICAL DATA

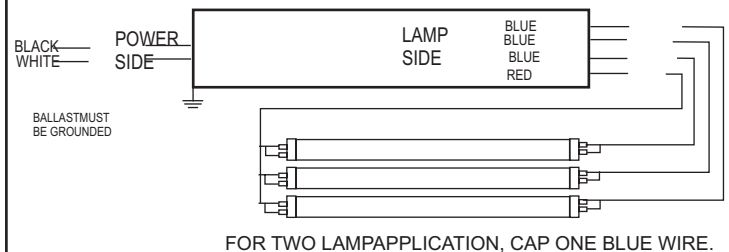
INPUT VOLT	277V ± 10%, 50/60Hz							
LAMP WATTS/TYPE	F32T8/25	F32T8/28	F32T8/30	FBO28T8	FBO31T8	FBO32T8	F32T8	F40T8
LAMPS OPERATED	2 (TWO)							
INPUT WATTS	47	48	53	48	54	57	57	70
LINE CURRENT	0.18	0.185	0.20	0.185	0.20	0.21	0.21	0.26
POWER FACTOR	0.95	0.95	0.97	0.95	0.97	0.97	0.95	0.98
BALLAST FACTOR	0.92	0.92	0.92	0.92	0.92	0.92	0.92	0.87
BALLAST EFFICACY FACTOR	2.02	1.91	1.72	1.91	1.70	1.61	1.61	1.24
THD	15%	15%	15%	15%	15%	15%	15%	15%
CURRENT CREST FACTOR	1.7	1.7	1.7	1.7	1.7	1.7	1.7	1.7
EMI/RFI COMPLIANCE	FCC PART 18-A (NON-CONSUMER)							
SOUND RATING	"A"							
BALLAST TYPE	INSTANT START							
VOLTAGE TRANSIENTS	ANSI C82.11-2005							
INPUT/PROTECTION	FUSE							
OUTPUT/PROTECTION	-							
MIN. STATING TEMP.	-18°C (0°F)							
MAX. CASE TEMP.	75°C (167°F)							
TYPE "HL" APPROVAL	APPROVED FOR HAZARDOUS LOCATION							
ENERGY STAR 4.0	-							
APPROVALS/CLASS	UL/cUL LISTED. CLASS P, 1 OUTDOOR							
REMOTE MOUNTING	18 FT MAX.							

## MECHANICAL DATA



## WIRING DIAGRAMS

WIRE	BLACK	WHITE	RED	BLUE	YELLOW	BROWN
LENGTH-INCHES	25±1"	25±1"	46±1"	31±1"	-	-



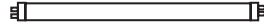
**NOTE: This Ballast Must Be Grounded.**

# SPECIFICATION SHEET: WHSG3-UNV-T8-LB

This Is An Original Product From Fulham Co., Inc.

**Description:** WORKHORSE Specifer Grade Series Electronic Ballast, Drop In Replacement For Magnetic Ballast, Parallel Lamp Operation, THD Less Than 10%

**This Ballast Will Operate Following Lamps:**

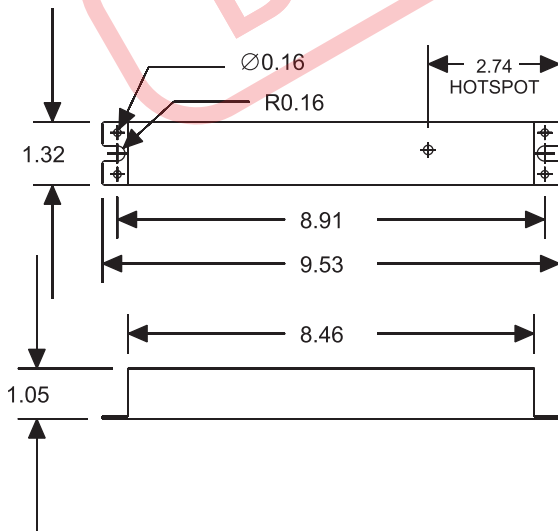


F17T8, F25T8, F32T8/25, F32T8/28,  
F32T8/30, FBO28T8, FBO31T8,  
FBO32T8, F32T8 F32T8, F40T8

## ELECTRICAL DATA

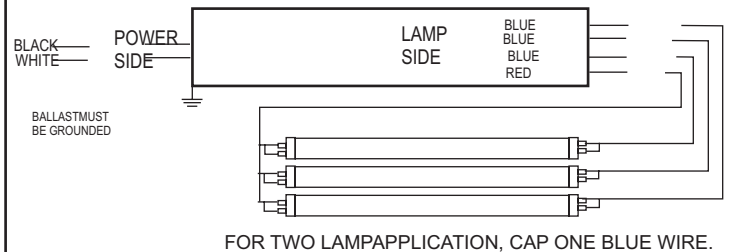
INPUT VOLT	277V ± 10%, 50/60Hz								
LAMP WATTS/TYPE	F17T8	F25T8	F32T8/25	F32T8/28	F32T8/30	FBO28T8	FBO31T8	FBO32T8	F32T8
LAMPS OPERATED	3 (THREE)								
INPUT WATTS	43	58	61	63	70	64	71	74	74
LINE CURRENT	0.16	0.22	0.23	0.24	0.26	0.24	0.26	0.27	0.27
POWER FACTOR	0.95	0.95	0.95	0.95	0.98	0.97	0.97	0.98	0.98
BALLAST FACTOR	0.86	0.82	0.85	0.81	0.81	0.81	0.81	0.78	0.78
BALLAST EFFICACY FACTOR	2.00	1.36	1.39	1.28	1.15	1.26	1.14	1.05	1.05
THD	15%	15%	15%	15%	15%	15%	10%	10%	10%
CURRENT CREST FACTOR	1.7	1.7	1.7	1.7	1.7	1.7	1.7	1.7	1.7
EMI/RFI COMPLIANCE	FCC PART 18-A (NON-CONSUMER)								
SOUND RATING	"A"								
BALLAST TYPE	INSTANT START								
VOLTAGE TRANSIENTS	ANSI C82.11-2005								
INPUT/PROTECTION	FUSE								
OUTPUT/PROTECTION	-								
MIN. STATING TEMP.	-18°C (0°F)								
MAX. CASE TEMP.	75°C (167°F)								
TYPE "HL" APPROVAL	APPROVED FOR HAZARDOUS LOCATION								
ENERGY STAR 4.0	-								
APPROVALS/CLASS	UL/cUL LISTED. CLASS P, 1 OUTDOOR								
REMOTE MOUNTING	18 FT MAX.								

## MECHANICAL DATA



## WIRING DIAGRAMS

WIRE	BLACK	WHITE	RED	BLUE	YELLOW	BROWN
LENGTH-INCHES	24±1"	24±1"	46±1"	32±1"	-	-



NOTE: This Ballast Must Be Grounded.