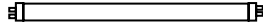


SPECIFICATION SHEET: **WHSG2-UNV-T8-LB**

This Is An Original Product From Fulham Co., Inc.

Description: WORKHORSE Specifer Grade Series Electronic Ballast, Drop In Replacement For Magnetic Ballast, Parallel Lamp Operation, THD Less Than 10%

This Ballast Will Operate Following Lamps:

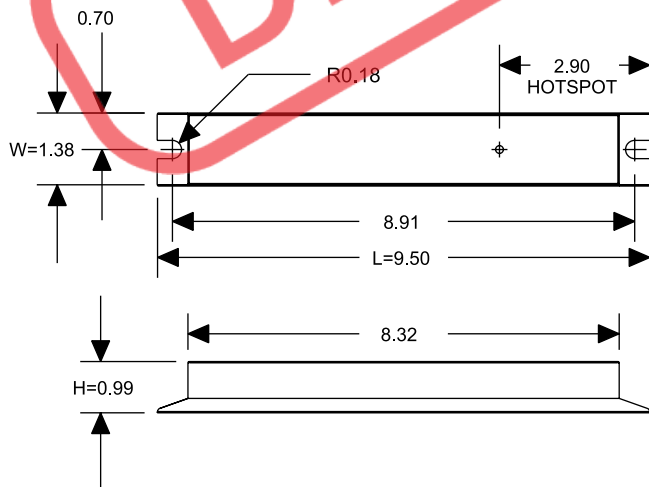


F17T8, F25T8, F32T8, FBO31T8, F40T8,
 F32T8/30W, F32T8/28W, F32T8/25W

ELECTRICAL DATA

INPUT VOLT	120V ± 10%, 50/60Hz							
LAMP WATTS/TYPE	F17T8	F25T8	F32T8	F40T8	FBO31T8	F32T8/25	F32T8/28	F32T8/30
LAMPS OPERATED	1 (ONE)							
INPUT WATTS	19	25	32	40	31	25	28	31
LINE CURRENT	0.16	0.22	0.27	0.34	0.26	0.22	0.24	0.26
POWER FACTOR	≥ 0.95	≥ 0.98	≥ 0.98	≥ 0.98	≥ 0.98	≥ 0.98	≥ 0.98	≥ 0.98
BALLAST FACTOR	0.96	0.94	0.93	0.91	0.93	0.93	0.93	0.93
BALLAST EFFICACY FACTOR	5.05	3.72	2.90	2.27	3.00	3.72	3.32	3.00
THD	≤ 10%	≤ 10%	≤ 10%	≤ 10%	≤ 10%	≤ 10%	≤ 10%	≤ 10%
CURRENT CREST FACTOR	≤ 1.7	≤ 1.7	≤ 1.7	≤ 1.7	≤ 1.7	≤ 1.7	≤ 1.7	≤ 1.7
EMI/RFI COMPLIANCE	FCC PART 18-A (NON-CONSUMER)							
SOUND RATING	"A"							
BALLAST TYPE	INSTANT START							
VOLTAGE TRANSIENTS	ANSI C82.11-1993							
INPUT/PROTECTION	FUSE							
OUTPUT/PROTECTION	-							
MIN. STATING TEMP.	-18°C (0°F)							
MAX. CASE TEMP.	70°C (158°F)							
TYPE "HL" APPROVAL	APPROVED FOR HAZARDOUS LOCATION							
ENERGY STAR 4.0	-							
APPROVALS/CLASS	UL/cUL LISTED. CLASS P, 1 OUTDOOR							

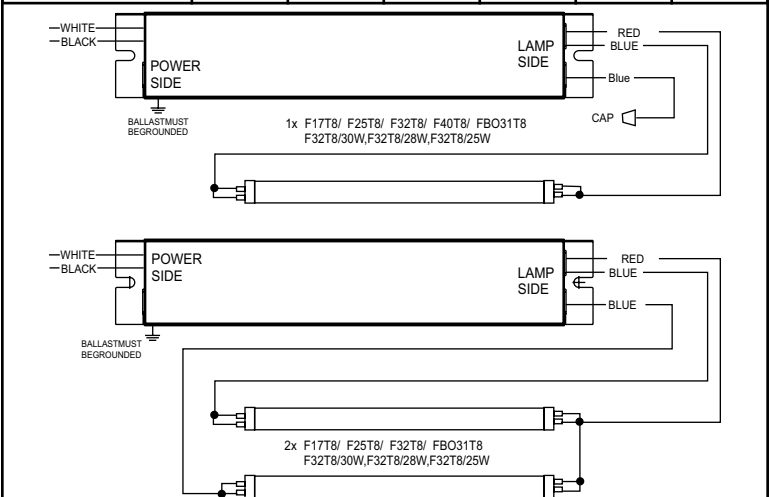
MECHANICAL DATA



Where:

WIRING DIAGRAMS

WIRE	BLACK	WHITE	RED	BLUE	YELLOW	BROWN
LENGTH-INCHES	24±1"	24±1"	46±1"	32±1"	-	-



NOTE: This Ballast Must Be Grounded.

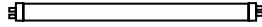
Fulham Co., Inc extends limited warranty only to the original purchaser or to the first user for the period of **5 years** from the date of manufacture as indicated by the date code stamped on each product and when properly installed and under normal conditions of use. For additional warranty guide line, please refer to our complete product catalog or call customer service at **1-323-599-5000**. DUE TO A PROGRAM OF CONTINUOUS IMPROVEMENT, FULHAM Co., INC RESERVES THE RIGHT TO MAKE ANY VARIATION IN DESIGN OR CONSTRUCTION TO THE EQUIPMENT DESCRIBED. Data is based upon tests performed by Fulham in a controlled environment and representative of relative performance. Actual performance can vary depending on operating conditions. Address: 12705 S. Van Ness Ave., Hawthorne, CA 90250 Website: www.fulham.com To order this product: Fax: 1-323-754-9060 Email: order@fulham.com

SPECIFICATION SHEET: WHSG2-UNV-T8-LB

This Is An Original Product From Fulham Co., Inc.

Description: WORKHORSE Specifer Grade Series Electronic Ballast, Drop In Replacement For Magnetic Ballast, Parallel Lamp Operation, THD Less Than 10%

This Ballast Will Operate Following Lamps:

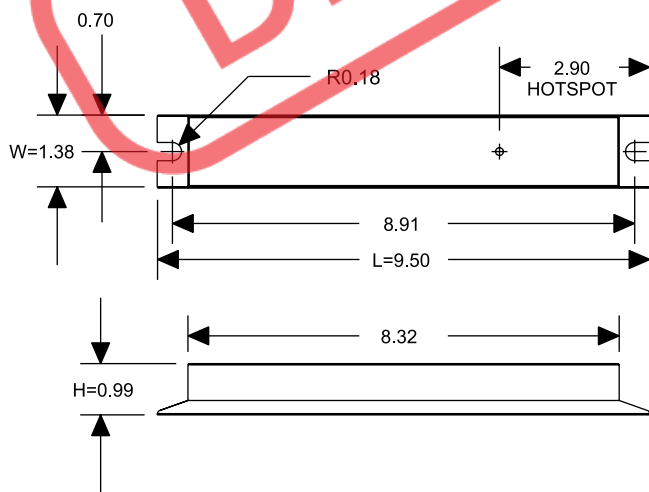


F17T8, F25T8, F32T8, FBO31T8, F40T8,
 F32T8/30W, F32T8/28W, F32T8/25W

ELECTRICAL DATA

INPUT VOLT	120V ± 10%, 50/60Hz							
LAMP WATTS/TYPE	F17T8	F25T8	F32T8	F40T8	FBO31T8	F32T8/25	F32T8/28	F32T8/30
LAMPS OPERATED	1 (ONE)							
INPUT WATTS	19	25	32	40	31	25	28	31
LINE CURRENT	0.16	0.22	0.27	0.34	0.26	0.22	0.24	0.26
POWER FACTOR	≥ 0.95	≥ 0.98	≥ 0.98	≥ 0.98	≥ 0.98	≥ 0.98	≥ 0.98	≥ 0.98
BALLAST FACTOR	0.96	0.94	0.93	0.91	0.93	0.93	0.93	0.93
BALLAST EFFICACY FACTOR	5.05	3.72	2.90	2.27	3.00	3.72	3.32	3.00
THD	≤ 10%	≤ 10%	≤ 10%	≤ 10%	≤ 10%	≤ 10%	≤ 10%	≤ 10%
CURRENT CREST FACTOR	≤ 1.7	≤ 1.7	≤ 1.7	≤ 1.7	≤ 1.7	≤ 1.7	≤ 1.7	≤ 1.7
EMI/RFI COMPLIANCE	FCC PART 18-A (NON-CONSUMER)							
SOUND RATING	"A"							
BALLAST TYPE	INSTANT START							
VOLTAGE TRANSIENTS	ANSI C82.11-1993							
INPUT/PROTECTION	FUSE							
OUTPUT/PROTECTION	-							
MIN. STATING TEMP.	-18°C (0°F)							
MAX. CASE TEMP.	70°C (158°F)							
TYPE "HL" APPROVAL	APPROVED FOR HAZARDOUS LOCATION							
ENERGY STAR 4.0	-							
APPROVALS/CLASS	UL/cUL LISTED. CLASS P, 1 OUTDOOR							

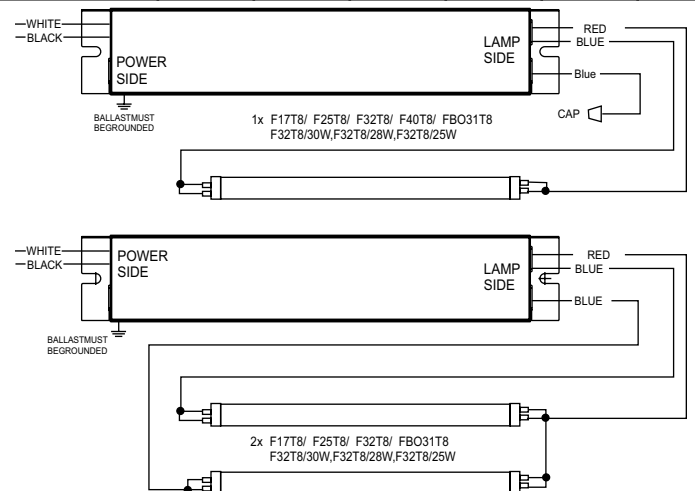
MECHANICAL DATA



Where:

WIRING DIAGRAMS

WIRE	BLACK	WHITE	RED	BLUE	YELLOW	BROWN
LENGTH-INCHES	24±1"	24±1"	46±1"	32±1"	-	-



NOTE: This Ballast Must Be Grounded.

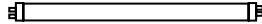
Fulham Co., Inc extends limited warranty only to the original purchaser or to the first user for the period of **5 years** from the date of manufacture as indicated by the date code stamped on each product and when properly installed and under normal conditions of use. For additional warranty guide line, please refer to our complete product catalog or call customer service at **1-323-599-5000**. DUE TO A PROGRAM OF CONTINUOUS IMPROVEMENT, FULHAM Co., INC RESERVES THE RIGHT TO MAKE ANY VARIATION IN DESIGN OR CONSTRUCTION TO THE EQUIPMENT DESCRIBED. Data is based upon tests performed by Fulham in a controlled environment and representative of relative performance. Actual performance can vary depending on operating conditions. Address: 12705 S. Van Ness Ave., Hawthorne, CA 90250 Website: www.fulham.com To order this product: Fax: 1-323-754-9060 Email: order@fulham.com

SPECIFICATION SHEET: **WHSG2-UNV-T8-LB**

This Is An Original Product From Fulham Co., Inc.

Description: WORKHORSE Specifer Grade Series Electronic Ballast, Drop In Replacement For Magnetic Ballast, Parallel Lamp Operation, THD Less Than 10%

This Ballast Will Operate Following Lamps:

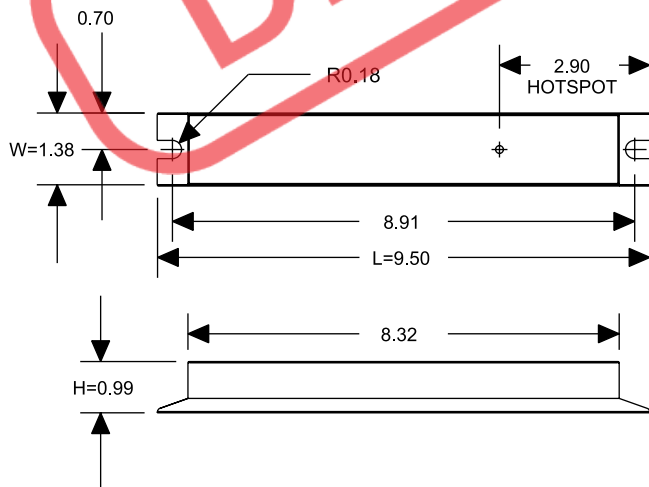


F17T8, F25T8, F32T8, FBO31T8, F40T8,
 F32T8/30W, F32T8/28W, F32T8/25W

ELECTRICAL DATA

INPUT VOLT	230V ± 10%, 50/60Hz							
LAMP WATTS/TYPE	F17T8	F25T8	F32T8	F40T8	FBO31T8	F32T8/25	F32T8/28	F32T8/30
LAMPS OPERATED	1 (ONE)							
INPUT WATTS	19	25	31	40	30	25	28	31
LINE CURRENT	0.09	0.11	0.14	0.18	0.13	0.11	0.13	0.14
POWER FACTOR	≥ 0.97	≥ 0.97	≥ 0.98	≥ 0.98	≥ 0.98	≥ 0.97	≥ 0.97	≥ 0.97
BALLAST FACTOR	0.96	0.94	0.93	0.91	0.93	0.93	0.93	0.93
BALLAST EFFICACY FACTOR	5.05	3.72	3.00	2.27	3.10	3.72	3.32	3.00
THD	≤ 15%	≤ 15%	≤ 15%	≤ 15%	≤ 15%	≤ 15%	≤ 15%	≤ 15%
CURRENT CREST FACTOR	≤ 1.7	≤ 1.7	≤ 1.7	≤ 1.7	≤ 1.7	≤ 1.7	≤ 1.7	≤ 1.7
EMI/RFI COMPLIANCE	FCC PART 18-A (NON-CONSUMER)							
SOUND RATING	"A"							
BALLAST TYPE	INSTANT START							
VOLTAGE TRANSIENTS	ANSI C82.11-1993							
INPUT/PROTECTION	FUSE							
OUTPUT/PROTECTION	-							
MIN. STATING TEMP.	-18°C (0°F)							
MAX. CASE TEMP.	70°C (158°F)							
TYPE "HL" APPROVAL	APPROVED FOR HAZARDOUS LOCATION							
ENERGY STAR 4.0	-							
APPROVALS/CLASS	UL/cUL LISTED. CLASS P, 1 OUTDOOR							

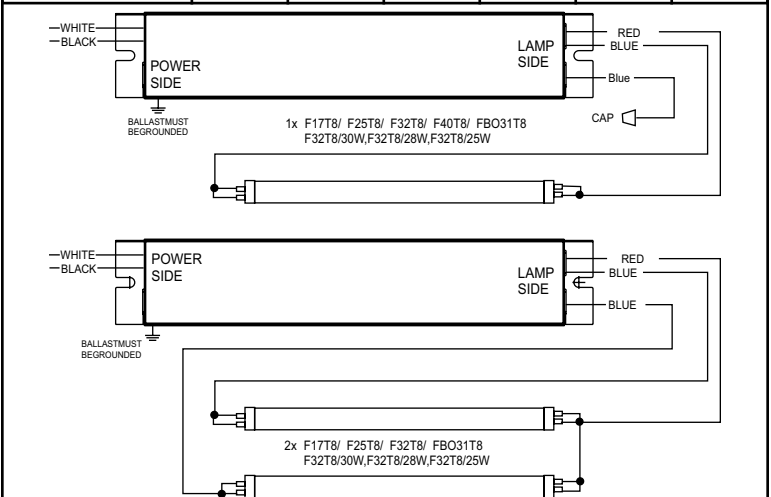
MECHANICAL DATA



Where:

WIRING DIAGRAMS

WIRE	BLACK	WHITE	RED	BLUE	YELLOW	BROWN
LENGTH-INCHES	24±1"	24±1"	46±1"	32±1"	-	-



NOTE: This Ballast Must Be Grounded.

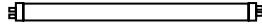
Fulham Co., Inc extends limited warranty only to the original purchaser or to the first user for the period of **5 years** from the date of manufacture as indicated by the date code stamped on each product and when properly installed and under normal conditions of use. For additional warranty guide line, please refer to our complete product catalog or call customer service at **1-323-599-5000**. DUE TO A PROGRAM OF CONTINUOUS IMPROVEMENT, FULHAM Co., INC RESERVES THE RIGHT TO MAKE ANY VARIATION IN DESIGN OR CONSTRUCTION TO THE EQUIPMENT DESCRIBED. Data is based upon tests performed by Fulham in a controlled environment and representative of relative performance. Actual performance can vary depending on operating conditions. Address: 12705 S. Van Ness Ave., Hawthorne, CA 90250 Website: www.fulham.com To order this product: Fax: 1-323-754-9060 Email: order@fulham.com

SPECIFICATION SHEET: **WHSG2-UNV-T8-LB**

This Is An Original Product From Fulham Co., Inc.

Description: WORKHORSE Specifer Grade Series Electronic Ballast, Drop In Replacement For Magnetic Ballast, Parallel Lamp Operation, THD Less Than 10%

This Ballast Will Operate Following Lamps:

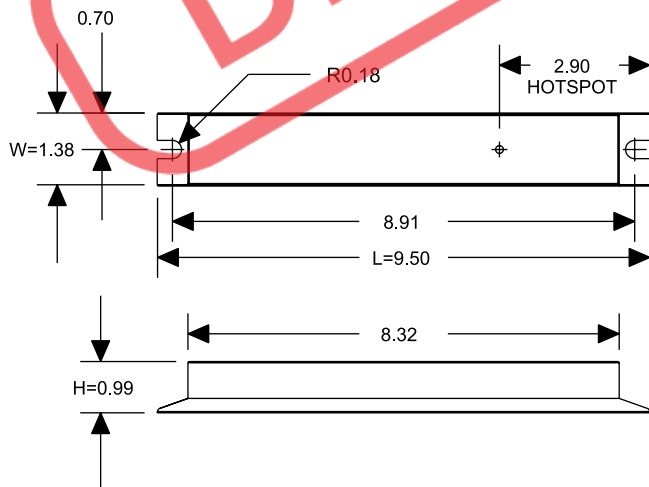


F17T8, F25T8, F32T8, FBO31T8, F40T8,
 F32T8/30W, F32T8/28W, F32T8/25W

ELECTRICAL DATA

INPUT VOLT	230V ± 10%, 50/60Hz						
LAMP WATTS/TYPE	F17T8	F25T8	F32T8	FBO31T8	F32T8/25	F32T8/28	F32T8/30
LAMPS OPERATED	2 (TWO)						
INPUT WATTS	25	40	52	49	40	44	49
LINE CURRENT	0.11	0.18	0.23	0.22	0.18	0.20	0.22
POWER FACTOR	≥ 0.98	≥ 0.98	≥ 0.98	≥ 0.98	≥ 0.98	≥ 0.98	≥ 0.98
BALLAST FACTOR	0.84	0.81	0.80	0.80	0.80	0.80	0.80
BALLAST EFFICACY FACTOR	3.36	2.02	1.54	1.63	2.00	1.81	1.63
THD	≤ 15%	≤ 15%	≤ 15%	≤ 15%	≤ 15%	≤ 15%	≤ 15%
CURRENT CREST FACTOR	≤ 1.7	≤ 1.7	≤ 1.7	≤ 1.7	≤ 1.7	≤ 1.7	≤ 1.7
EMI/RFI COMPLIANCE	FCC PART 18-A (NON-CONSUMER)						
SOUND RATING	"A"						
BALLAST TYPE	INSTANT START						
VOLTAGE TRANSIENTS	ANSI C82.11-1993						
INPUT/PROTECTION	FUSE						
OUTPUT/PROTECTION	-						
MIN. STATING TEMP.	-18°C (0°F)						
MAX. CASE TEMP.	70°C (158°F)						
TYPE "HL" APPROVAL	APPROVED FOR HAZARDOUS LOCATION						
ENERGY STAR 4.0	-						
APPROVALS/CLASS	UL/cUL LISTED. CLASS P, 1 OUTDOOR						

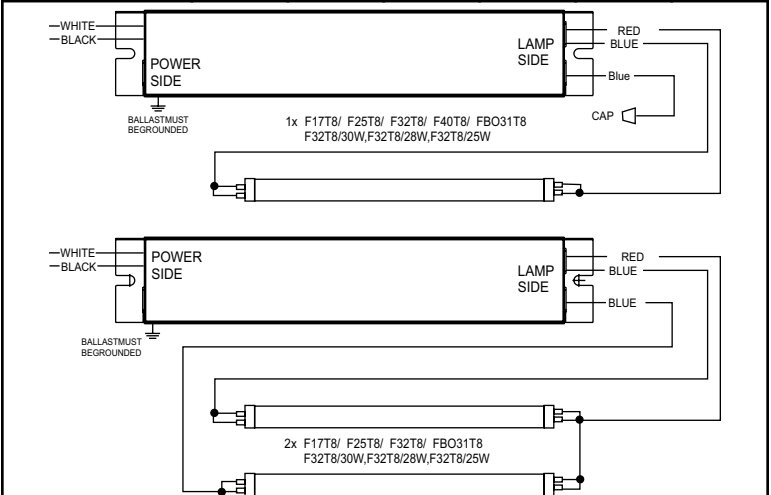
MECHANICAL DATA



Where:

WIRING DIAGRAMS

WIRE	BLACK	WHITE	RED	BLUE	YELLOW	BROWN
LENGTH-INCHES	24±1"	24±1"	46±1"	32±1"	-	-



NOTE: This Ballast Must Be Grounded.

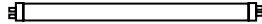
Fulham Co., Inc extends limited warranty only to the original purchaser or to the first user for the period of **5 years** from the date of manufacture as indicated by the date code stamped on each product and when properly installed and under normal conditions of use. For additional warranty guide line, please refer to our complete product catalog or call customer service at **1-323-599-5000**. DUE TO A PROGRAM OF CONTINUOUS IMPROVEMENT, FULHAM Co., INC RESERVES THE RIGHT TO MAKE ANY VARIATION IN DESIGN OR CONSTRUCTION TO THE EQUIPMENT DESCRIBED. Data is based upon tests performed by Fulham in a controlled environment and representative of relative performance. Actual performance can vary depending on operating conditions. Address: 12705 S. Van Ness Ave., Hawthorne, CA 90250 Website: www.fulham.com To order this product: Fax: 1-323-754-9060 Email: order@fulham.com

SPECIFICATION SHEET: **WHSG2-UNV-T8-LB**

This Is An Original Product From Fulham Co., Inc.

Description: WORKHORSE Specifer Grade Series Electronic Ballast, Drop In Replacement For Magnetic Ballast, Parallel Lamp Operation, THD Less Than 10%

This Ballast Will Operate Following Lamps:

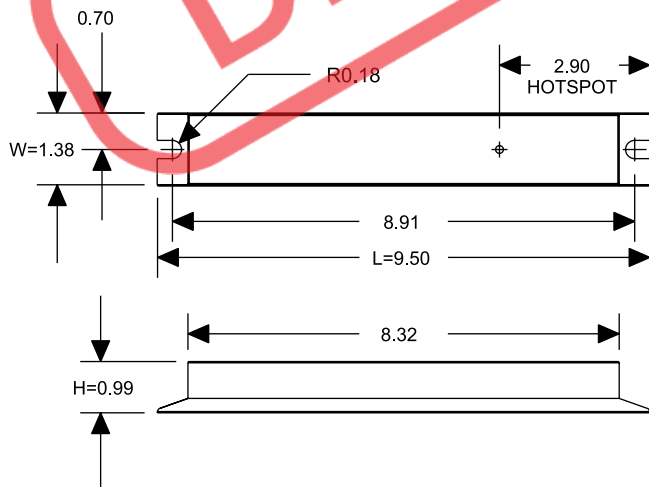


F17T8, F25T8, F32T8, FBO31T8, F40T8,
 F32T8/30W, F32T8/28W, F32T8/25W

ELECTRICAL DATA

INPUT VOLT	277V ± 10%, 50/60Hz							
LAMP WATTS/TYPE	F17T8	F25T8	F32T8	F40T8	FBO31T8	F32T8/25	F32T8/28	F32T8/30
LAMPS OPERATED	1 (ONE)							
INPUT WATTS	19	25	31	40	30	25	28	31
LINE CURRENT	0.80	0.10	0.12	0.15	0.12	0.10	0.11	0.12
POWER FACTOR	≥ 0.97	≥ 0.97	≥ 0.98	≥ 0.98	≥ 0.98	≥ 0.97	≥ 0.97	≥ 0.97
BALLAST FACTOR	0.96	0.94	0.93	0.91	0.93	0.93	0.93	0.93
BALLAST EFFICACY FACTOR	5.05	3.72	3.00	2.27	3.10	3.72	3.32	3.00
THD	≤ 15%	≤ 15%	≤ 15%	≤ 15%	≤ 15%	≤ 15%	≤ 15%	≤ 15%
CURRENT CREST FACTOR	≤ 1.7	≤ 1.7	≤ 1.7	≤ 1.7	≤ 1.7	≤ 1.7	≤ 1.7	≤ 1.7
EMI/RFI COMPLIANCE	FCC PART 18-A (NON-CONSUMER)							
SOUND RATING	"A"							
BALLAST TYPE	INSTANT START							
VOLTAGE TRANSIENTS	ANSI C82.11-1993							
INPUT/PROTECTION	FUSE							
OUTPUT/PROTECTION	-							
MIN. STATING TEMP.	-18°C (0°F)							
MAX. CASE TEMP.	70°C (158°F)							
TYPE "HL" APPROVAL	APPROVED FOR HAZARDOUS LOCATION							
ENERGY STAR 4.0	-							
APPROVALS/CLASS	UL/cUL LISTED. CLASS P, 1 OUTDOOR							

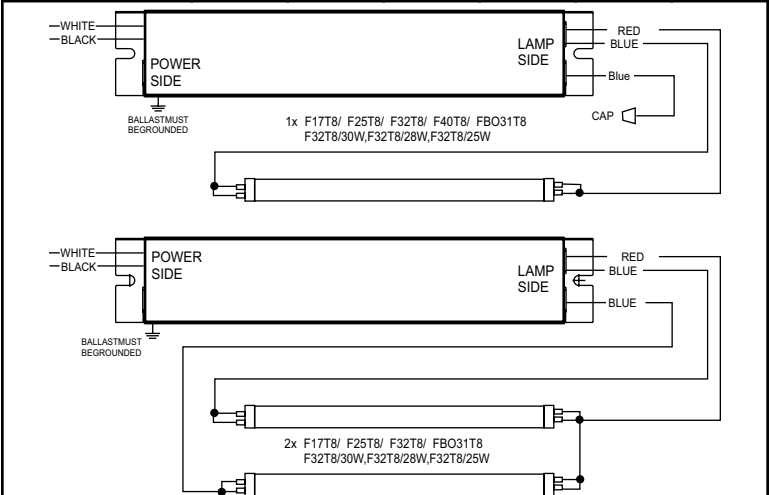
MECHANICAL DATA



Where:

WIRING DIAGRAMS

WIRE	BLACK	WHITE	RED	BLUE	YELLOW	BROWN
LENGTH-INCHES	24±1"	24±1"	46±1"	32±1"	-	-



NOTE: This Ballast Must Be Grounded.

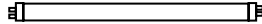
Fulham Co., Inc extends limited warranty only to the original purchaser or to the first user for the period of **5 years** from the date of manufacture as indicated by the date code stamped on each product and when properly installed and under normal conditions of use. For additional warranty guide line, please refer to our complete product catalog or call customer service at **1-323-599-5000**. DUE TO A PROGRAM OF CONTINUOUS IMPROVEMENT, FULHAM Co., INC RESERVES THE RIGHT TO MAKE ANY VARIATION IN DESIGN OR CONSTRUCTION TO THE EQUIPMENT DESCRIBED. Data is based upon tests performed by Fulham in a controlled environment and representative of relative performance. Actual performance can vary depending on operating conditions. Address: 12705 S. Van Ness Ave., Hawthorne, CA 90250 Website: www.fulham.com To order this product: Fax: 1-323-754-9060 Email: order@fulham.com

SPECIFICATION SHEET: **WHSG2-UNV-T8-LB**

This Is An Original Product From Fulham Co., Inc.

Description: WORKHORSE Specifer Grade Series Electronic Ballast, Drop In Replacement For Magnetic Ballast, Parallel Lamp Operation, THD Less Than 10%

This Ballast Will Operate Following Lamps:

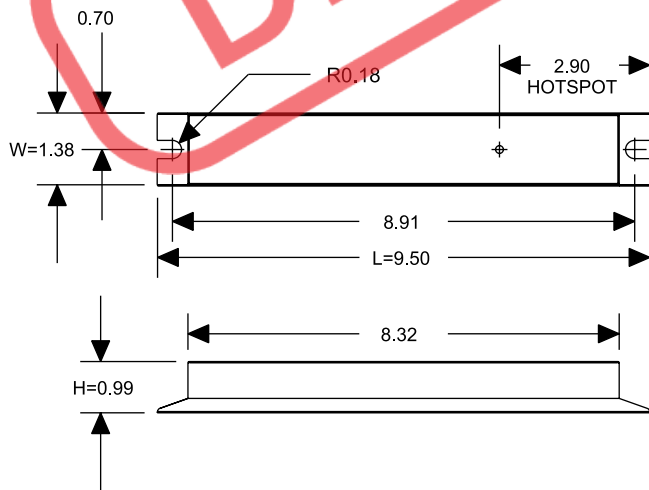


F17T8, F25T8, F32T8, FBO31T8, F40T8,
 F32T8/30W, F32T8/28W, F32T8/25W

ELECTRICAL DATA

INPUT VOLT	277V ± 10%, 50/60Hz						
LAMP WATTS/TYPE	F17T8	F25T8	F32T8	FBO31T8	F32T8/25	F32T8/28	F32T8/30
LAMPS OPERATED	2 (TWO)						
INPUT WATTS	25	40	52	49	40	44	49
LINE CURRENT	0.11	0.15	0.19	0.18	0.15	0.16	0.18
POWER FACTOR	≥ 0.98	≥ 0.98	≥ 0.98	≥ 0.98	≥ 0.98	≥ 0.98	≥ 0.98
BALLAST FACTOR	0.84	0.81	0.80	0.80	0.80	0.80	0.80
BALLAST EFFICACY FACTOR	3.36	2.02	1.54	1.63	2.00	1.81	1.63
THD	≤ 15%	≤ 15%	≤ 15%	≤ 15%	≤ 15%	≤ 15%	≤ 15%
CURRENT CREST FACTOR	≤ 1.7	≤ 1.7	≤ 1.7	≤ 1.7	≤ 1.7	≤ 1.7	≤ 1.7
EMI/RFI COMPLIANCE	FCC PART 18-A (NON-CONSUMER)						
SOUND RATING	"A"						
BALLAST TYPE	INSTANT START						
VOLTAGE TRANSIENTS	ANSI C82.11-1993						
INPUT/PROTECTION	FUSE						
OUTPUT/PROTECTION	-						
MIN. STATING TEMP.	-18°C (0°F)						
MAX. CASE TEMP.	70°C (158°F)						
TYPE "HL" APPROVAL	APPROVED FOR HAZARDOUS LOCATION						
ENERGY STAR 4.0	-						
APPROVALS/CLASS	UL/cUL LISTED. CLASS P, 1 OUTDOOR						

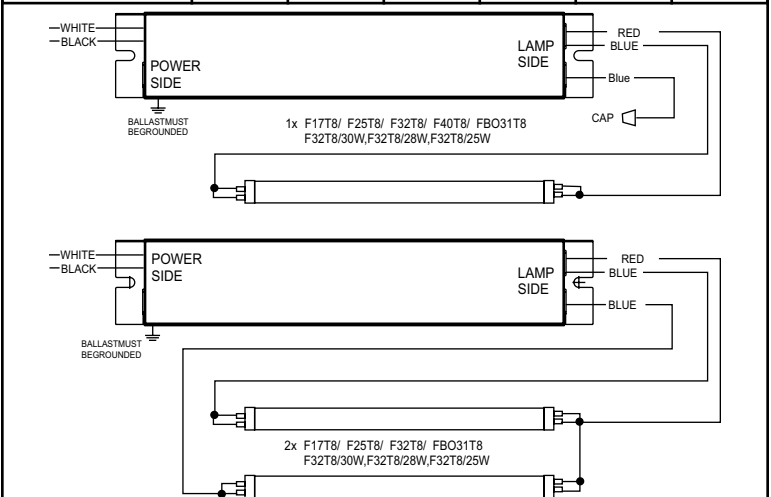
MECHANICAL DATA



Where: L = Length, W = Width, H = Height

WIRING DIAGRAMS

WIRE	BLACK	WHITE	RED	BLUE	YELLOW	BROWN
LENGTH-INCHES	24±1"	24±1"	46±1"	32±1"	-	-



NOTE: This Ballast Must Be Grounded.

Fulham Co., Inc extends limited warranty only to the original purchaser or to the first user for the period of **5 years** from the date of manufacture as indicated by the date code stamped on each product and when properly installed and under normal conditions of use. For additional warranty guide line, please refer to our complete product catalog or call customer service at 1-323-599-5000. DUE TO A PROGRAM OF CONTINUOUS IMPROVEMENT, FULHAM Co., INC RESERVES THE RIGHT TO MAKE ANY VARIATION IN DESIGN OR CONSTRUCTION TO THE EQUIPMENT DESCRIBED. Data is based upon tests performed by Fulham in a controlled environment and representative of relative performance. Actual performance can vary depending on operating conditions. Address: 12705 S. Van Ness Ave., Hawthorne, CA 90250 Website: www.fulham.com To order this product: Fax: 1-323-754-9060 Email: order@fulham.com