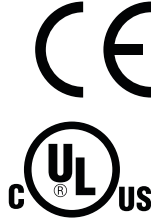


Specification Sheet : LED Lamp - PAR 30, 12W

Model: TLP30D12012/TLP30D23012



Lamp Specifications:

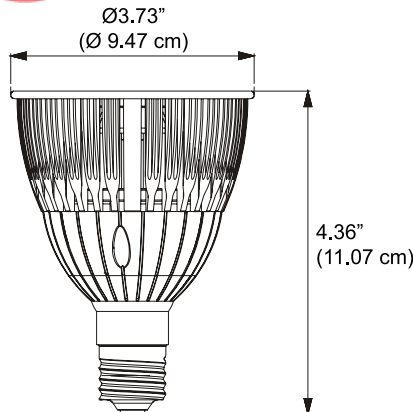
Input Power	12W
Base	E26/E27
Input Voltage	AC120V/AC230V
Input Frequency	50Hz/60Hz
LED Type	CREE
Beam Angle	25°, 40°, 60°
LED Life Rating*	>35,000 Hours
Operation Temp.	-20°C to 40°C
IP Rating	30
Warranty	2 Years

*Based on LED LM-80 Data

Ordering Options:

Product Family	TL
Lamp Type	P30
Dimmable	D
Input Voltage	120 230
Wattage	12
Color Temperature	28 40 60
Beam Angle	25 40 60
Part Number Example	TLP30D120124060

Dimensions:



Lamp Data:

Applications:

- Track Lighting
- Spot Lighting
- Architectural Lighting
- Retail Display Case
- Artwork Showcasing
- Mood Lighting
- Recessed Applications
- Commercial & Residential

Features:

- UL/cUL, CE Approved
- Up to 70% Energy Savings: High Brightness Using Less Power
- Dimmable
- Long Life LEDs
- Easy Installation
- Superior Heat Management
- Minimal UV and Heat Emission onto Lit Surface
- Environmentally Friendly: No Lead, No Mercury
- Durable Solid State Construction: No Filaments To Break

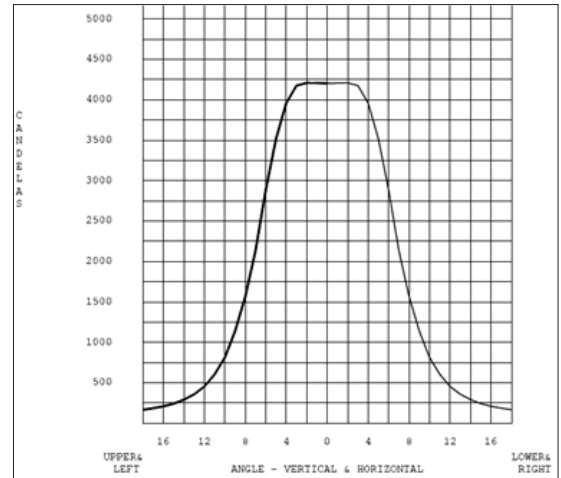
Dimming Specifications:

Dimming Range	100%-10%
Type	Switch (Triac)
Available Work Mode	Trailing Edge (Recommended) Leading Edge
Compatible with Leading Dimmer Brands	

Photometric Specifications:

Color Temperature	CRI	Typical Output
Cool White (6000°K)	75	475 lm
Natural White (4000°K)	75	450 lm
Warm White (2800°K)	80	380 lm

Beam Pattern: 25° Beam, 2800K



Fulham Co., Inc extends limited warranty only to the original purchaser or to the first user for the period of 2 years from the date of manufacture as indicated and operated under normal conditions of use. For complete terms and conditions, please reference the Fulham Product Catalog (www.fulham.com).

Due to a program of continuous improvement, Fulham reserves the right to make modifications or variations in design or construction to the equipment described.