

Specification Sheet :

LED Lamp - MR16(12V), 4W

Model: TLMR1601204



Lamp Data:

Applications:

- Spot Lighting
- Architectural Lighting
- Retail Display Case
- Artwork Showcasing
- Mood Lighting
- Recessed Applications
- Commercial & Residential

Advanced Features:

- CE Approved
- Up to 70% Energy Savings: High Brightness Using Less Power
- Long Life LEDs
- Easy Installation
- Superior Heat Management
- Minimal UV and Heat Emission onto Lit Surface
- Environmentally Friendly: No Lead, No Mercury
- Durable Solid State Construction: No Filaments To Break

Lamp Specification:

Input Power	4W
Diameter	1.95" (4.95 cm)
MOL	2.17" (5.51cm)
Base	GU5.3
Input Voltage	12V AC/DC
Input Frequency	50Hz/60Hz
LED Type	CREE
Beam Angle	30°, 45°
LED Life Rating*	>35,000 Hours
Operation Temp.	-20°C to 40°C
IP Rating	30
Warranty	2 Years

*Based on LED LM-80 Data

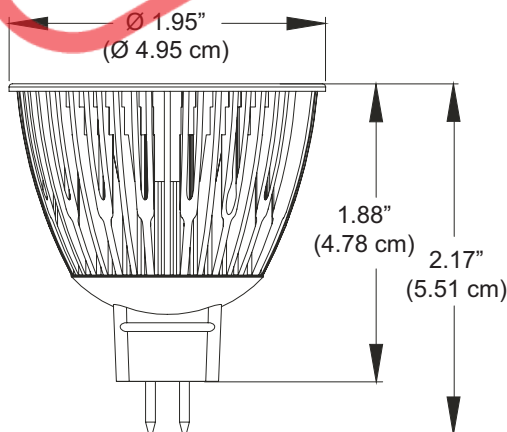
Ordering Options:

Product Family	TL
Lamp Type	M16
Input Voltage	012
Wattage	04
Color Temperature	28 40 60
Beam Angle	30 45
Part Number Example	TLM16012042830

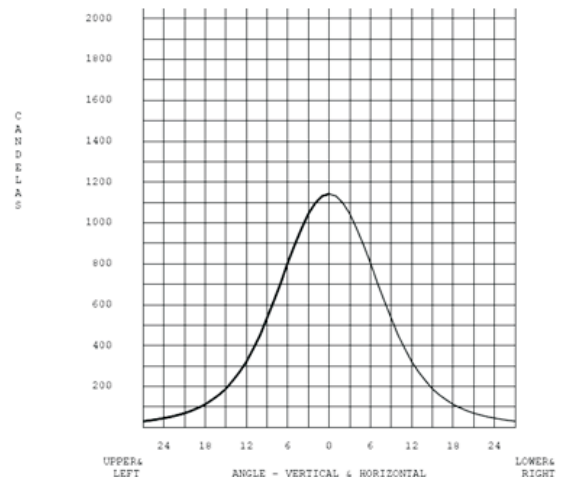
Photometric Specification:

Color Temperature	CRI	Typical Output
Cool White (6000°K)	75	190 lm
Natural White (4000°K)	75	180 lm
Warm White (2800°K)	80	160 lm

Dimensions:



Beam Pattern: 30° Beam, 2800K



Fulham extends a limited warranty only to the original purchaser or to the first user for a period of 5 years from the date of manufacture when properly installed and operated under normal conditions of use. For complete terms and conditions, please reference the Fulham product catalog (www.fulham.com)
Due to a program of continuous improvement, Fulham reserves the right to make modifications or variations in design or construction to the equipment described.