



**SPECIFICATION SHEET :**  
**T4N4UNV0350-100K, T4N4UNV0350-100B,**  
**T4N4UNV0700-100K, T4N4UNV0700-100B,**  
**T4N4UNV1000-100K, T4N4UNV1000-100B**

This Is An Original Product From Fulham Co., Inc

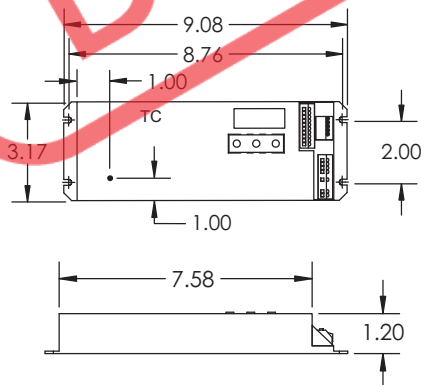
**Description :** 100W LED Power Supply with integrated DMX-RDM and DALI control. Up to 4 Dali or DMX channels available. Wide range input of 120-277V. Four, constant current, independent output channels.

**This Driver Will Operate Following LED Modules:**  
**Any LED module designed to accept constant current input up to the rated driver output (e.g. 350, 700 or 1000mA) and a voltage of <57V.**

**ELECTRICAL DATA**

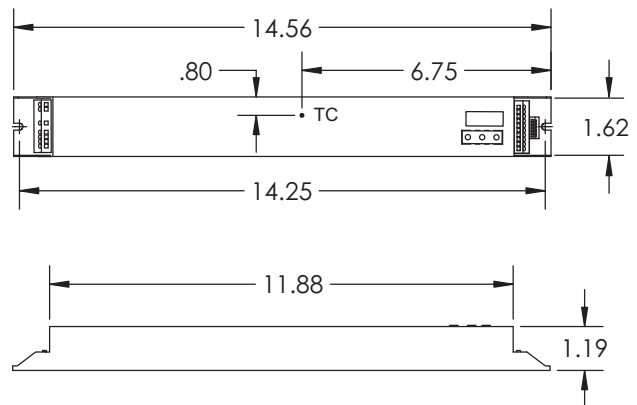
INPUT VOLTAGE	120-277V ± 10%, 50/60Hz
INPUT CURRENT (MAX)	1.0A @ 120V, 0.5A @ 230V, 0.45A @ 277V
POWER FACTOR	>0.99 @120V, >0.98 @ 230V, >0.94 @ 277V
THD	<10% @ Max load)
EFFICIENCY	89% @ Max load
SURGE PROTECTION	3kV(L-N), 4kV (L/N-GRD)
CONSTANT CURRENT, VOLTAGE OR POWER	Constant Current
OUTPUT CURRENT	350, 700, or 1000mA
OUTPUT VOLTAGE	60V (max.)
OUTPUT SHORT CIRCUIT PROTECTION	YES
OUTPUT OPEN CIRCUIT PROTECTION	YES
OUTPUT TO GROUND SHORT PROTECTION	YES
OVER LOAD PROTECTION	YES
THERMAL PROTECTION LIMIT	110°C
DIMMING CONTROLLER TYPE	DALI and DMX512A-RDM
NUMBER OF CONTROL CHANNELS	4
EMI	FCC Class B, EN55015, EN 55022
MAX. CASE HOT SPOT TEMPERATURE	85°C (-100L), 83°C (-100C)
MIN. STARTING TEMPERATURE	-20°C
MAX. POSSIBLE AMBIENT TEMPERATURE	50°C
APPROVALS/CLASS	cURus (UL8750), Class 2 (URus only), Damp Location, CE, VDE/ENEC (120-250V input only), cUL non class2

**MECHANICAL DATA - B**



Where : L = Length, W = Width, H = Height

**MECHANICAL DATA - K**

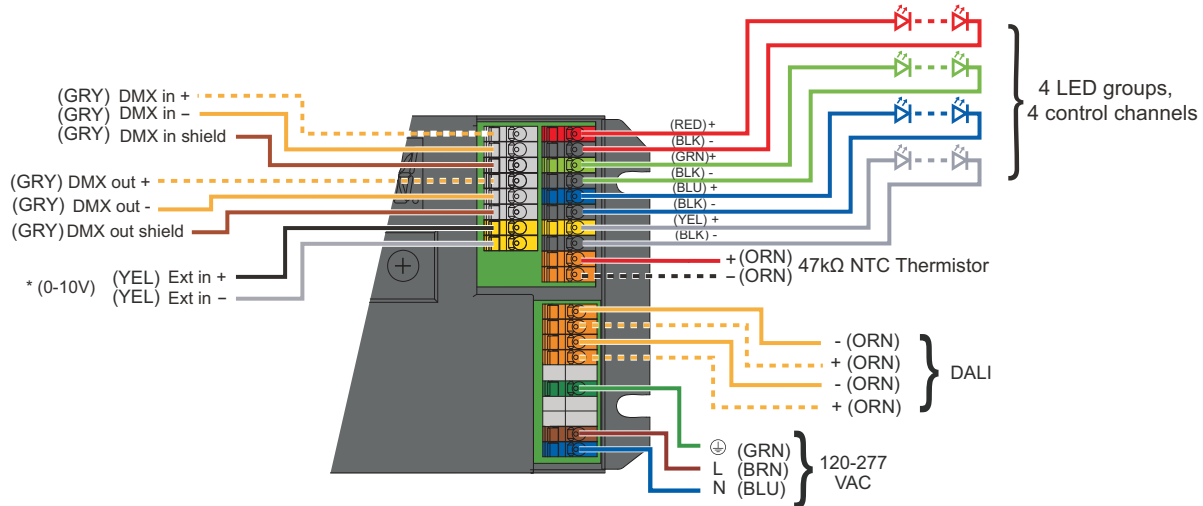


Fulham extends a limited warranty only to the original purchaser or to the first user for a period of 5 years from the date of manufacture when properly installed and operated under normal conditions of use. For complete terms and conditions, please reference the Fulham product catalog ([www.fulham.com](http://www.fulham.com))  
**Due to a program of continuous improvement, Fulham reserves the right to make modifications or variations in design or construction to the equipment described.**

**SPECIFICATION SHEET :**  
**T4N4UNV0350-100K, T4N4UNV0350-100B,**  
**T4N4UNV0700-100K, T4N4UNV0700-100B,**  
**T4N4UNV1000-100K, T4N4UNV1000-100B**

This Is An Original Product From Fulham Co., Inc

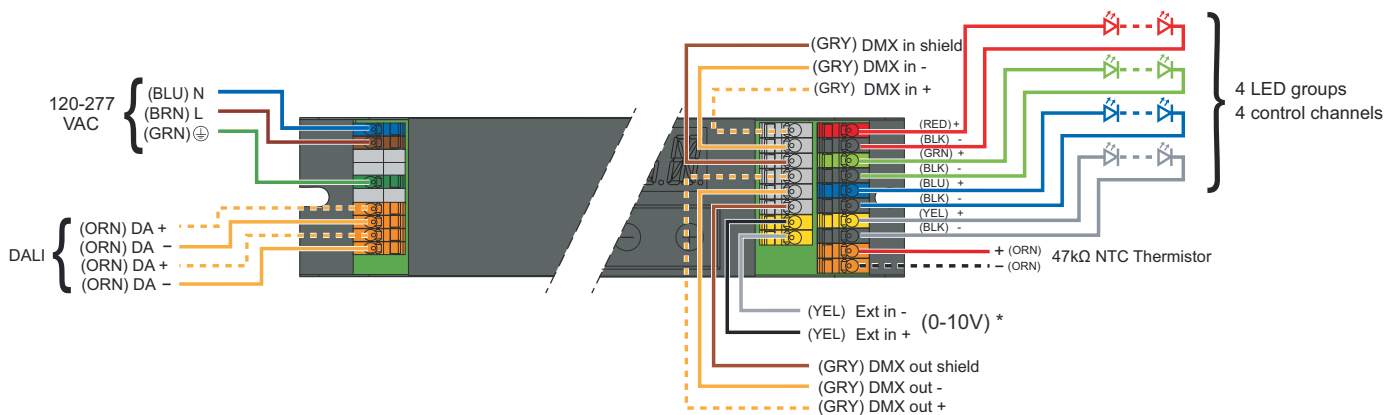
**WIRING DIAGRAM - B**



\* Current source devices only (ESTA E1.3)

AWG 20-16 only

**WIRING DIAGRAM - K**



\* Current source devices only (ESTA E1.3)

AWG 20-16 only