

SPECIFICATION SHEET : **SN3-UNV-4650-IS**

This Is An Original Product From Fulham Co., Inc

Description: Sinehorse Series, High Frequency Electronic, Drop In Replacement for Magnetic, Parallel Wiring, Indoor and Outdoor Sign Applications

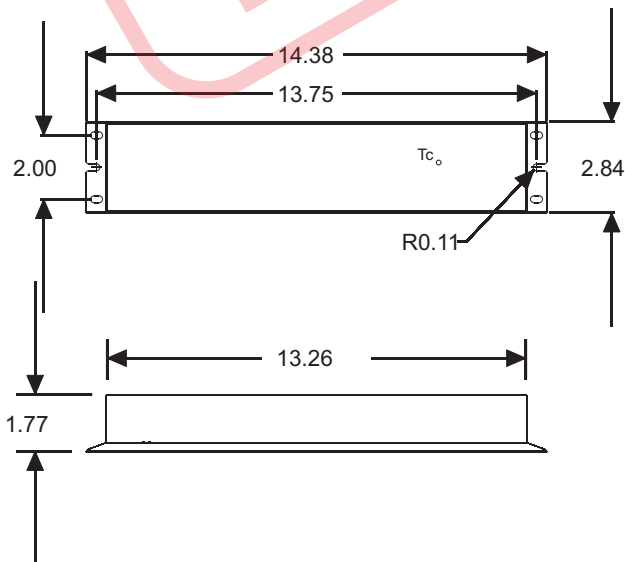
This Ballast Will Operate Following Lamps.

For 4, 5 or 6 x T12HO lamps (F36, F48, F60, F72, F84, F96, F120) TOTAL 12ft - 50ft
 No single lamp may be longer than 10ft
 No single lamp may be shorter than 3ft
 For 4, 5 or 6 x T8HO lamps (F36, F48, F60, F72, F84, F96) TOTAL 12ft - 42ft
 No single lamp may be longer than 8ft
 No single lamp may be shorter than 3ft

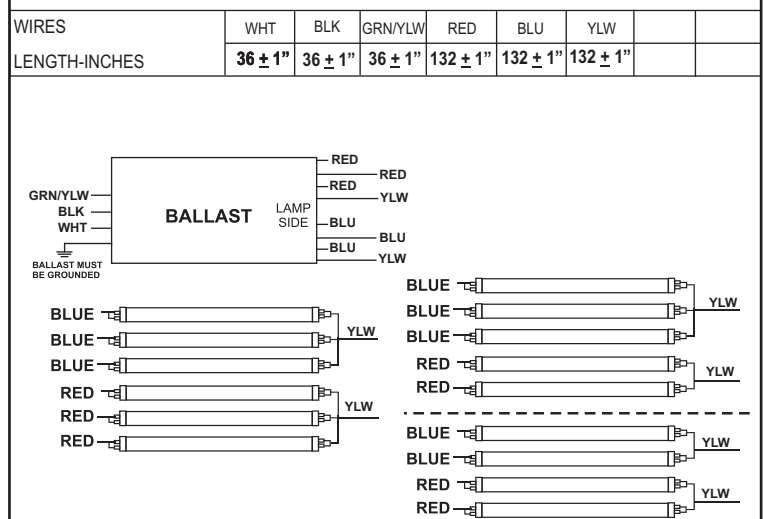
ELECTRICAL DATA (120V APPLICATION)

INPUT VOLT: 120V ± 10%, 50/60Hz									
LAMP WATTS/TYPE	F36T8HO	F36T8HO	F36T8HO	F36T12HO	F36T12HO	F36T12HO	F48T8HO	F48T8HO	F48T8HO
LAMPS OPERATED	4	5	6	4	5	6	4	5	6
INPUT WATTS	133	152	170	123	139	155	174	202	229
LINE CURRENT:	1.10	1.27	1.41	1.02	1.15	1.29	1.45	1.69	1.91
POWER FACTOR	0.99	0.99	0.99	0.99	0.99	0.99	0.99	0.99	0.99
BALLAST FACTOR	1.11	1.01	0.94	0.43	0.40	0.37	1.10	1.00	0.93
EFFICACY FACTOR	0.83	0.66	0.55	0.35	0.29	0.24	0.63	0.50	0.41
THD	7.5%	6.4%	5.7%	9.1%	7.1%	6.4%	6.7%	5.0%	4.4%
EMI/RFI COMPLIANCE	FCC PART 18-A (Non-Consumer)								
SOUND RATING	"A"								
BALLAST TYPE	INSTANT START								
VOLTAGE TRANSIENTS	ANSI 61.42								
INPUT/PROTECTION	FUSE								
MIN. OPERATING TEMP	-30°C (-22°F)								
MAX. CASE TEMP	70°C (158°C)								
APPROVALS/CLASS	UL /cUL LISTED, CLASS "P", Type 2 OUTDOOR								

MECHANICAL DATA



WIRING DIAGRAM



NOTE : This Ballast Case Must Be Grounded

Fulham extends a limited warranty only to the original purchaser or to the first user for a period of 5 years from the date of manufacture when properly installed and operated under normal conditions of use. For complete terms and conditions, please reference the Fulham product catalog (www.fulham.com)
 Due to a program of continuous improvement, Fulham reserves the right to make modifications or variations in design or construction to the equipment described.

SPECIFICATION SHEET : SN3-UNV-4650-IS

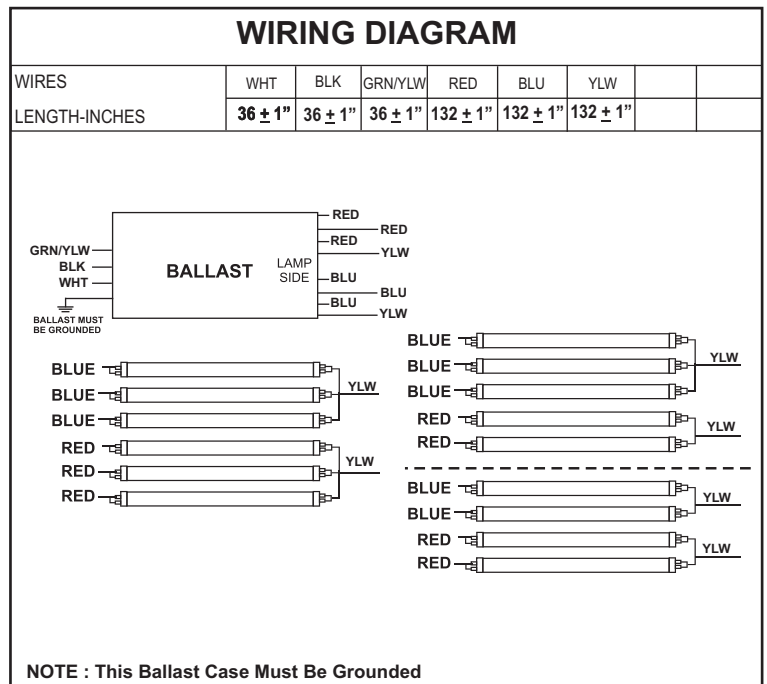
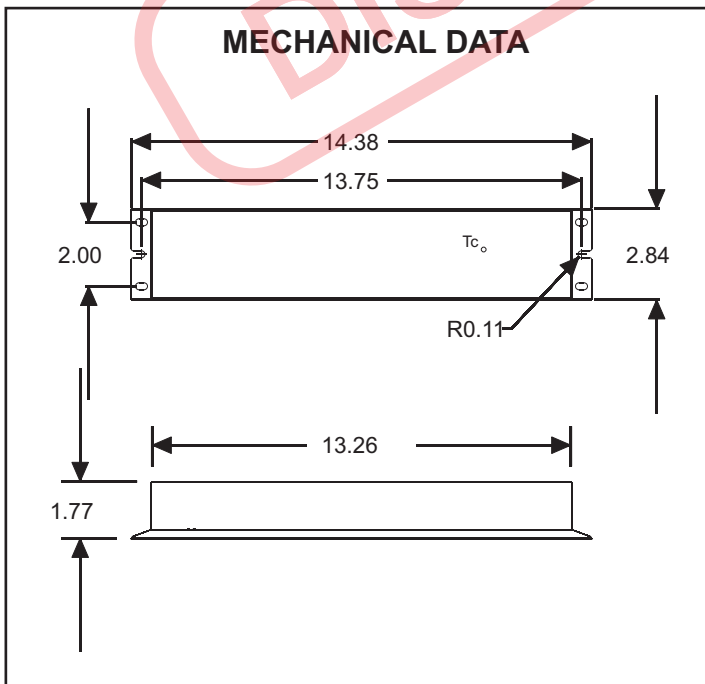
This Is An Original Product From Fulham Co., Inc

Description: Sinehorse Series, High Frequency Electronic, Drop In Replacement for Magnetic, Parallel Wiring, Indoor and Outdoor Sign Applications

This Ballast Will Operate Following Lamps.
 For 4, 5 or 6 x T12HO lamps (F36, F48, F60, F72, F84, F96, F120) TOTAL 12ft - 50ft
 No single lamp may be longer than 10ft
 No single lamp may be shorter than 3ft
 For 4, 5 or 6 x T8HO lamps (F36, F48, F60, F72, F84, F96) TOTAL 12ft - 42ft
 No single lamp may be longer than 8ft
 No single lamp may be shorter than 3ft

ELECTRICAL DATA (120V APPLICATION)

INPUT VOLT: 120V ± 10%, 50/60Hz									
LAMP WATTS/TYPE	F48T12HO	F48T12HO	F48T12HO	F60T8HO	F60T8HO	F60T8HO	F60T12HO	F60T12HO	F60T12HO
LAMPS OPERATED	4	5	6	4	5	6	4	5	6
INPUT WATTS	154	177	198	218	253	285	189	216	243
LINE CURRENT:	1.28	1.47	1.65	1.82	2.12	2.39	1.58	1.81	1.99
POWER FACTOR	0.99	0.99	0.99	0.99	0.99	0.99	0.99	0.99	0.99
BALLAST FACTOR	0.43	0.40	0.37	1.09	0.99	0.93	0.43	0.39	0.37
EFFICACY FACTOR	0.28	0.22	0.19	0.50	0.39	0.33	0.23	0.18	0.15
THD	6.3%	5.6%	5.0%	5.0%	4.3%	3.8%	5.4%	4.8%	4.2%
EMI/RFI COMPLIANCE	FCC PART 18-A (Non-Consumer)								
SOUND RATING	"A"								
BALLAST TYPE	INSTANT START								
VOLTAGE TRANSIENTS	ANSI 61.42								
INPUT/PROTECTION	FUSE								
MIN. OPERATING TEMP	-30°C (-22°F)								
MAX. CASE TEMP	70°C (158°C)								
APPROVALS/CLASS	UL /cUL LISTED, CLASS "P", Type 2 OUTDOOR								



Fulham extends a limited warranty only to the original purchaser or to the first user for a period of 5 years from the date of manufacture when properly installed and operated under normal conditions of use. For complete terms and conditions, please reference the Fulham product catalog (www.fulham.com)
 Due to a program of continuous improvement, Fulham reserves the right to make modifications or variations in design or construction to the equipment described.

SPECIFICATION SHEET : **SN3-UNV-4650-IS**

This Is An Original Product From Fulham Co., Inc

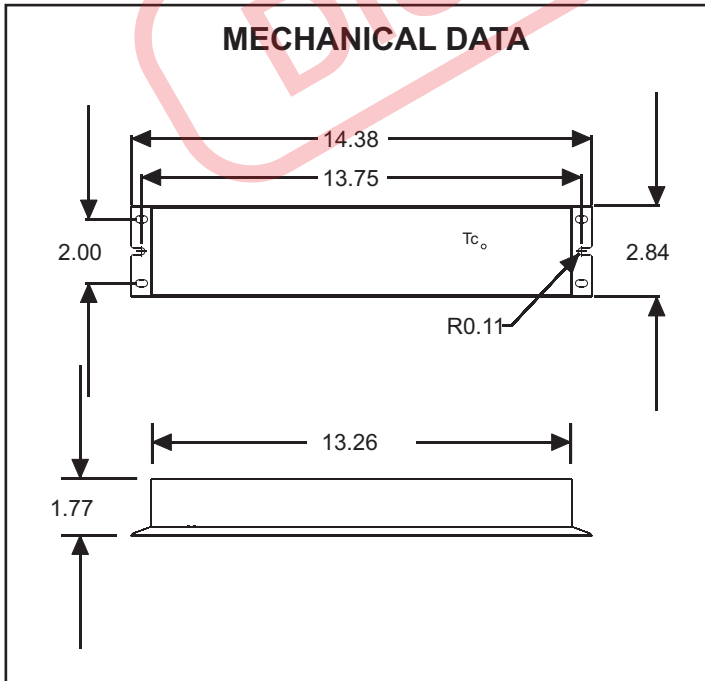
Description: Sinehorse Series, High Frequency Electronic, Drop In Replacement for Magnetic, Parallel Wiring, Indoor and Outdoor Sign Applications

This Ballast Will Operate Following Lamps.
 For 4, 5 or 6 x T12HO lamps (F36, F48, F60, F72, F84, F96, F120) TOTAL 12ft - 50ft
 No single lamp may be longer than 10ft
 No single lamp may be shorter than 3ft
 For 4, 5 or 6 x T8HO lamps (F36, F48, F60, F72, F84, F96) TOTAL 12ft - 42ft
 No single lamp may be longer than 8ft
 No single lamp may be shorter than 3ft

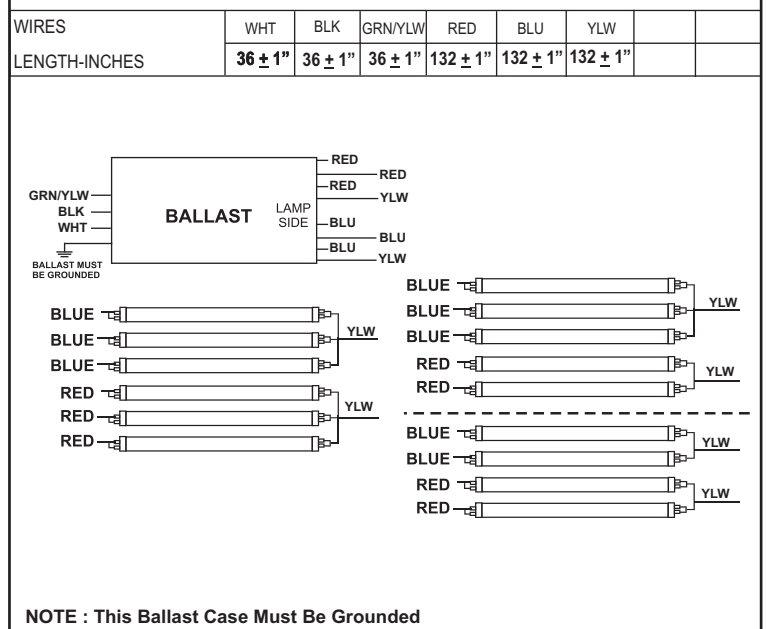
ELECTRICAL DATA (120V APPLICATION)

INPUT VOLT: 120V ± 10%, 50/60Hz									
LAMP WATTS/TYPE	F72T8HO	F72T8HO	F72T8HO	F72T12HO	F72T12HO	F72T12HO	F84T12HO	F84T12HO	F84T12HO
LAMPS OPERATED	4	5	6	4	5	6	4	5	6
INPUT WATTS	249	292	331	220	256	289	253	292	329
LINE CURRENT:	2.08	2.43	2.77	1.81	2.14	2.43	2.09	2.44	2.76
POWER FACTOR	0.99	0.99	0.99	0.99	0.99	0.99	0.99	0.99	0.99
BALLAST FACTOR	1.08	0.98	0.91	0.43	0.39	0.36	0.42	0.38	0.36
EFFICACY FACTOR	0.43	0.34	0.28	0.20	0.15	0.13	0.16	0.13	0.11
THD	3.9%	3.4%	3.2%	4.8%	3.9%	3.6%	4.3%	3.6%	3.3%
EMI/RFI COMPLIANCE	FCC PART 18-A (Non-Consumer)								
SOUND RATING	"A"								
BALLAST TYPE	INSTANT START								
VOLTAGE TRANSIENTS	ANSI 61.42								
INPUT/PROTECTION	FUSE								
MIN. OPERATING TEMP	-30°C (-22°F)								
MAX. CASE TEMP	70°C (158°C)								
APPROVALS/CLASS	UL /cUL LISTED, CLASS "P", Type 2 OUTDOOR								

MECHANICAL DATA



WIRING DIAGRAM



Fulham extends a limited warranty only to the original purchaser or to the first user for a period of 5 years from the date of manufacture when properly installed and operated under normal conditions of use. For complete terms and conditions, please reference the Fulham product catalog (www.fulham.com)
 Due to a program of continuous improvement, Fulham reserves the right to make modifications or variations in design or construction to the equipment described.

SPECIFICATION SHEET : **SN3-UNV-4650-IS**

This Is An Original Product From Fulham Co., Inc

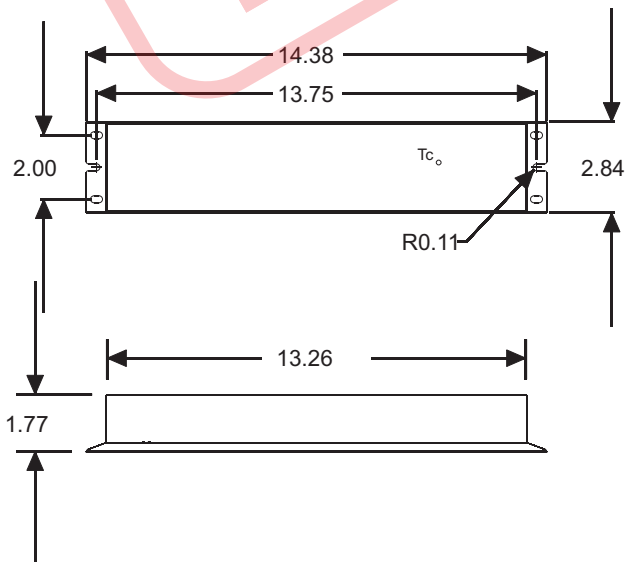
Description: Sinehorse Series, High Frequency Electronic, Drop In Replacement for Magnetic, Parallel Wiring, Indoor and Outdoor Sign Applications

This Ballast Will Operate Following Lamps.
 For 4, 5 or 6 x T12HO lamps (F36, F48, F60, F72, F84, F96, F120) TOTAL 12ft - 50ft
 No single lamp may be longer than 10ft
 No single lamp may be shorter than 3ft
 For 4, 5 or 6 x T8HO lamps (F36, F48, F60, F72, F84, F96) TOTAL 12ft - 42ft
 No single lamp may be longer than 8ft
 No single lamp may be shorter than 3ft

ELECTRICAL DATA (120V APPLICATION)

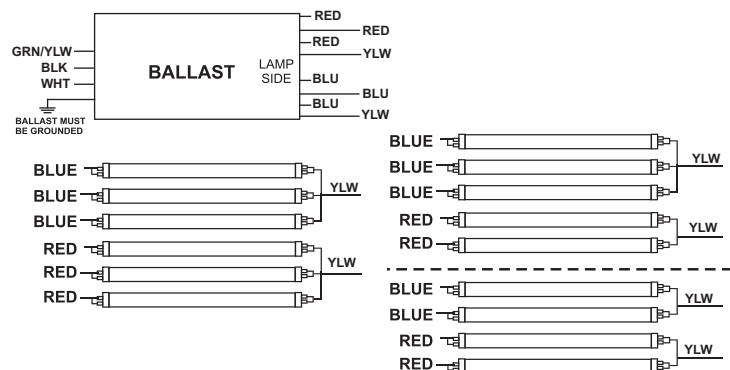
INPUT VOLT: 120V ± 10%, 50/60Hz						
LAMP WATTS/TYPE	F96T12HO	F96T12HO	F96T12HO	F96T8HO	F96T8HO	F120T12HO
LAMPS OPERATED	4	5	6	4	5	4
INPUT WATTS	283	327	357	341	394	350
LINE CURRENT:	2.36	2.75	2.97	2.84	3.24	2.93
POWER FACTOR	0.99	0.99	0.99	0.99	0.99	0.99
BALLAST FACTOR	0.42	0.38	0.35	1.04	0.95	0.41
EFFICACY FACTOR	0.15	0.12	0.10	0.31	0.24	0.12
THD	4.1%	3.6%	3.3%	3.2%	2.7%	3.2%
EMI/RFI COMPLIANCE	FCC PART 18-A (Non-Consumer)					
SOUND RATING	"A"					
BALLAST TYPE	INSTANT START					
VOLTAGE TRANSIENTS	ANSI 61.42					
INPUT/PROTECTION	FUSE					
MIN. OPERATING TEMP	-30°C (-22°F)					
MAX. CASE TEMP	70°C (158°C)					
APPROVALS/CLASS	UL /cUL LISTED, CLASS "P", Type 2 OUTDOOR					

MECHANICAL DATA



WIRING DIAGRAM

WIRES	WHT	BLK	GRN/YLW	RED	BLU	YLW		
LENGTH-INCHES	36 ± 1"	36 ± 1"	36 ± 1"	132 ± 1"	132 ± 1"	132 ± 1"		



NOTE : This Ballast Case Must Be Grounded

Fulham extends a limited warranty only to the original purchaser or to the first user for a period of 5 years from the date of manufacture when properly installed and operated under normal conditions of use. For complete terms and conditions, please reference the Fulham product catalog (www.fulham.com)
 Due to a program of continuous improvement, Fulham reserves the right to make modifications or variations in design or construction to the equipment described.

SPECIFICATION SHEET : **SN3-UNV-4650-IS**

This Is An Original Product From Fulham Co., Inc

Description: Sinehorse Series, High Frequency Electronic, Drop In Replacement for Magnetic, Parallel Wiring, Indoor and Outdoor Sign Applications

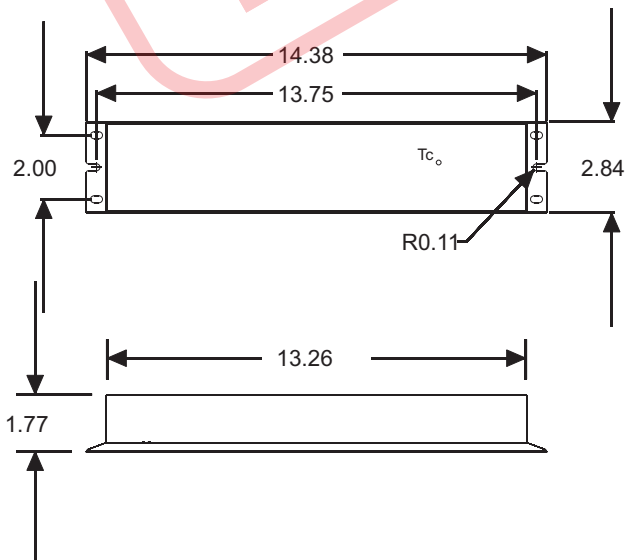
This Ballast Will Operate Following Lamps.

For 4, 5 or 6 x T12HO lamps (F36, F48, F60, F72, F84, F96, F120) TOTAL 12ft - 50ft
 No single lamp may be longer than 10ft
 No single lamp may be shorter than 3ft
 For 4, 5 or 6 x T8HO lamps (F36, F48, F60, F72, F84, F96) TOTAL 12ft - 42ft
 No single lamp may be longer than 8ft
 No single lamp may be shorter than 3ft

ELECTRICAL DATA (277V APPLICATION)

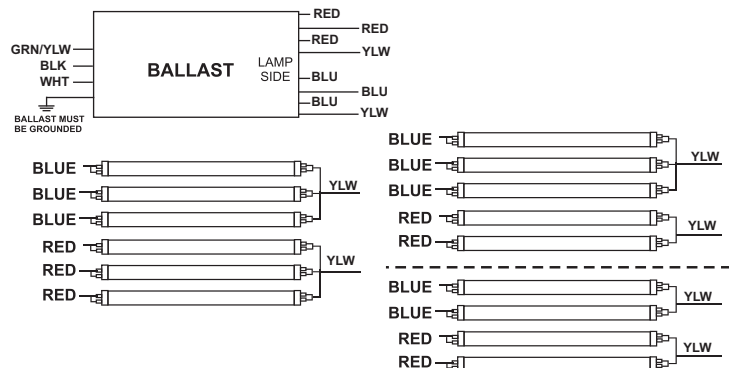
INPUT VOLT: 277V ± 10%, 50/60Hz									
LAMP WATTS/TYPE	F36T8HO	F36T8HO	F36T8HO	F36T12HO	F36T12HO	F36T12HO	F48T8HO	F48T8HO	F48T8HO
LAMPS OPERATED	4	5	6	4	5	6	4	5	6
INPUT WATTS	133	151	169	123	138	154	173	200	227
LINE CURRENT:	0.54	0.60	0.65	0.51	0.56	0.61	0.67	0.76	0.85
POWER FACTOR	0.89	0.91	0.92	0.87	0.90	0.91	0.93	0.94	0.96
BALLAST FACTOR	1.10	1.00	0.94	0.43	0.39	0.37	1.09	0.99	0.93
EFFICACY FACTOR	0.83	0.66	0.56	0.35	0.28	0.24	0.63	0.50	0.41
THD	20.1%	18.0%	16.6%	22.5%	18.6%	17.8%	17.8%	14.7%	13.1%
EMI/RFI COMPLIANCE	FCC PART 18-A (Non-Consumer)								
SOUND RATING	"A"								
BALLAST TYPE	INSTANT START								
VOLTAGE TRANSIENTS	ANSI 61.42								
INPUT/PROTECTION	FUSE								
MIN. OPERATING TEMP	-30°C (-22°F)								
MAX. CASE TEMP	70°C (158°C)								
APPROVALS/CLASS	UL /cUL LISTED, CLASS "P", Type 2 OUTDOOR								

MECHANICAL DATA



WIRING DIAGRAM

WIRES	WHT	BLK	GRN/YLW	RED	BLU	YLW		
LENGTH-INCHES	36 ± 1"	36 ± 1"	36 ± 1"	132 ± 1"	132 ± 1"	132 ± 1"		



NOTE : This Ballast Case Must Be Grounded

Fulham extends a limited warranty only to the original purchaser or to the first user for a period of 5 years from the date of manufacture when properly installed and operated under normal conditions of use. For complete terms and conditions, please reference the Fulham product catalog (www.fulham.com)
 Due to a program of continuous improvement, Fulham reserves the right to make modifications or variations in design or construction to the equipment described.

SPECIFICATION SHEET : SN3-UNV-4650-IS

This Is An Original Product From Fulham Co., Inc

Description: Sinehorse Series, High Frequency Electronic, Drop In Replacement for Magnetic, Parallel Wiring, Indoor and Outdoor Sign Applications

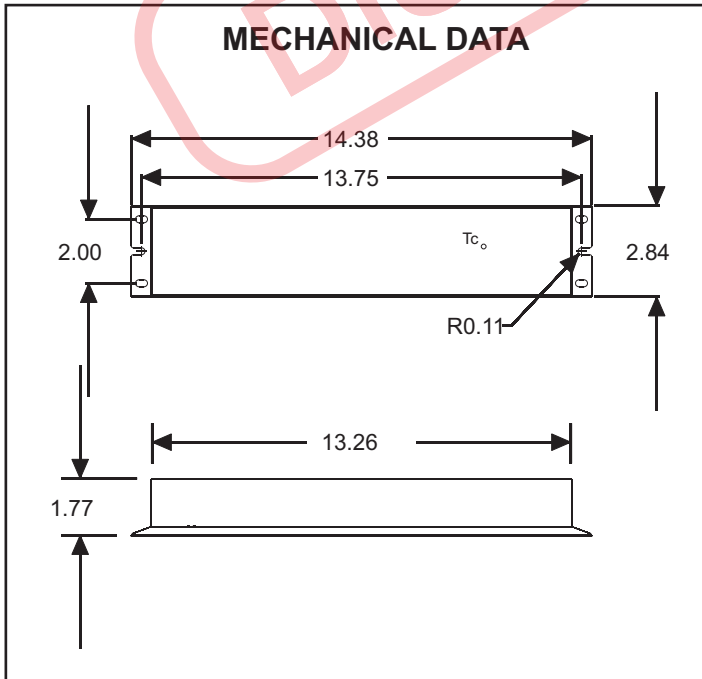
This Ballast Will Operate Following Lamps.

For 4, 5 or 6 x T12HO lamps (F36, F48, F60, F72, F84, F96, F120) TOTAL 12ft - 50ft
 No single lamp may be longer than 10ft
 No single lamp may be shorter than 3ft
 For 4, 5 or 6 x T8HO lamps (F36, F48, F60, F72, F84, F96) TOTAL 12ft - 42ft
 No single lamp may be longer than 8ft
 No single lamp may be shorter than 3ft

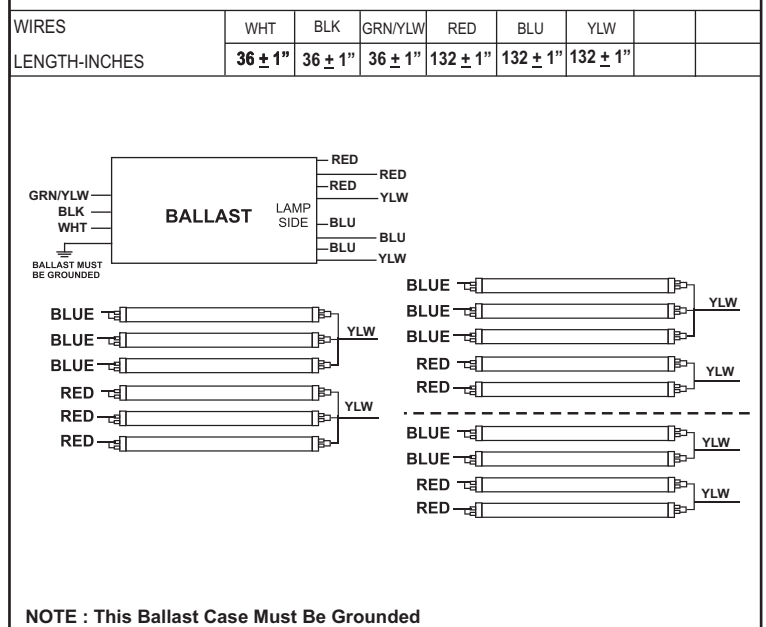
ELECTRICAL DATA (277V APPLICATION)

INPUT VOLT: 277V ± 10%, 50/60Hz									
LAMP WATTS/TYPE	F48T12HO	F48T12HO	F48T12HO	F60T8HO	F60T8HO	F60T8HO	F60T12HO	F60T12HO	F60T12HO
LAMPS OPERATED	4	5	6	4	5	6	4	5	6
INPUT WATTS	154	175	195	216	250	280	188	214	239
LINE CURRENT:	0.61	0.67	0.74	0.82	0.93	1.04	0.72	0.81	0.89
POWER FACTOR	0.91	0.93	0.94	0.95	0.96	0.97	0.94	0.95	0.96
BALLAST FACTOR	0.43	0.39	0.37	1.08	0.98	0.92	0.43	0.39	0.36
EFFICACY FACTOR	0.28	0.22	0.19	0.50	0.39	0.33	0.23	0.18	0.15
THD	18.2%	16.1%	14.5%	14.5%	12.8%	11.3%	15.6%	14.3%	13.0%
EMI/RFI COMPLIANCE	FCC PART 18-A (Non-Consumer)								
SOUND RATING	"A"								
BALLAST TYPE	INSTANT START								
VOLTAGE TRANSIENTS	ANSI 61.42								
INPUT/PROTECTION	FUSE								
MIN. OPERATING TEMP	-30°C (-22°F)								
MAX. CASE TEMP	70°C (158°C)								
APPROVALS/CLASS	UL /cUL LISTED, CLASS "P", Type 2 OUTDOOR								

MECHANICAL DATA



WIRING DIAGRAM



NOTE : This Ballast Case Must Be Grounded

Fulham extends a limited warranty only to the original purchaser or to the first user for a period of 5 years from the date of manufacture when properly installed and operated under normal conditions of use. For complete terms and conditions, please reference the Fulham product catalog (www.fulham.com)
Due to a program of continuous improvement, Fulham reserves the right to make modifications or variations in design or construction to the equipment described.

SPECIFICATION SHEET : **SN3-UNV-4650-IS**

This Is An Original Product From Fulham Co., Inc

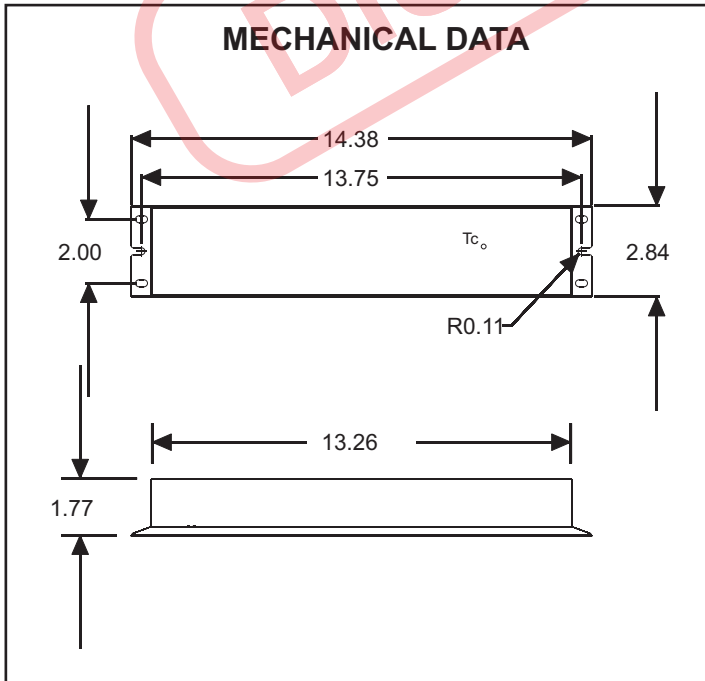
Description: Sinehorse Series, High Frequency Electronic, Drop In Replacement for Magnetic, Parallel Wiring, Indoor and Outdoor Sign Applications

This Ballast Will Operate Following Lamps.
 For 4, 5 or 6 x T12HO lamps (F36, F48, F60, F72, F84, F96, F120) TOTAL 12ft - 50ft
 No single lamp may be longer than 10ft
 No single lamp may be shorter than 3ft
 For 4, 5 or 6 x T8HO lamps (F36, F48, F60, F72, F84, F96) TOTAL 12ft - 42ft
 No single lamp may be longer than 8ft
 No single lamp may be shorter than 3ft

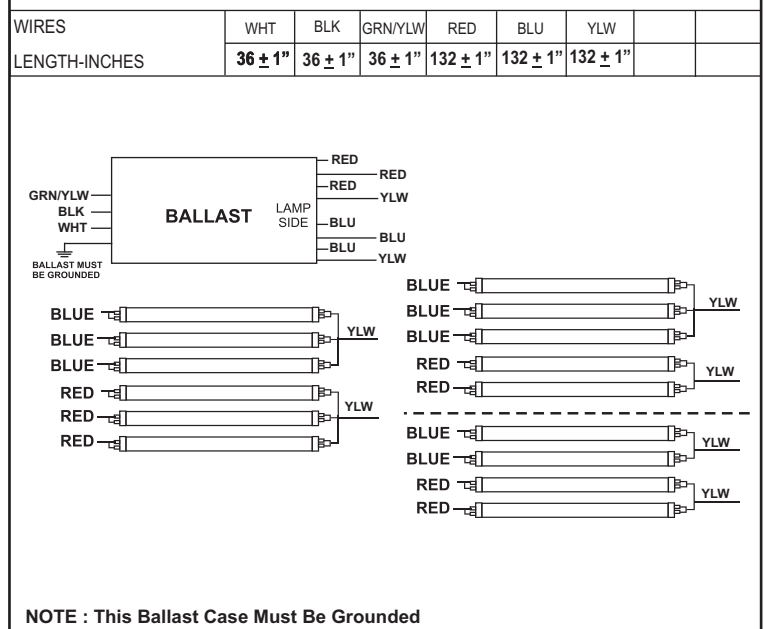
ELECTRICAL DATA (277V APPLICATION)

INPUT VOLT: 277V ± 10%, 50/60Hz									
LAMP WATTS/TYPE	F72T8HO	F72T8HO	F72T8HO	F72T12HO	F72T12HO	F72T12HO	F84T12HO	F84T12HO	F84T12HO
LAMPS OPERATED	4	5	6	4	5	6	4	5	6
INPUT WATTS	248	287	324	217	252	284	249	288	322
LINE CURRENT:	0.93	1.06	1.19	0.82	0.94	1.05	0.93	1.06	1.19
POWER FACTOR	0.96	0.97	0.98	0.95	0.96	0.97	0.96	0.97	0.98
BALLAST FACTOR	1.07	0.98	0.91	0.43	0.39	0.36	0.42	0.38	0.36
EFFICACY FACTOR	0.43	0.34	0.28	0.20	0.15	0.13	0.17	0.13	0.11
THD	12.0%	10.2%	9.5%	14.9%	12.0%	10.9%	13.1%	11.0%	9.8%
EMI/RFI COMPLIANCE	FCC PART 18-A (Non-Consumer)								
SOUND RATING	"A"								
BALLAST TYPE	INSTANT START								
VOLTAGE TRANSIENTS	ANSI 61.42								
INPUT/PROTECTION	FUSE								
MIN. OPERATING TEMP	-30°C (-22°F)								
MAX. CASE TEMP	70°C (158°C)								
APPROVALS/CLASS	UL /cUL LISTED, CLASS "P", Type 2 OUTDOOR								

MECHANICAL DATA



WIRING DIAGRAM



Fulham extends a limited warranty only to the original purchaser or to the first user for a period of 5 years from the date of manufacture when properly installed and operated under normal conditions of use. For complete terms and conditions, please reference the Fulham product catalog (www.fulham.com)
 Due to a program of continuous improvement, Fulham reserves the right to make modifications or variations in design or construction to the equipment described.

SPECIFICATION SHEET : **SN3-UNV-4650-IS**

This Is An Original Product From Fulham Co., Inc

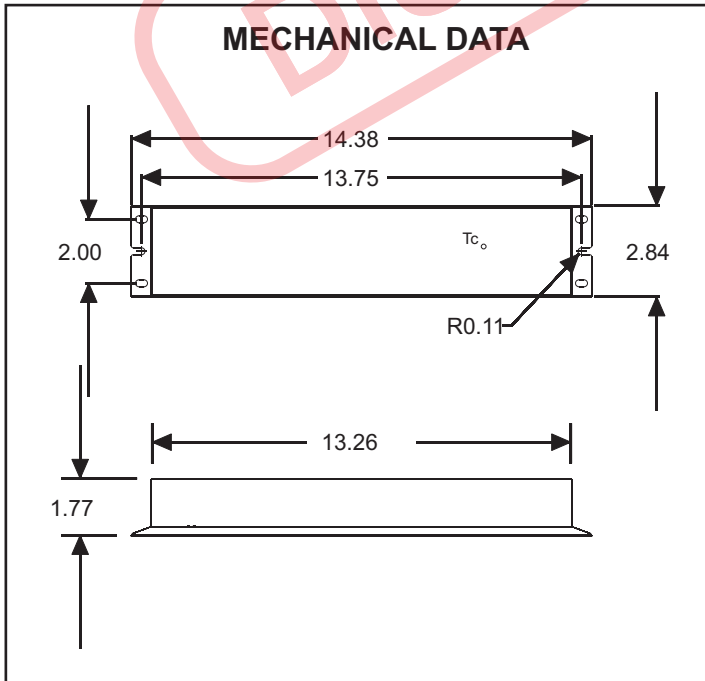
Description: Sinehorse Series, High Frequency Electronic, Drop In Replacement for Magnetic, Parallel Wiring, Indoor and Outdoor Sign Applications

This Ballast Will Operate Following Lamps.
 For 4, 5 or 6 x T12HO lamps (F36, F48, F60, F72, F84, F96, F120) TOTAL 12ft - 50ft
 No single lamp may be longer than 10ft
 No single lamp may be shorter than 3ft
 For 4, 5 or 6 x T8HO lamps (F36, F48, F60, F72, F84, F96) TOTAL 12ft - 42ft
 No single lamp may be longer than 8ft
 No single lamp may be shorter than 3ft

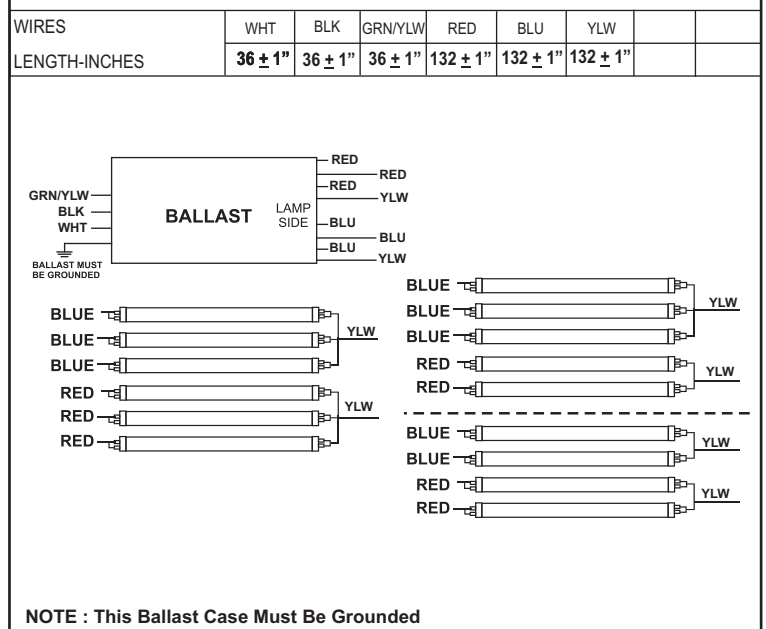
ELECTRICAL DATA (277V APPLICATION)

INPUT VOLT: 277V ± 10%, 50/60Hz							
LAMP WATTS/TYPE	F96T12HO	F96T12HO	F96T12HO	F96T8HO	F96T8HO	F120T12HO	
LAMPS OPERATED	4	5	6	4	5	4	
INPUT WATTS	279	321	349	334	385	342	
LINE CURRENT:	1.04	1.18	1.27	1.23	1.40	1.26	
POWER FACTOR	0.97	0.98	0.98	0.98	0.98	0.98	
BALLAST FACTOR	0.42	0.38	0.35	1.04	0.94	0.41	
EFFICACY FACTOR	0.15	0.12	0.10	0.31	0.25	0.12	
THD	11.8%	10.3%	9.3%	9.7%	8.5%	9.5%	
EMI/RFI COMPLIANCE	FCC PART 18-A (Non-Consumer)						
SOUND RATING	"A"						
BALLAST TYPE	INSTANT START						
VOLTAGE TRANSIENTS	ANSI 61.42						
INPUT/PROTECTION	FUSE						
MIN. OPERATING TEMP	-30°C (-22°F)						
MAX. CASE TEMP	70°C (158°C)						
APPROVALS/CLASS	UL /cUL LISTED, CLASS "P", Type 2 OUTDOOR						

MECHANICAL DATA



WIRING DIAGRAM



Fulham extends a limited warranty only to the original purchaser or to the first user for a period of 5 years from the date of manufacture when properly installed and operated under normal conditions of use. For complete terms and conditions, please reference the Fulham product catalog (www.fulham.com)
 Due to a program of continuous improvement, Fulham reserves the right to make modifications or variations in design or construction to the equipment described.