



Discontinued
Contact Fulham for availability. Not for use in new designs.

SPECIFICATION SHEET : SHS-230-4-750-L

This Is An Original Product From Fulham Co., Inc

Description : Sun Horse electronic ballast developed for use with UV & tanning lamp applications

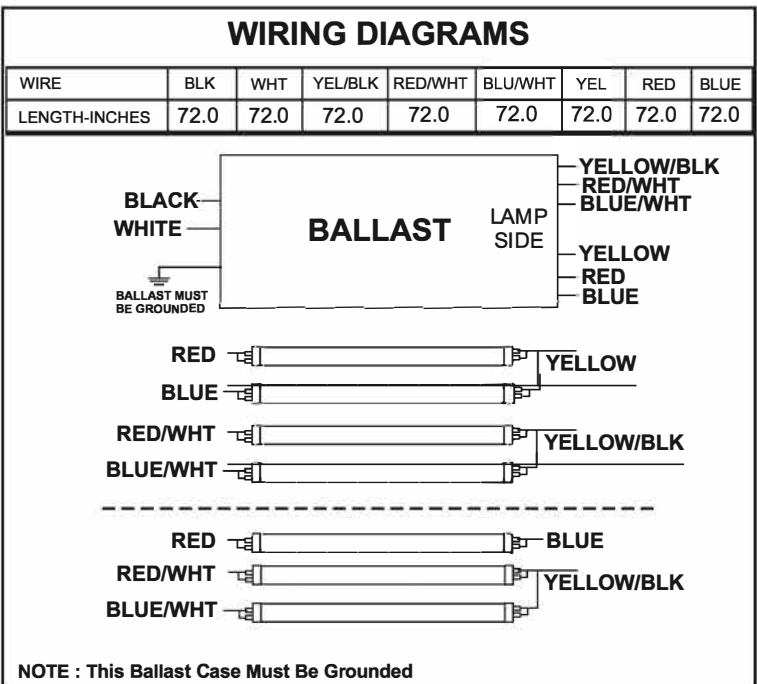
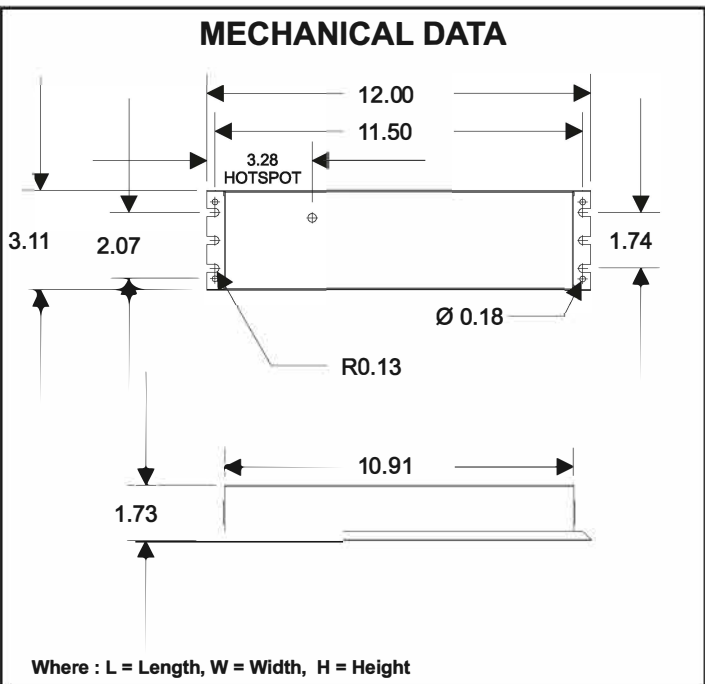
This Ballast Will Operate Following Lamps.



3 OR 4 X F59T12HO, F71T12HO, F72T12HO, F73T12HO

ELECTRICAL DATA (208V APPLICATION)

INPUT VOLT: 208V ± 10%, 50/60Hz								
LAMP WATTS/TYPE	F59T12HO	F71T12HO	F72T12HO	F73T12HO	F59T12HO	F71T12HO	F72T12HO	F73T12HO
LAMP RATED POWER	80W	100W	85W	100W	80W	100W	85W	100W
LAMPS OPERATED	4				3			
INPUT WATTS	346	385	386	389	268	292	296	298
LINE CURRENT:	1.68	1.86	1.86	1.88	1.30	1.41	1.44	1.45
POWER FACTOR	0.99	0.99	0.99	0.99	0.99	0.99	0.99	0.99
BALLAST FACTOR	1.0	0.9	1.1	0.9	1.1	0.9	1.1	0.9
EFFICACY FACTOR	0.3	0.2	0.3	0.2	0.4	0.3	0.4	0.3
OPERATING FREQUENCY	56KHz							
THD	< 10%				< 15%			
CURRENT CRESS FACTOR	< 1.7							
EMI/RFI COMPLIANCE	FCC PART 18-A							
SOUND RATING	" A "							
BALLAST TYPE	INSTANT START							
VOLTAGE TRANSIENTS	ANSI C82.11 - 1993 / C62.41							
INHERENT THERMAL PROT.	YES							
MIN. OPERATING TEMP	0 °C (32 ° F)							
MAX. CASE TEMP	75 °C (167 ° F)							
APPROVALS/CLASS	UL /cUL LISTED, CLASS " P ", 1 OUTDOOR							



Fulham Co., Inc extends limited warranty only to the original purchaser or to the first user for the period of 3 years from the date of manufacture as indicated by the date code stamped on each product and when properly installed and under normal conditions of use. For additional warranty guide line, please refer to our Complete Product Catalog OR call Customer Service at 1-323-599-5000.
DUE TO A PROGRAM OF CONTINUOUS IMPROVEMENT, FULHAM Co., INC RESERVES THE RIGHT TO MAKE ANY VARIATION IN DESIGN OR CONSTRUCTION TO THE EQUIPMENT DESCRIBED.
Address : 12705 South Van Ness Ave., Hawthorne, CA 90250 Tel.: 1-323-599-5000, Fax.: 1-323-754-9060. Website: www.fulham.com 2006-222-1 rev A



SPECIFICATION SHEET : **SHS-230-4-750-L**

This Is An Original Product From Fulham Co., Inc

Description : Sun Horse electronic ballast developed for use with UV & tanning lamp applications

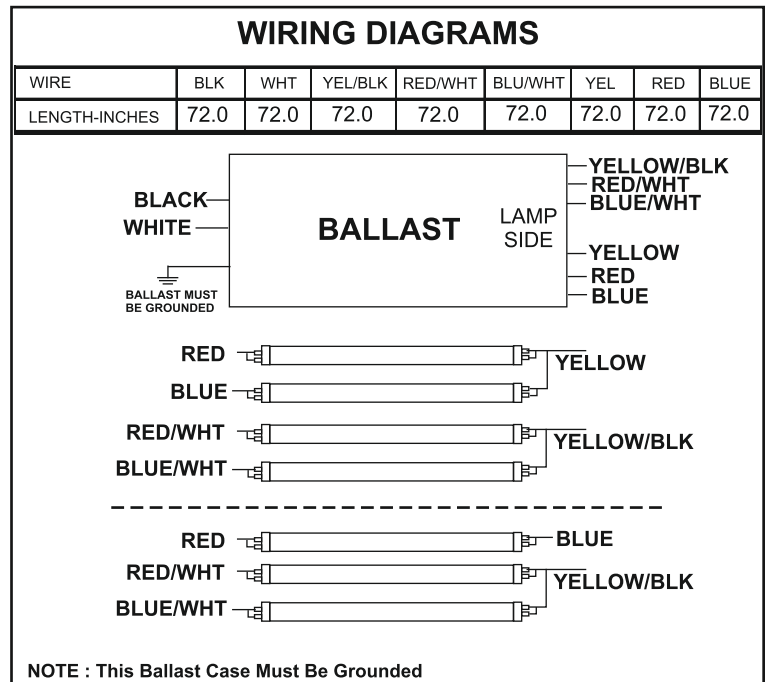
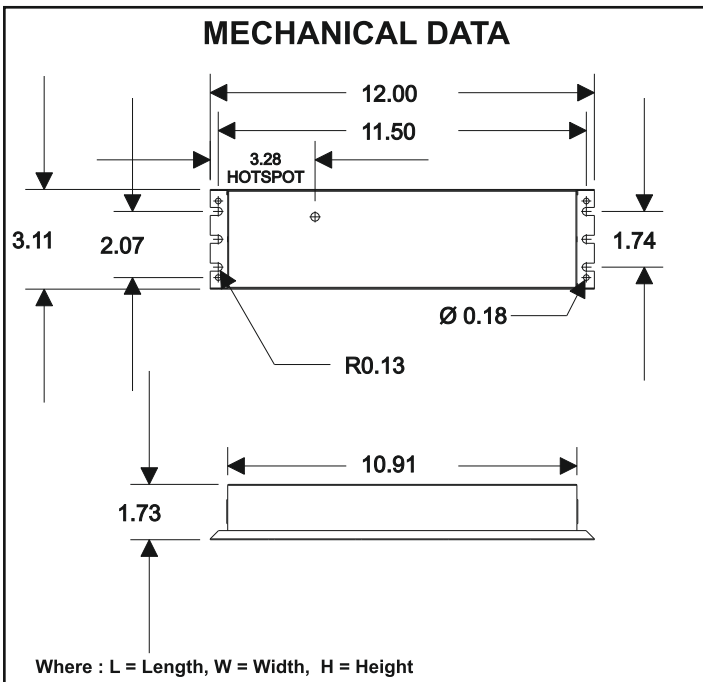
This Ballast Will Operate Following Lamps.



3 OR 4 X F59T12HO, F71T12HO, F72T12HO, F73T12HO

ELECTRICAL DATA (220V APPLICATION)

INPUT VOLT: 220V ± 10%, 50/60Hz								
LAMP WATTS/TYPE	F59T12HO	F71T12HO	F72T12HO	F73T12HO	F59T12HO	F71T12HO	F72T12HO	F73T12HO
LAMP RATED POWER	80W	100W	85W	100W	80W	100W	85W	100W
LAMPS OPERATED	4				3			
INPUT WATTS	346	385	386	389	268	292	296	298
LINE CURRENT:	1.59	1.77	1.77	1.79	1.23	1.34	1.36	1.37
POWER FACTOR	0.99	0.99	0.99	0.99	0.99	0.99	0.99	0.99
BALLAST FACTOR	1.0	0.9	1.1	0.9	1.1	0.9	1.1	0.9
EFFICACY FACTOR	0.3	0.2	0.3	0.2	0.4	0.3	0.4	0.3
OPERATING FREQUENCY	56KHz							
THD	< 10%				< 15%			
CURRENT CRESS FACTOR	< 1.7							
EMI/RFI COMPLIANCE	FCC PART 18-A							
SOUND RATING	" A "							
BALLAST TYPE	INSTANT START							
VOLTAGE TRANSIENTS	ANSI C82.11 - 1993 / C62.41							
INHERENT THERMAL PROT.	YES							
MIN. OPERATING TEMP	0 °C (32 °F)							
MAX. CASE TEMP	75 °C (167 °F)							
APPROVALS/CLASS	UL /cUL LISTED, CLASS " P ", 1 OUTDOOR							



Fulham Co., Inc extends limited warranty only to the original purchaser or to the first user for the period of **3 years** from the date of manufacture as indicated by the date code stamped on each product and when properly installed and under normal conditions of use. For additional warranty guide line, please refer to our Complete Product Catalog OR call Customer Service at 1-323-599-5000.
 DUE TO A PROGRAM OF CONTINUOUS IMPROVEMENT, FULHAM Co., INC RESERVES THE RIGHT TO MAKE ANY VARIATION IN DESIGN OR CONSTRUCTION TO THE EQUIPMENT DESCRIBED.
 Address : 12705 South Van Ness Ave., Hawthorne, CA 90250 Tel.: 1-323-599-5000, Fax.: 1-323-754-9060. Website: www.fulham.com 2006-222-2 rev A



SPECIFICATION SHEET : **SHS-230-4-750-L**

This Is An Original Product From Fulham Co., Inc

Description : Sun Horse electronic ballast developed for use with UV & tanning lamp applications

This Ballast Will Operate Following Lamps.

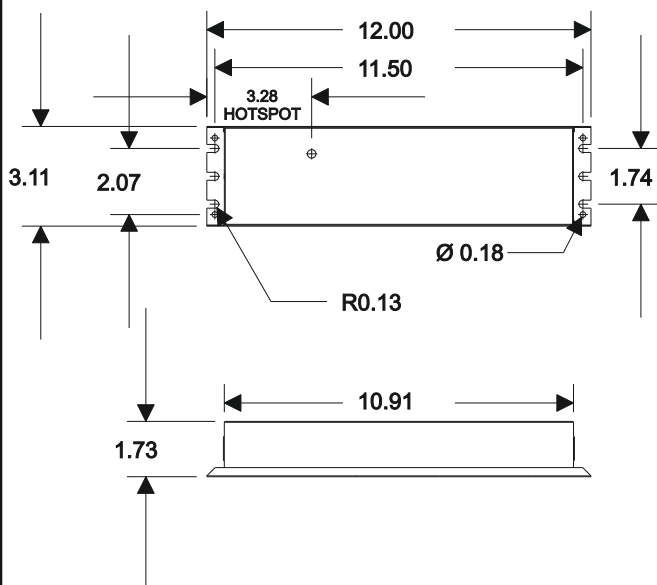


3 OR 4 X F59T12HO, F71T12HO, F72T12HO, F73T12HO

ELECTRICAL DATA (230V APPLICATION)

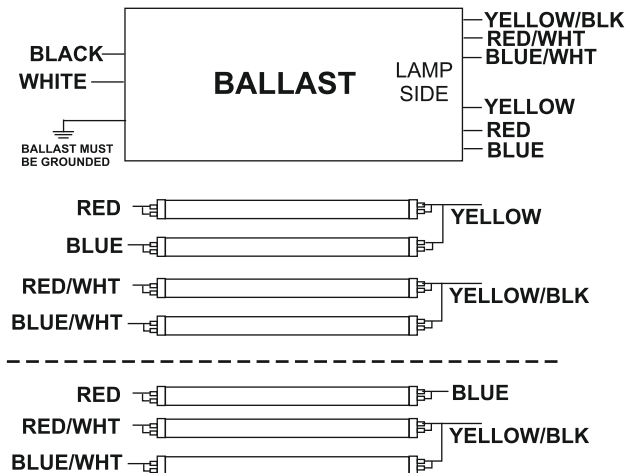
INPUT VOLT: 230V ± 10%, 50/60Hz								
LAMP WATTS/TYPE	F59T12HO	F71T12HO	F72T12HO	F73T12HO	F59T12HO	F71T12HO	F72T12HO	F73T12HO
LAMP RATED POWER	80W	100W	85W	100W	80W	100W	85W	100W
LAMPS OPERATED	4				3			
INPUT WATTS	344	383	385	387	267	289	294	296
LINE CURRENT:	1.51	1.76	1.77	1.78	1.24	1.34	1.36	1.37
POWER FACTOR	0.99	0.99	0.99	0.99	0.98	0.98	0.98	0.98
BALLAST FACTOR	1.0	0.9	1.1	0.9	1.1	0.9	1.1	0.9
EFFICACY FACTOR	0.3	0.2	0.3	0.2	0.4	0.3	0.4	0.3
OPERATING FREQUENCY	56KHz							
THD	< 10%				< 15%			
CURRENT CRESS FACTOR	< 1.7							
EMI/RFI COMPLIANCE	FCC PART 18-A							
SOUND RATING	" A "							
BALLAST TYPE	INSTANT START							
VOLTAGE TRANSIENTS	ANSI C82.11 - 1993 / C62.41							
INHERENT THERMAL PROT.	YES							
MIN. OPERATING TEMP	0 °C (32 °F)							
MAX. CASE TEMP	75 °C (167 °F)							
APPROVALS/CLASS	UL /cUL LISTED, CLASS " P ", 1 OUTDOOR							

MECHANICAL DATA



WIRING DIAGRAMS

WIRE	BLK	WHT	YEL/BLK	RED/WHT	BLU/WHT	YEL	RED	BLUE
LENGTH-INCHES	72.0	72.0	72.0	72.0	72.0	72.0	72.0	72.0



NOTE : This Ballast Case Must Be Grounded

Fulham Co., Inc extends limited warranty only to the original purchaser or to the first user for the period of 3 years from the date of manufacture as indicated by the date code stamped on each product and when properly installed and under normal conditions of use. For additional warranty guide line, please refer to our Complete Product Catalog OR call Customer Service at 1-323-599-5000.

DUE TO A PROGRAM OF CONTINUOUS IMPROVEMENT, FULHAM Co., INC RESERVES THE RIGHT TO MAKE ANY VARIATION IN DESIGN OR CONSTRUCTION TO THE EQUIPMENT DESCRIBED.

Address : 12705 South Van Ness Ave., Hawthorne, CA 90250 Tel.: 1-323-599-5000, Fax.: 1-323-754-9060. Website: www.fulham.com 2006-222-3 rev A



SPECIFICATION SHEET : **SHS-230-4-750-L**

This Is An Original Product From Fulham Co., Inc

Description : Sun Horse electronic ballast developed for use with UV & tanning lamp applications

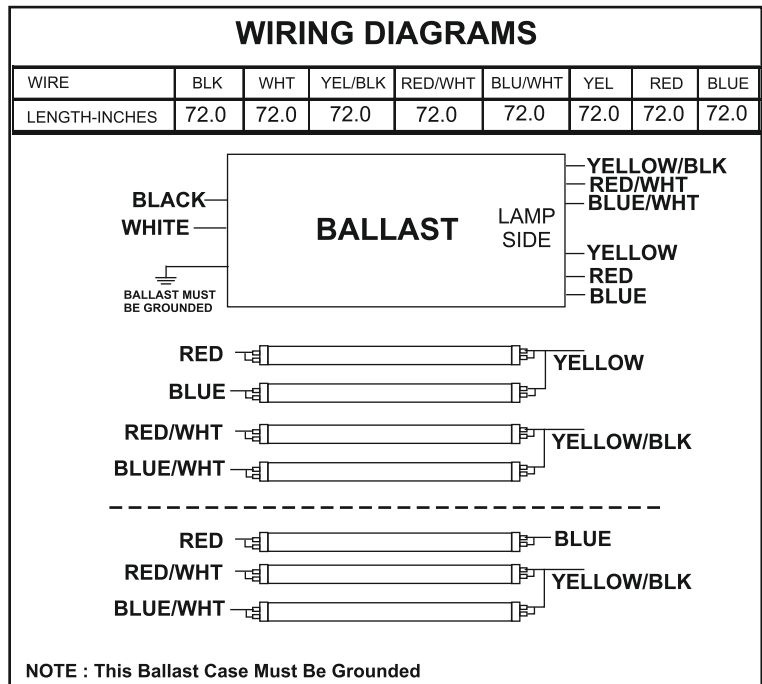
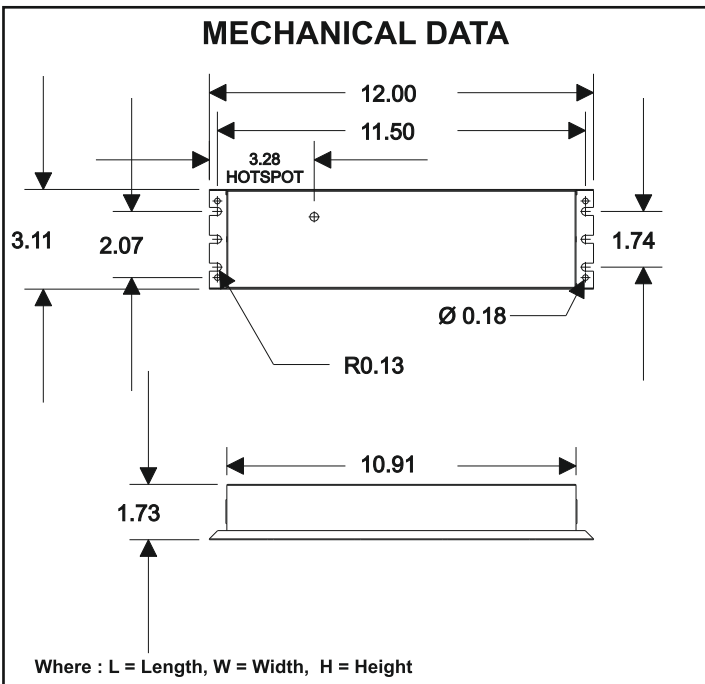
This Ballast Will Operate Following Lamps.



3 OR 4 X F59T12HO, F71T12HO, F72T12HO, F73T12HO

ELECTRICAL DATA (240V APPLICATION)

INPUT VOLT: 240V ± 10%, 50/60Hz								
LAMP WATTS/TYPE	F59T12HO	F71T12HO	F72T12HO	F73T12HO	F59T12HO	F71T12HO	F72T12HO	F73T12HO
LAMP RATED POWER	80W	100W	85W	100W	80W	100W	85W	100W
LAMPS OPERATED	4				3			
INPUT WATTS	344	383	385	387	267	289	294	296
LINE CURRENT:	1.45	1.61	1.62	1.63	1.14	1.23	1.24	1.25
POWER FACTOR	0.99	0.99	0.99	0.99	0.98	0.98	0.98	0.98
BALLAST FACTOR	1.0	0.9	1.1	0.9	1.1	0.9	1.1	0.9
EFFICACY FACTOR	0.3	0.2	0.3	0.2	0.4	0.3	0.4	0.3
OPERATING FREQUENCY	56KHz							
THD	< 10%				< 15%			
CURRENT CRESS FACTOR	< 1.7							
EMI/RFI COMPLIANCE	FCC PART 18-A							
SOUND RATING	" A "							
BALLAST TYPE	INSTANT START							
VOLTAGE TRANSIENTS	ANSI C82.11 - 1993 / C62.41							
INHERENT THERMAL PROT.	YES							
MIN. OPERATING TEMP	0 °C (32 °F)							
MAX. CASE TEMP	75 °C (167 °F)							
APPROVALS/CLASS	UL /cUL LISTED, CLASS " P ", 1 OUTDOOR							



Fulham Co., Inc extends limited warranty only to the original purchaser or to the first user for the period of **3 years** from the date of manufacture as indicated by the date code stamped on each product and when properly installed and under normal conditions of use. For additional warranty guide line, please refer to our Complete Product Catalog OR call Customer Service at 1-323-599-5000.
 DUE TO A PROGRAM OF CONTINUOUS IMPROVEMENT, FULHAM Co., INC RESERVES THE RIGHT TO MAKE ANY VARIATION IN DESIGN OR CONSTRUCTION TO THE EQUIPMENT DESCRIBED.
 Address : 12705 South Van Ness Ave., Hawthorne, CA 90250 Tel.: 1-323-599-5000, Fax.: 1-323-754-9060. Website: www.fulham.com 2006-222-4 rev A