

SPECIFICATION SHEET : RHA-UNV-239-LT5

This Is An Original Product From Fulham Co., Inc

Description : RACEHORSE Series, Universal Operating Voltage, Program Preheat Start Ballast, End Of Life Protection, Auto Restart,

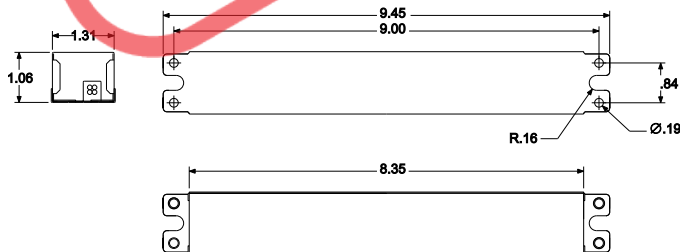
This Ballast Will Operate Following Lamps.



ELECTRICAL DATA (With 120 Volt Application)

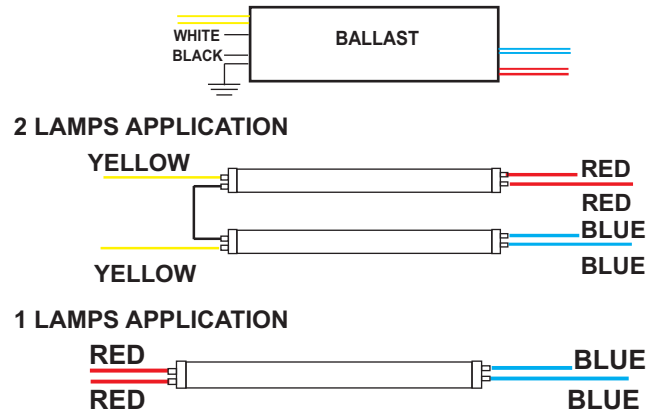
INPUT VOLT: 120V ± 10%, 50/60Hz									
LAMP WATTS/TYPE	F39T5HO	F24T5HO	T5CR40W	T5CR22W	FT36W	FT24W	FT40W	-	-
LAMPS OPERATED	1								
INPUT WATTS	46	30	49	33	38	30	50		
LINE CURRENT:	0.39	0.25	0.41	0.28	0.32	0.25	0.42		
POWER FACTOR	0.98 Type								
BALLAST FACTOR	1.0 +								
EFFICACY FACTOR	2.23	3.66	2.18	3.97	2.42	3.63	2.18		
THD	10.0%	10.0%	10.0%	10.0%	10.0%	10.0%	10.0%		
CURRENT CREST FACTOR	< 1.7								
EMI/RFI COMPLIANCE	FCC PART 18-A								
SOUND RATING	" A "								
BALLAST TYPE	PROGRAMMED START								
VOLTAGE TRANSIENTS	ANSI 62.41								
OUTPUT/PROTECTION	EOL								
COMPLIANCE	RoHS								
MIN. OPERATING TEMP	-18°C (0°F)								
MAX. CASE TEMP	90°C (194 °F) SEE FOOT NOTE WARRANTY								
APPROVALS/CLASS	UL /cUL LISTED, CLASS " P ", 1 OUTDOOR								
REMOTE MOUNTING	18 FT MAX.								

MECHANICAL DATA



WIRING DIAGRAMS

WIRE	BLACK	WHITE	RED	BLUE	YELLOW	BROWN
LENGTH - INCHES	24 ± 1"	24 ± 1"	28 ± 1"	28 ± 1"	44 ± 1"	



NOTE : This Ballast Must Be Grounded

Fulham Co., Inc extends limited warranty only to the original purchaser or to the first user for the period of **3 years @ 90°C & 5 years @ 70°C** from the date of manufacture as indicated by the date code stamped on each product and when properly installed and under normal conditions of use. For additional warranty guide line, please refer to our Complete Product Catalog OR call **Customer Service at 1-323-599-5000.**

DUE TO A PROGRAM OF CONTINUOUS IMPROVEMENT, FULHAM Co., INC RESERVES THE RIGHT TO MAKE ANY VARIATION IN DESIGN OR CONSTRUCTION TO THE EQUIPMENT DESCRIBED.

Address : 12705 South Van Ness Ave., Hawthorne, CA 90250 Tel.: 1-323-599-5000, Fax.: 1-323-754-9060. Website: www.fulham.com 2011-267-1 rev A

SPECIFICATION SHEET : RHA-UNV-239-LT5

This Is An Original Product From Fulham Co., Inc

Description : RACEHORSE Series, Universal Operating Voltage, Program Preheat Start Ballast, End Of Life Protection, Auto Restart,

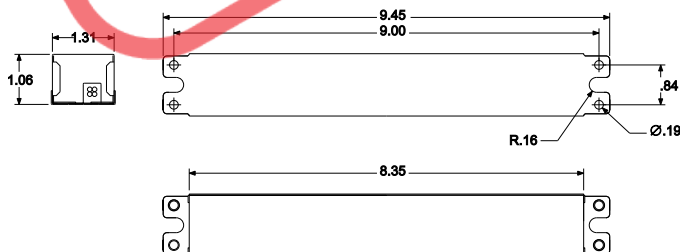
This Ballast Will Operate Following Lamps.



ELECTRICAL DATA (With 120 Volt Application)

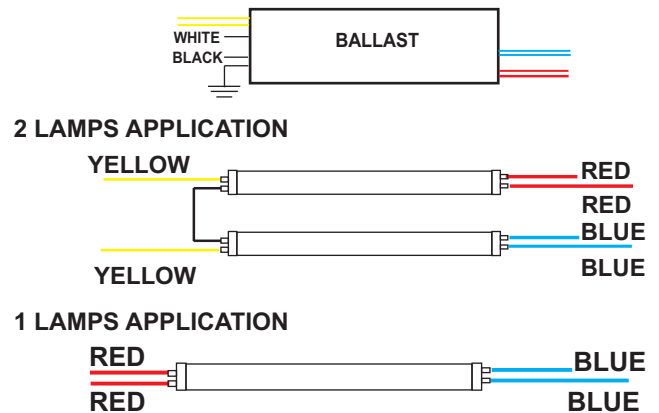
INPUT VOLT: 120V ± 10%, 50/60Hz							
LAMP WATTS/TYPE	F39T5HO	F24T5HO	T5CR40W	T5CR22W	FT36W	FT24W	T5CR22W + T5CR40W
LAMPS OPERATED	2						1 EACH
INPUT WATTS	90	59	93	63	69	54	68
LINE CURRENT:	0.78	0.50	0.78	0.53	0.59	0.45	0.57
POWER FACTOR	0.98 Type						
BALLAST FACTOR	1.0 +						
EFFICACY FACTOR	1.11	1.83	1.09	1.98	1.20	1.83	1.41
THD	10.0%	10.0%	10.0%	10.0%	10.0%	10.0%	10.0%
CURRENT CREST FACTOR	< 1.7						
EMI/RFI COMPLIANCE	FCC PART 18-A						
SOUND RATING	" A "						
BALLAST TYPE	PROGRAMMED START						
VOLTAGE TRANSIENTS	ANSI 62.41						
OUTPUT/PROTECTION	EOL						
COMPLIANCE	RoHS						
MIN. OPERATING TEMP	-18°C (0°F)						
MAX. CASE TEMP	90°C (194°F) SEE FOOT NOTE WARRANTY						
APPROVALS/CLASS	UL/cUL LISTED, CLASS " P ", 1 OUTDOOR						
REMOTE MOUNTING	18 FT MAX.						

MECHANICAL DATA



WIRING DIAGRAMS

WIRE	BLACK	WHITE	RED	BLUE	YELLOW	BROWN
LENGTH - INCHES	24 ± 1"	24 ± 1"	28 ± 1"	28 ± 1"	44 ± 1"	



NOTE : This Ballast Must Be Grounded

Fulham Co., Inc extends limited warranty only to the original purchaser or to the first user for the period of 3 years @ 90°C & 5 years @ 70°C from the date of manufacture as indicated by the date code stamped on each product and when properly installed and under normal conditions of use. For additional warranty guide line, please refer to our Complete Product Catalog OR call Customer Service at 1-323-599-5000.

DUE TO A PROGRAM OF CONTINUOUS IMPROVEMENT, FULHAM Co., INC RESERVES THE RIGHT TO MAKE ANY VARIATION IN DESIGN OR CONSTRUCTION TO THE EQUIPMENT DESCRIBED.

Address : 12705 South Van Ness Ave., Hawthorne, CA 90250 Tel.: 1-323-599-5000, Fax.: 1-323-754-9060. Website: www.fulham.com 2011-267-2 rev A

SPECIFICATION SHEET : RHA-UNV-239-LT5

This Is An Original Product From Fulham Co., Inc

Description : RACEHORSE Series, Universal Operating Voltage, Program Preheat Start Ballast, End Of Life Protection, Auto Restart,

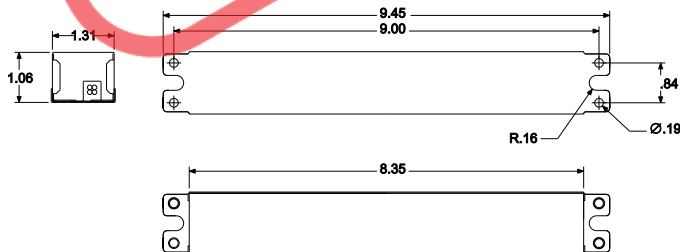
This Ballast Will Operate Following Lamps.



ELECTRICAL DATA (With 277 Volt Application)

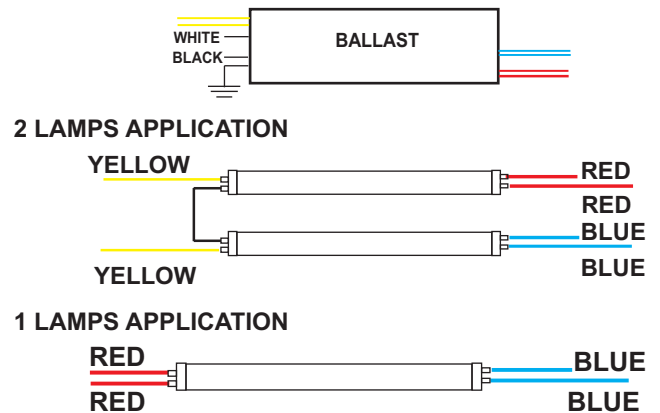
INPUT VOLT: 277V ± 10%, 50/60Hz									
LAMP WATTS/TYPE	F39T5HO	F24T5HO	T5CR40W	T5CR22W	FT36W	FT24W	FT40W	-	-
LAMPS OPERATED	1								
INPUT WATTS	47	30	49	33	38	30	50		
LINE CURRENT:	0.18	0.12	0.41	0.13	0.14	0.12	0.19		
POWER FACTOR	0.98 Type								
BALLAST FACTOR	1.0 +								
EFFICACY FACTOR	2.25	3.66	2.18	3.97	2.42	3.63	2.18		
THD	12.0%	15.0%	10.0%	12.0%	10.0%	15.0%	12.0%		
CURRENT CREST FACTOR	< 1.7								
EMI/RFI COMPLIANCE	FCC PART 18-A								
SOUND RATING	" A "								
BALLAST TYPE	PROGRAMMED START								
VOLTAGE TRANSIENTS	ANSI 62.41								
OUTPUT/PROTECTION	EOL								
COMPLIANCE	RoHS								
MIN. OPERATING TEMP	-18 °C (0 °F)								
MAX. CASE TEMP	90 °C (194 °F) SEE FOOT NOTE WARRANTY								
APPROVALS/CLASS	UL /cUL LISTED, CLASS " P ", 1 OUTDOOR								
REMOTE MOUNTING	18 FT MAX.								

MECHANICAL DATA



WIRING DIAGRAMS

WIRE	BLACK	WHITE	RED	BLUE	YELLOW	BROWN
LENGTH - INCHES	24 ± 1"	24 ± 1"	28 ± 1"	28 ± 1"	44 ± 1"	



NOTE : This Ballast Must Be Grounded

Fulham Co., Inc extends limited warranty only to the original purchaser or to the first user for the period of **3 years @ 90°C & 5 years @ 70°C** from the date of manufacture as indicated by the date code stamped on each product and when properly installed and under normal conditions of use. For additional warranty guide line, please refer to our Complete Product Catalog OR call Customer Service at 1-323-599-5000.

DUE TO A PROGRAM OF CONTINUOUS IMPROVEMENT, FULHAM Co., INC RESERVES THE RIGHT TO MAKE ANY VARIATION IN DESIGN OR CONSTRUCTION TO THE EQUIPMENT DESCRIBED.

Address : 12705 South Van Ness Ave., Hawthorne, CA 90250 Tel.: 1-323-599-5000, Fax.: 1-323-754-9060. Website: www.fulham.com 2011-267-3 rev A

SPECIFICATION SHEET : RHA-UNV-239-LT5

This Is An Original Product From Fulham Co., Inc

Description : RACEHORSE Series, Universal Operating Voltage, Program Preheat Start Ballast, End Of Life Protection, Auto Restart,

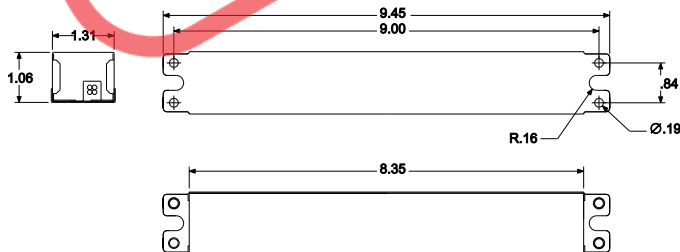
This Ballast Will Operate Following Lamps.



ELECTRICAL DATA (With 277 Volt Application)

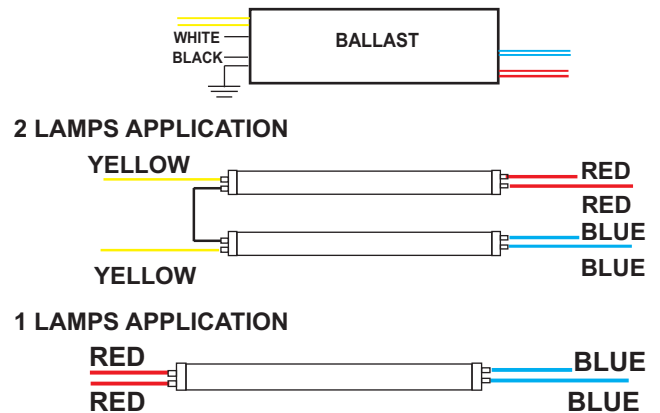
INPUT VOLT: 277V ± 10%, 50/60Hz							
LAMP WATTS/TYPE	F39T5HO	F24T5HO	T5CR40W	T5CR22W	FT36W	FT24W	T5CR22W + T5CR40W
LAMPS OPERATED	2						1 EACH
INPUT WATTS	89	59	92	63	71	55	68
LINE CURRENT:	0.34	0.22	0.34	0.23	0.26	0.22	0.25
POWER FACTOR	0.98 Type						
BALLAST FACTOR	1.0 +						
EFFICACY FACTOR	1.12	1.83	1.09	1.98	1.22	1.80	1.41
THD	10.0%	10.0%	10.0%	10.0%	10.0%	10.0%	10.0%
CURRENT CREST FACTOR	< 1.7						
EMI/RFI COMPLIANCE	FCC PART 18-A						
SOUND RATING	" A "						
BALLAST TYPE	PROGRAMMED START						
VOLTAGE TRANSIENTS	ANSI 62.41						
OUTPUT/PROTECTION	EOL						
COMPLIANCE	RoHS						
MIN. OPERATING TEMP	-18°C (0°F)						
MAX. CASE TEMP	90°C (194°F) SEE FOOT NOTE WARRANTY						
APPROVALS/CLASS	UL/cUL LISTED, CLASS " P ", 1 OUTDOOR						
REMOTE MOUNTING	18 FT MAX.						

MECHANICAL DATA



WIRING DIAGRAMS

WIRE	BLACK	WHITE	RED	BLUE	YELLOW	BROWN
LENGTH - INCHES	24 ± 1"	24 ± 1"	28 ± 1"	28 ± 1"	44 ± 1"	



NOTE : This Ballast Must Be Grounded

Fulham Co., Inc extends limited warranty only to the original purchaser or to the first user for the period of **3 years @ 90°C & 5 years @ 70°C** from the date of manufacture as indicated by the date code stamped on each product and when properly installed and under normal conditions of use. For additional warranty guide line, please refer to our Complete Product Catalog OR call Customer Service at 1-323-599-5000.

DUE TO A PROGRAM OF CONTINUOUS IMPROVEMENT, FULHAM Co., INC RESERVES THE RIGHT TO MAKE ANY VARIATION IN DESIGN OR CONSTRUCTION TO THE EQUIPMENT DESCRIBED.

Address : 12705 South Van Ness Ave., Hawthorne, CA 90250 Tel.: 1-323-599-5000, Fax.: 1-323-754-9060. Website: www.fulham.com 2011-267-4 rev A