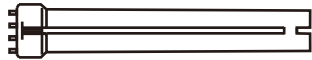


SPECIFICATION SHEET : NPY-120-232-CFL

This Is An Original Product From Fulham Co., Inc

Description : PONY Series, High Frequency Electronic, Rapid Start Ballast,
*** Meets Energy Star 4.0 Criteria For Applications Listed.**

This Ballast Will Operate Following Lamps.



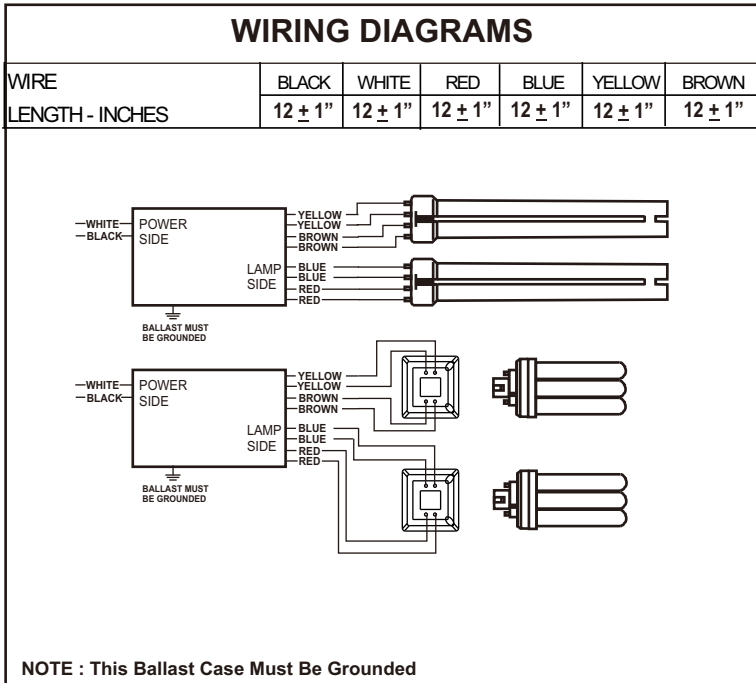
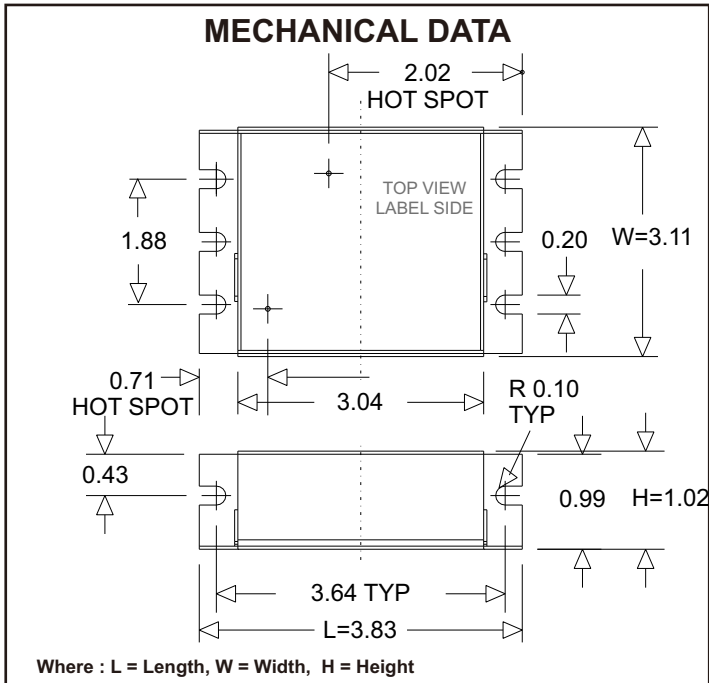
TWIN(CFTE)
27/36W



TRIPLE(CFTR/E)
32W

ELECTRICAL DATA

INPUT VOLT: 120V ± 10%, 50/60Hz									
LAMP WATTS/TYPE	*36/39CFT/E	32CFTR/E	32CRT9	-	-	-	-	-	-
LAMPS OPERATED	2	2	2						
INPUT WATTS	69.61	64.03	62.33						
LINE CURRENT:	0.986	0.884	0.897						
POWER FACTOR	0.580	0.604	0.379						
BALLAST FACTOR	0.955	0.853	1.033						
EFFICACY FACTOR	1.372	1.333	1.657						
THD	134.87	125.97	135.87						
CURRENT CREST FACTOR	< 1.7								
EMI/RFI COMPLIANCE	FCC PART 18-B (Consumer)								
SOUND RATING	" A "								
BALLAST TYPE	RAPID START								
VOLTAGE TRANSIENTS	ANSI 62.41								
INPUT/PROTECTION	FUZE								
OUTPUT/PROTECTION	EOL								
MIN. OPERATING TEMP	0 °C (32 °F)								
MAX. CASE TEMP	75 °C (167 °F)								
ENERGY STAR 4.0	YES								
APPROVALS/CLASS	UL LISTED, CLASS " P ", 1 OUTDOOR								



Fulham extends a limited warranty only to the original purchaser or to the first user for a period of 2 years from the date of manufacture when properly installed and operated under normal conditions of use. For complete terms and conditions, please reference the Fulham product catalog (www.fulham.com)
Due to a program of continuous improvement, Fulham reserves the right to make modifications or variations in design or construction to the equipment described.