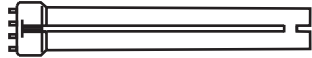


SPECIFICATION SHEET : NPY-120-226-CFL

This Is An Original Product From Fulham Co., Inc

**Description : PONY Series, High Frequency Electronic, Rapid Start Ballast,
 * Meets Energy Star 4.0 Criteria For Applications Listed.**

This Ballast Will Operate Following Lamps.



TWIN(CFTE)
18W, 24/27W



QUAD(CDQ/E)
26W

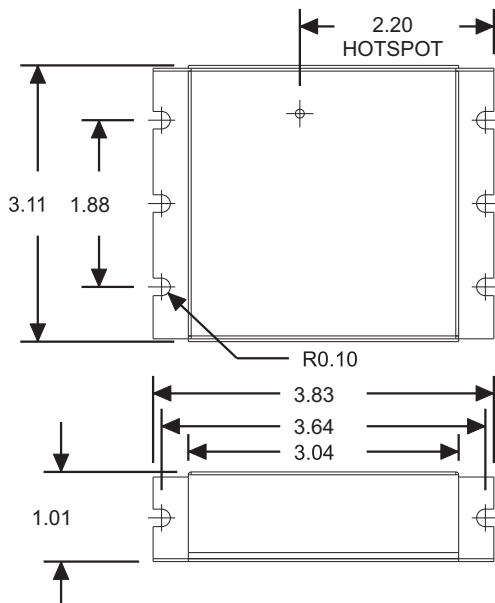


TRIPLE(CFTR/E)
26W

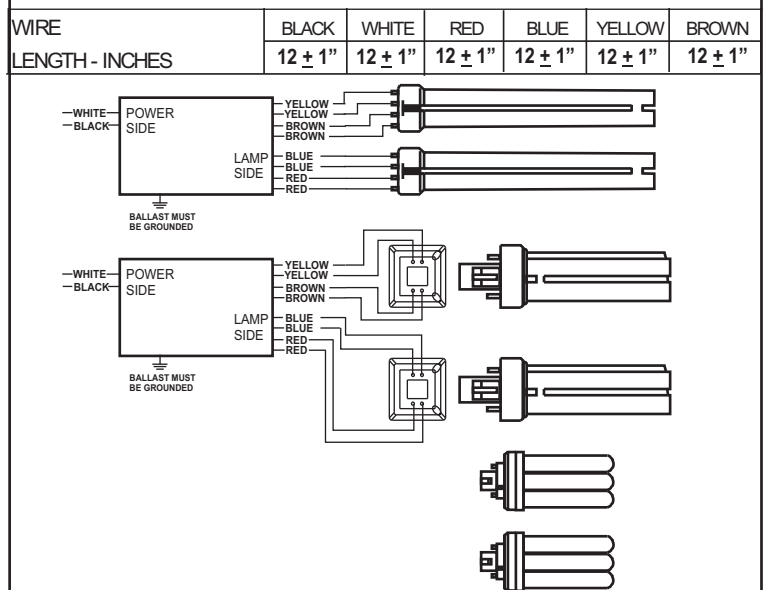
ELECTRICAL DATA

INPUT VOLT: 120V ± 10%, 50/60Hz									
LAMP WATTS/TYPE	18CFT/E	*24/27CFT/E	*26CFQ/E	26CFTR/E	22CRT9	-	-	-	-
LAMPS OPERATED	2	2	2	2	2				
INPUT WATTS	38.75	51.13	58.06	55	43.44				
LINE CURRENT:	0.566	0.730	0.805	0.780	0.633				
POWER FACTOR	0.569	0.582	0.597	0.590	0.572				
BALLAST FACTOR	1.014	0.991	1.058	1.004	1.028				
EFFICACY FACTOR	2.616	1.939	1.822	1.826	2.366				
THD	142.17	135.87	130.07	131.00	141.17				
CURRENT CREST FACTOR	< 1.7								
EMI/RFI COMPLIANCE	FCC PART 18-B (Consumer)								
SOUND RATING	" A "								
BALLAST TYPE	RAPID START								
VOLTAGE TRANSIENTS	ANSI 62.41								
INPUT/PROTECTION	FUSE								
OUTPUT/PROTECTION	EOL								
MIN. OPERATING TEMP	0 °C (32 °F)								
MAX. CASE TEMP	75 °C (167 °F)								
ENERGY STAR 4.0	YES								
APPROVALS/CLASS	UL /cUL LISTED, CLASS " P ", 1 OUTDOOR								

MECHANICAL DATA



WIRING DIAGRAMS



NOTE : This Ballast Case Must Be Grounded

Fulham extends a limited warranty only to the original purchaser or to the first user for a period of 2 years from the date of manufacture when properly installed and operated under normal conditions of use. For complete terms and conditions, please reference the Fulham product catalog (www.fulham.com)
Due to a program of continuous improvement, Fulham reserves the right to make modifications or variations in design or construction to the equipment described.