



SPECIFICATION SHEET : LH5-277-L

This Is An Original Product From Fulham Co., Inc

Description : LongHorse Series Versatile, Solid State Electronic Ballast. Small Case Size, High Power Factor, Light Weight, Available In 120/277V 50/60 Hz.

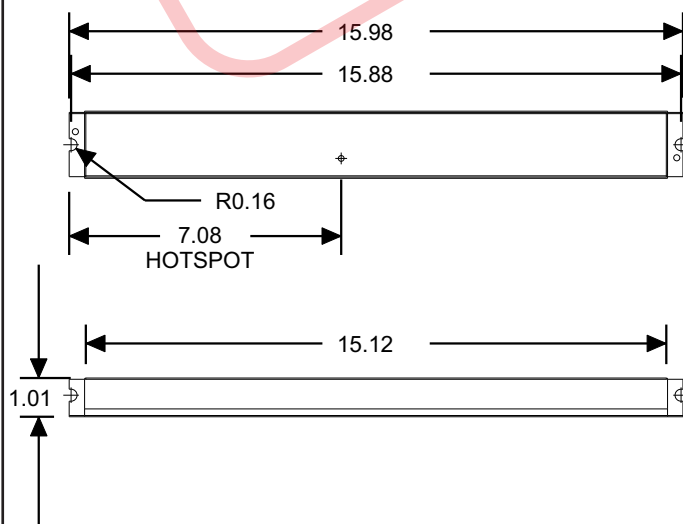
This Ballast Will Operate Following Lamps.

REFER TO LAMP WATTS/TYPE

ELECTRICAL DATA

INPUT VOLT: 277V ± 10% , 50/60Hz					
LAMP WATTS/TYPE	LAMPS OPERATED	INPUT WATTS	LINE CURRENT	BALLAST FACTOR	EFFICACY FACTOR
F40T12	2	83	0.32	1.3	1.5
F72T12	2	132	0.51	1.3	0.9
F40T12	1	33	0.13	1.0	3.0
CFTR42W	2	33	0.13	0.9	2.8
POWER FACTOR			> 0.9		
THD			< 34.6 %		
EMI/RFI COMPLIANCE			FCC PART 18-A		
SOUND RATING			" A "		
BALLAST TYPE			INSTANT START		
VOLTAGE TRANSIENTS			ANSI C82.11 - 1993		
INPUT/PROTECTION			FUSE		
REMOTE MOUNTING			20ft Max.		
MIN. OPERATING TEMP			- 30 °C (- 20 °F)		
MAX. CASE TEMP			70 °C (158 °F)		
ENERGY STAR 4.0			-		
APPROVALS/CLASS			UL /cUL LISTED, CLASS " P ", 1 OR 2 OUTDOOR		

MECHANICAL DATA



WIRING DIAGRAMS

WIRE	BLACK	WHITE	RED	BLUE	YELLOW	BROWN
LENGTH - INCHES	12 ± 1"	12 ± 1"	34 ± 1"	-	34 ± 1"	-

FOR WIRING DIAGRAM,
PLEASE REFER TO FULHAM'S CATALOG

NOTE : This Ballast Must Be Grounded

Fulham extends a limited warranty only to the original purchaser or to the first user for a period of 5 years from the date of manufacture when properly installed and operated under normal conditions of use. For complete terms and conditions, please reference the Fulham product catalog (www.fulham.com) Due to a program of continuous improvement, Fulham reserves the right to make modifications or variations in design or construction to the equipment described.