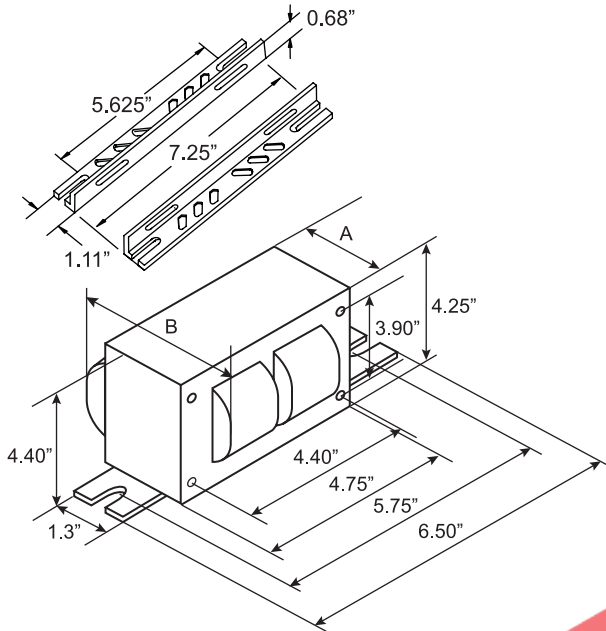


Mechanical Data:

4.25" x 4.75" CORE-2 COIL UNIT



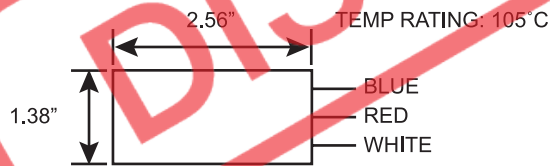
DIMENSION A	2.13 IN
DIMENSION B	4.13 IN
TOTAL WEIGHT	13.12 LBS
LEAD LENGTHS	12 IN

HARDWARE KIT: HH-MH-HDW3 CLAMP: HH-MH-IGCLMP
2 3" Thru-Bolts 4 Flat Washers
2 Lock Washers 2 Nuts

Electrical Data:

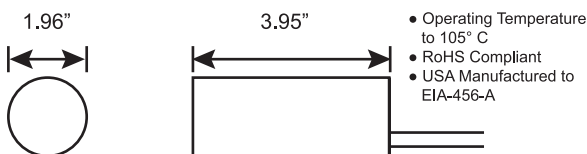
INPUT VOLTS	120	208	240	277
MINIMUM STARTING TEMPERATURE	-20°F or -30°C			
POWER FACTOR	90%			
ANSI CODE	450 WATTS LAMP, M-144			
CIRCUIT TYPE	CWA			
WATTS INPUT	504			
MAX INPUT CURRENT	4.269	2.458	2.136	1.845
NOM. OPEN CIRCUIT VOLTAGE	285			
RECOMMENDED FUSE (Amps)	10	6	5	4
REGULATION	±10%			
LINE VOLTS	±10%			
LAMPS WATTS				
INPUT WATTS AT LAMP DROPOUT	72	117	127	148
LINE CURRENT (AMPS)				
OPERATING	4.269	2.458	2.136	1.845
OPEN CIRCUIT	2.402	1.395	1.207	1.054
STARTING	3.120	1.872	1.631	1.418
UL TEMPERATURE RATINGS				
INSULATION CLASS	H(180)			
COIL TEMPERATURE CODE	1029			
CAPACITOR REQUIREMENT				
MFD	26uF			
MIN VOLT	400			
IGNITOR				
PART NUMBER	HH-MH-IG450			
MAX DIST TO LAMP	2 FT			
60Hz TEST PROCEDURES				
HIGH POTENTIAL TEST (VOLTS)	1 MIN: 2000, 2 SEC: 2500			
OPEN CIRCUIT VOLTAGE TEST (VOLTS)	260-310			
SHORT CIRCUIT CURRENT TEST (AMPS)	3.84-4.69			
SECONDARY CURRENT				
INPUT CURRENT	3.402	1.966	1.696	1.481

Ignitor:

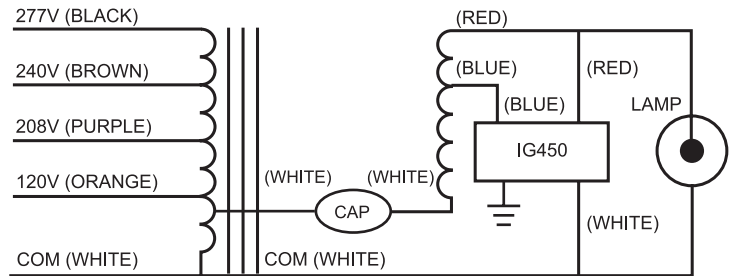


Capacitor:

Dry Capacitor: HHMH-DCAP-450P



Wiring Diagram:



Options:

Basic Ballast Kit includes Ballast, Ignitor and Mounting Hardware only. For capacitor option, add Base Model No. and one Capacitor code:
D = Dry Kit: Ballast + Ignitor + Dry Capacitor + Mounting Hardware
W = Wet Kit: Ballast + Ignitor + Wet Capacitor + Mounting Hardware

HID Ballast and Lamp Kits also available; please see website www.fulham.com.