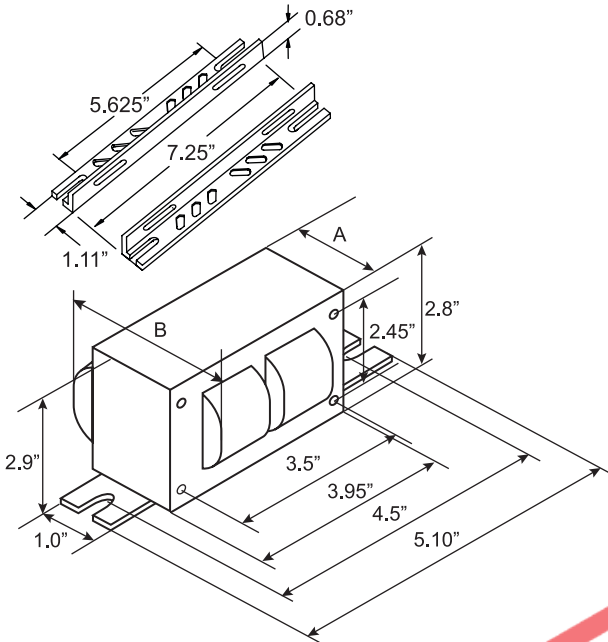


### Mechanical Data:

4.25" x 4.75" CORE-2 COIL UNIT



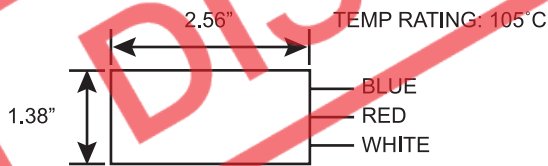
DIMENSION A	2.48 IN
DIMENSION B	3.94 IN
TOTAL WEIGHT	7.94 LBS
LEAD LENGTHS	12 IN

HARDWARE KIT: HH-MH-HDW3      CLAMP: HH-MH-IGCLMP  
 2 3" Thru-Bolts      4 Flat Washers  
 2 Lock Washers      2 Nuts

### Electrical Data:

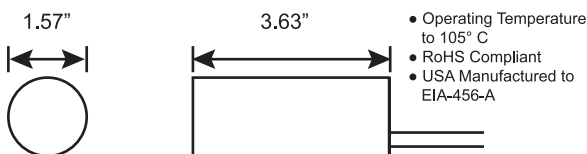
INPUT VOLTS	120	208	240	277
MINIMUM STARTING TEMPERATURE	-20°F or -30°C			
POWER FACTOR	90%			
ANSI CODE	200 WATTS LAMP, M-136			
CIRCUIT TYPE	CWA			
WATTS INPUT	225			
MAX INPUT CURRENT	1.972	1.098	0.953	0.822
NOM. OPEN CURRENT VOLTAGE	243			
RECOMMENDED FUSE (Amps)	6	3	3	2.5
REGULATION				
LINE VOLTS	±10%			
LAMPS WATTS	±10%			
INPUT WATTS AT LAMP DROPOUT	83	151	168	191
LINE CURRENT (AMPS)				
OPERATING	1.972	1.098	0.953	0.822
OPEN CIRCUIT	0.737	0.408	0.366	0.332
STARTING	1.845	1.048	0.904	0.765
UL TEMPERATURE RATINGS				
INSULATION CLASS	H(180)			
COIL TEMPERATURE CODE	1029			
CAPACITOR REQUIREMENT				
MFD	15uF			
MIN VOLT	350			
IGNITOR				
PART NUMBER	HH-MH-IG175-200			
MAX DIST TO LAMP	2 FT			
60Hz TEST PROCEDURES				
HIGH POTENTIAL TEST (VOLTS)	1 MIN: 2000, 2 SEC: 2500			
OPEN CIRCUIT VOLTAGE TEST (VOLTS)	218-268			
SHORT CIRCUIT CURRENT TEST (AMPS)	2.140-2.360			
SECONDARY CURRENT				
INPUT CURRENT	1.797	1.004	0.865	0.737

### Ignitor:

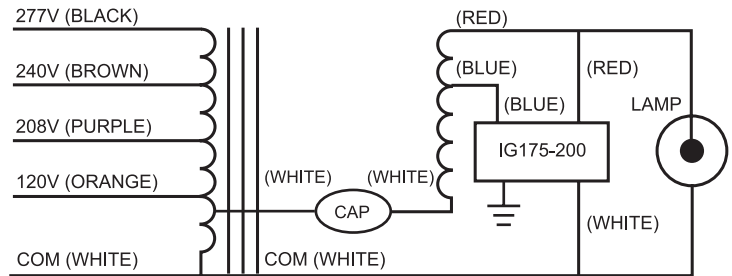


### Capacitor:

Dry Capacitor: HHMH-DCAP-200P



### Wiring Diagram:



### Options:

Basic Ballast Kit includes Ballast, Ignitor and Mounting Hardware only.  
 For capacitor option, add Base Model No. and one Capacitor code:  
**D** = Dry Kit: Ballast + Ignitor + Dry Capacitor + Mounting Hardware  
**W** = Wet Kit: Ballast + Ignitor + Wet Capacitor + Mounting Hardware

HID Ballast and Lamp Kits also available; please see website [www.fulham.com](http://www.fulham.com).