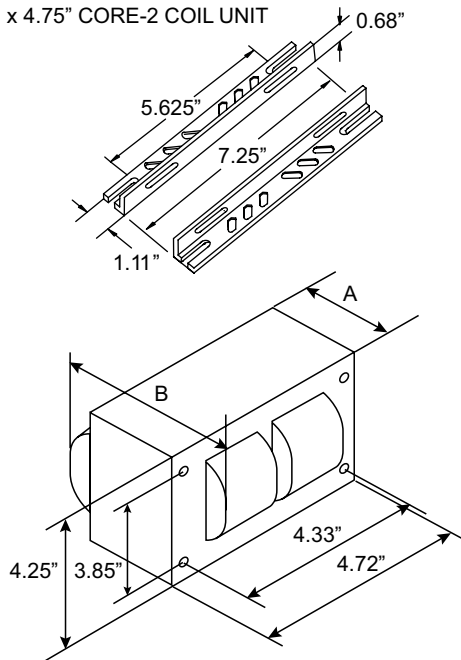


### Mechanical Data:

4.25" x 4.75" CORE-2 COIL UNIT

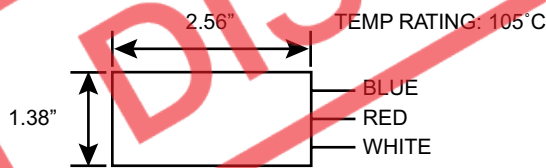


DIMENSION A	2.24 IN
DIMENSION B	3.95 IN
TOTAL WEIGHT	13.23 LBS
LEAD LENGTHS	12 IN
HARDWARE KIT: HH-MH-HDW3      CLAMP: HH-MH-IGCLMP	
2 3" Thru-Bolts	4 Flat Washers
2 Lock Washers	2 Nuts

### Electrical Data:

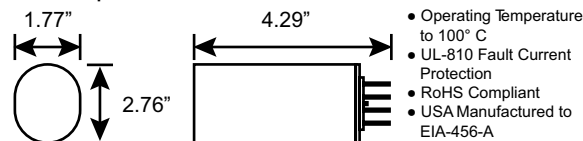
INPUT VOLTS	120	208	240	277
MINIMUM STARTING TEMPERATURE	-20°F or -30°C			
POWER FACTOR	90%			
ANSI CODE	400 WATT LAMP, S-51			
CIRCUIT TYPE	CWA			
WATTS INPUT	461			
MAX INPUT CURRENT	3.80	2.20	1.90	1.70
NOM. OPEN CURRENT VOLTAGE	195			
RECOMMENDED FUSE (Amps)	10	6	5	5
REGULATION				
LINE VOLTS	±10%			
LAMPS WATTS	±10%			
INPUT WATTS AT LAMP DROPOUT	87	88.5	88	90
LINE CURRENT (AMPS)				
OPERATING	3.80	2.20	1.90	1.70
OPEN CIRCUIT	2.00	1.20	0.95	0.85
STARTING	3.14	1.82	1.58	1.37
UL TEMPERATURE RATINGS				
INSULATION CLASS	H(180)			
COIL TEMPERATURE CODE	1029			
CAPACITOR REQUIREMENT				
MFD	55uF			
MIN VOLT	240			
IGNITOR				
PART NUMBER	HH-HPS-IG200-400			
MAX DIST TO LAMP	2 FT			
60Hz TEST PROCEDURES				
HIGH POTENTIAL TEST (VOLTS)	1 MIN: 2000, 2 SEC: 2500			
OPEN CIRCUIT VOLTAGE TEST (VOLTS)	175-215			
SHORT CIRCUIT CURRENT TEST (AMPS)	6.00-7.40			
SECONDARY CURRENT				
INPUT CURRENT	3.00	1.75	1.50	1.28

### Ignitor:

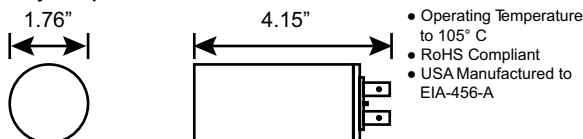


### Capacitor:

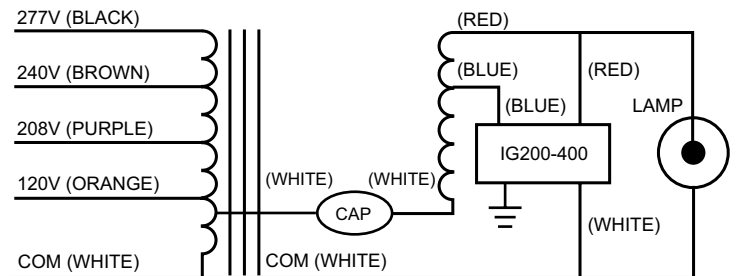
Wet Capacitor: HHHPS-WCAP-400



Dry Capacitor: HHHPS-DCAP-400



### Wiring Diagram:



### Options:

Basic Ballast Kit includes Ballast, Ignitor and Mounting Hardware only. For capacitor option, add Base Model No. and one Capacitor code:

**D** = Dry Kit: Ballast + Ignitor + Dry Capacitor + Mounting Hardware  
**W** = Wet Kit: Ballast + Ignitor + Wet Capacitor + Mounting Hardware

HID Ballast and Lamp Kits also available; please see website [www.fulham.com](http://www.fulham.com).