



Discontinued
Contact Fulham for availability. Not for use in new designs.



FHEM11



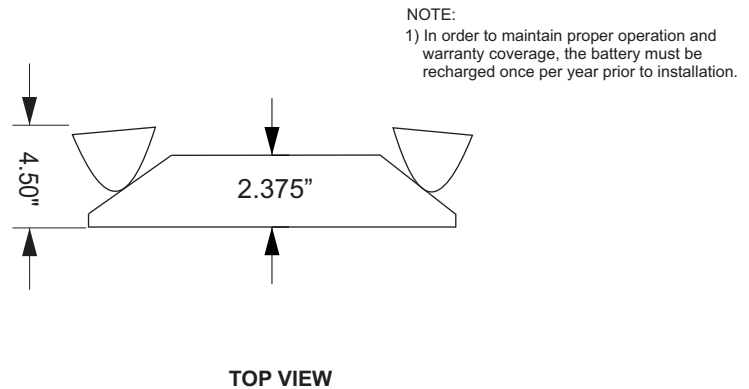
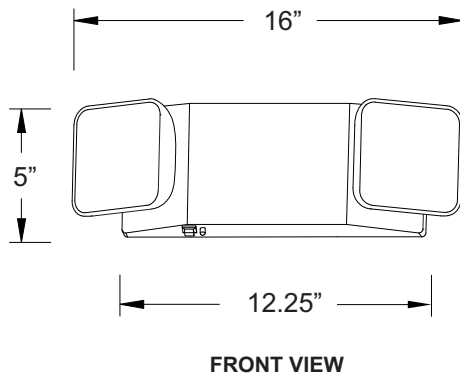
Thermoplastic Adjustable Emergency Lighting Unit

- Push-to-test switch
- LED charge indicator
- Specification grade design
- Automatic low voltage disconnect (LVD)
- Maintenance free, 6V sealed lead-acid battery
- Fully adjustable glare free lighting heads
- Universal mounting pattern knockout in backplate for J-box mounting
- Damp location listed
- Dual voltage 120V/277V
- UL Listed in accordance with UL924

General Specifications

Input Voltage	120/277VAC
Input Current (120V)	60mA
Input Current (277V)	31mA
Input Power (120V)	6.7W
Input Power (277V)	7.3W
Operating Frequency	60Hz
Overall Size	16" L x 5" H
Emergency Operation	90 minutes
Compliance	UL 924 Listed Damp Location
Warranty	5 years from the date of manufacture

Mechanical Data



Part Number Matrix

FHEM11

W

Finish
W = White

This product does not meet CEC Title 20 Code of Regulations.

Fulham Co. Inc.: 12705 South Van Ness Ave., Hawthorne, CA 90250 Tel.: 1-323-779-2980 Fax.: 1-323-754-9060. order@fulham.com www.fulham.com
Specifications subject to change without notice.