



VTR-14-MU-30-9TW-A VTR-22-MU-30-9TW-A, VTR-24-MU-45-9TW-A



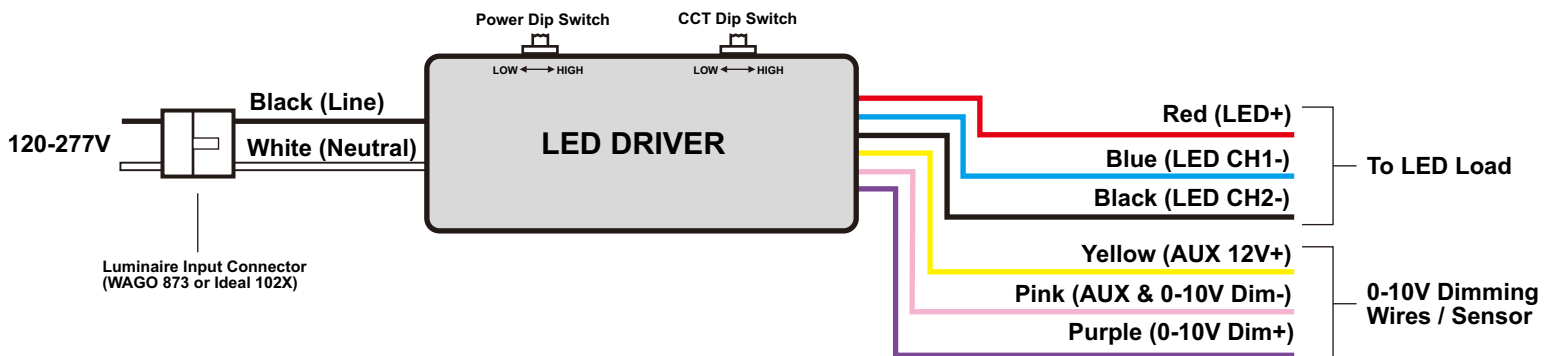
LED TROFFER RETROFIT LUMINAIRE

- Suitable for 1'x4', 2'x2' and 2'x4' luminaires
- Universal Voltage with 0-10V dimming
- Meets CEC Title 24 JA10
- 3 selectable power levels per Model
- Optional Occupancy Sensor
- LED Troffer retrofit kits completely assembled within frame
- DLC 5.1 Premium Listed
- CCT Selectable (3500K / 4000K / 5000K); 3500K(Default)
- UL1598C, suitable for dry or damp locations
- 12VDC AUX output

General Specifications

	VTR-14-MU-30-9TW-A	VTR-22-MU-30-9TW-A	VTR-24-MU-45-9TW-A
Input Voltage	120~277VAC (+/- 10%)		
Operating Frequency	50 / 60Hz		
Input Current	0.16A - 0.25A @120VAC 0.07A - 0.11A @277VAC	0.16A - 0.25A @120VAC 0.07A - 0.11A @277VAC	0.28A - 0.38A @120VAC 0.12A - 0.16A @277VAC
Initial Lumen Output	Please see Page 2.		
Input Power (Selectable)	20W, 25W, 30W(Default)	20W, 25W, 30W(Default)	34W, 38W, 45W(Default)
Efficacy	125 lm/W		
Input PF	>0.9		
THD	<20%		
Beam Angle	120°		
Color Rendering Index	90 CRI Standard		
Operating Ambient Temperature Range (Ta)	-20°C to 50°C (-4°F to 122°F)		
Estimated Lumen Maintenance	L70>60,000hrs; L90>36,000hrs		
Dimming Type	0-10V Dimming		
Dimming Range	100%-10%, Dim to Off		
Auxiliary Output	12VDC / 100mA		
Flicker Percentage	<10%		
Overall Size	1215mm(47.8") x 302mm(11.9")	606mm(23.8") x 606mm(23.8")	1215mm(47.8") x 606mm(23.8")
Driver Part Number	T1M1UNV065S-30L	T1M1UNV065S-30L	T1M1UNV095S-40L
Safety/Compliance	DLC 5.1 Premium Listed UL1598C (E365124): Dry or Damp Location CEC Title 24 JA10		
Warranty	5 years @ Max. Ta 50°C (122°F) from the date of manufacture.		

General Wiring Diagram





VTR-14-MU-30-9TW-A
 VTR-22-MU-30-9TW-A, VTR-24-MU-45-9TW-A



Part Number Matrix

V TR - 22 - M U - 30 - 9 TW - A

Product Line **V** = VividHorse Type **TR** = Troffer Retrofit Dimension **14** = 1' x 4'
22 = 2' x 2' **24** = 2' x 4' Dimming **M** = 0-10V Input Voltage **U** = Universal (120 - 277VAC) Max. Power **30** = 30W (1x4 & 2x2) **45** = 45W (2x4) CRI **9** = 90 Color Temperature **TW** = Tunable White (3500K/4000K/5000K) Option

Electrical and Optical Specifications

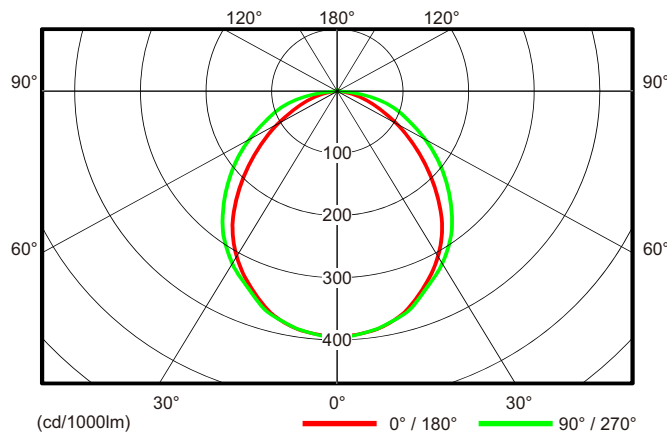
Model

VTR-22-MU-30-9TW-A (1'x4')

VTR-22-MU-30-9TW-A (2'x2')

Rated Power	CRI / CCT	Rated Lumen	Rated Efficacy
30W	90/ 3500K	3750 lm	125 lm/W
	90/4000K	3780 lm	126 lm/W
	90/ 5000K	3810 lm	127 lm/W
25W	90/ 3500K	3200 lm	128 lm/W
	90/4000K	3225 lm	129 lm/W
	90/ 5000K	3250 lm	130 lm/W
20W	90/ 3500K	2620 lm	131 lm/W
	90/4000K	2640 lm	132 lm/W
	90/ 5000K	2660 lm	133 lm/W

Zone	Zone Flux	Zone Flux%	Sum Zone Flux	Sum Zone Flux%
0 ~ 10	135.7	3.7%	135.7	3.7%
10 ~ 20	383.9	10.6%	519.5	14.3%
20 ~ 30	564.5	15.6%	1084.0	29.9%
30 ~ 40	661.0	18.2%	1745.0	48.1%
40 ~ 50	643.4	17.7%	2388.4	65.8%
50 ~ 60	537.8	14.8%	2926.2	80.6%
60 ~ 70	383.2	10.6%	3309.4	91.2%
70 ~ 80	236.6	6.5%	3546.0	97.7%
80 ~ 90	73.1	2.0%	3619.1	99.7%
90 ~ 180	11.0	0.3%	3630.1	100.0%

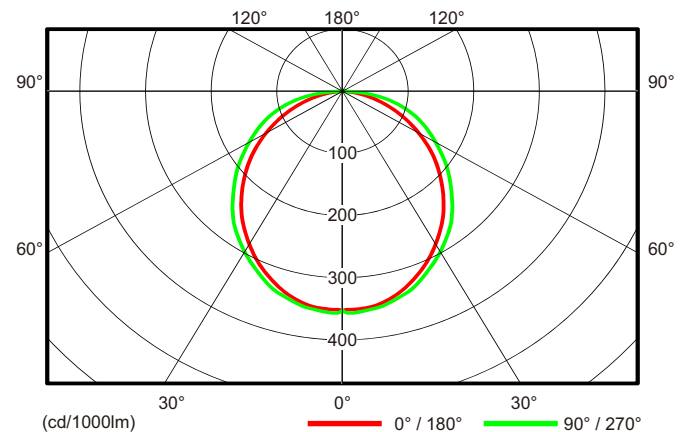


Model

VTR-24-MU-45-9TW-A (2'x4')

Rated Power	CRI / CCT	Rated Lumen	Rated Efficacy
45W	90/ 3500K	5625 lm	125 lm/W
	90/4000K	5670 lm	126 lm/W
	90/ 5000K	5715 lm	127 lm/W
38W	90/ 3500K	4864 lm	128 lm/W
	90/4000K	4902 lm	129 lm/W
	90/ 5000K	4940 lm	130 lm/W
34W	90/ 3500K	4454 lm	131 lm/W
	90/4000K	4488 lm	132 lm/W
	90/ 5000K	4522 lm	133 lm/W

Zone	Zone Flux	Zone Flux%	Sum Zone Flux	Sum Zone Flux%
0 ~ 10	191.1	3.4%	191.1	3.4%
10 ~ 20	538.9	9.5%	729.0	12.9%
20 ~ 30	803.5	14.2%	1532.5	27.1%
30 ~ 40	958.6	16.9%	2491.0	44.0%
40 ~ 50	980.9	17.3%	3471.9	61.4%
50 ~ 60	883.4	15.6%	4355.3	77.0%
60 ~ 70	689.3	12.2%	5044.7	89.2%
70 ~ 80	443.9	7.8%	5488.6	97.0%
80 ~ 90	153.4	2.7%	5642.0	99.7%
90 ~ 180	16.6	0.3%	5658.5	100.0%





VTR-14-MU-30-9TW-A VTR-22-MU-30-9TW-A, VTR-24-MU-45-9TW-A



Certification Chart

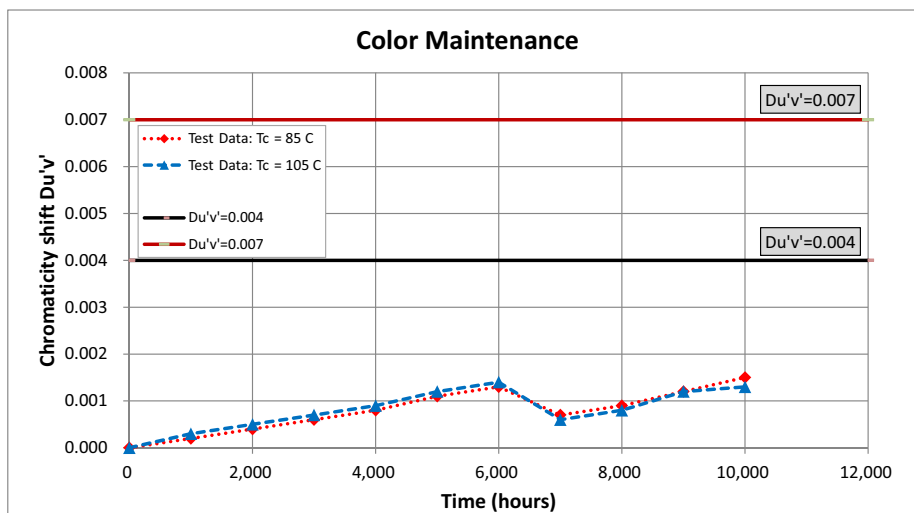
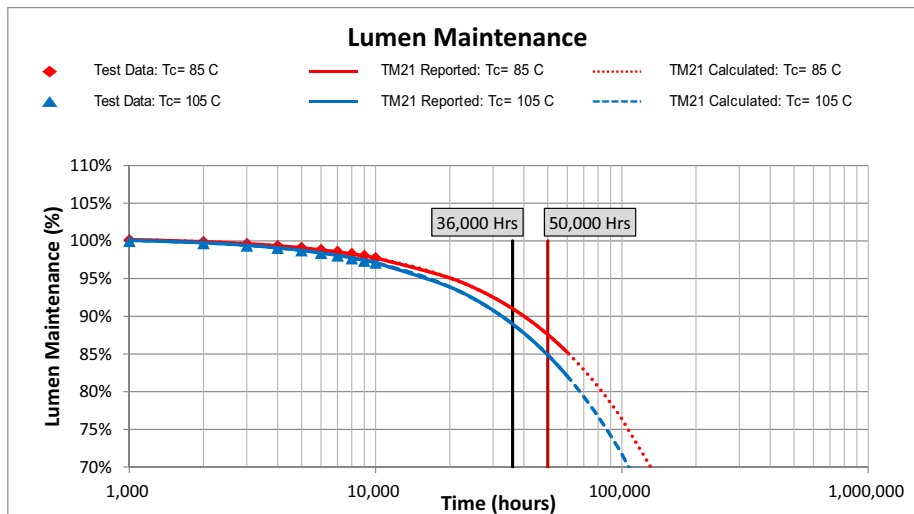
Model	VTR-14-MU-30-9TW-A VTR-22-MU-30-9TW-A VTR-24-MU-45-9TW-A
Classification	YES (T1M1UNVxxxS-xxL Driver Only)
	YES
	YES
	YES

Energy Star™ TM-21 Calculator Data

Tc Module	Reported L70	Reported L90
85°C	>60,000 Hrs	40,000 Hrs
96°C	>60,000 Hrs	36,000 Hrs
105°C	>60,000 Hrs	33,000 Hrs

Tc Module	Calculated L70	Calculated L90
85°C	131,000 Hrs	40,000 Hrs
96°C	117,000 Hrs	36,000 Hrs
105°C	106,000 Hrs	33,000 Hrs

LED Lumen & Color Maintenance Data per LM-80 report and TM-21 Calculator

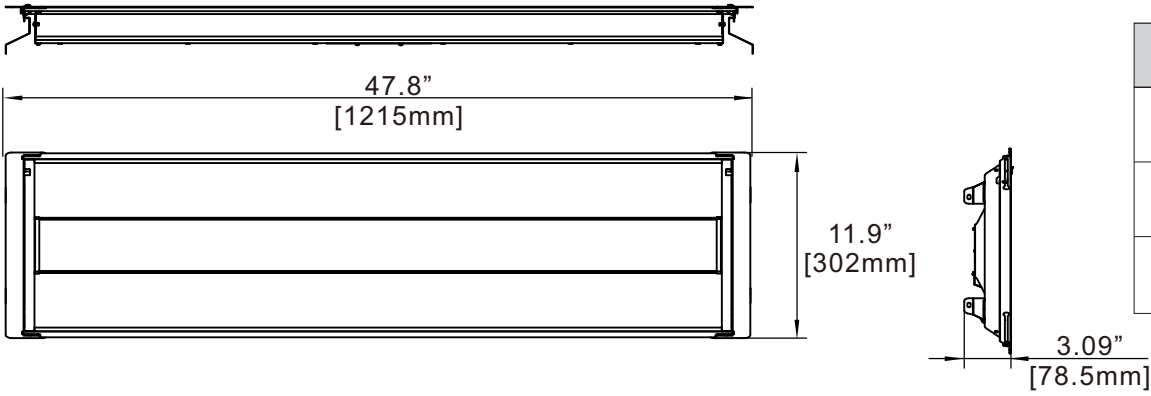




VTR-14-MU-30-9TW-A
 VTR-22-MU-30-9TW-A, VTR-24-MU-45-9TW-A

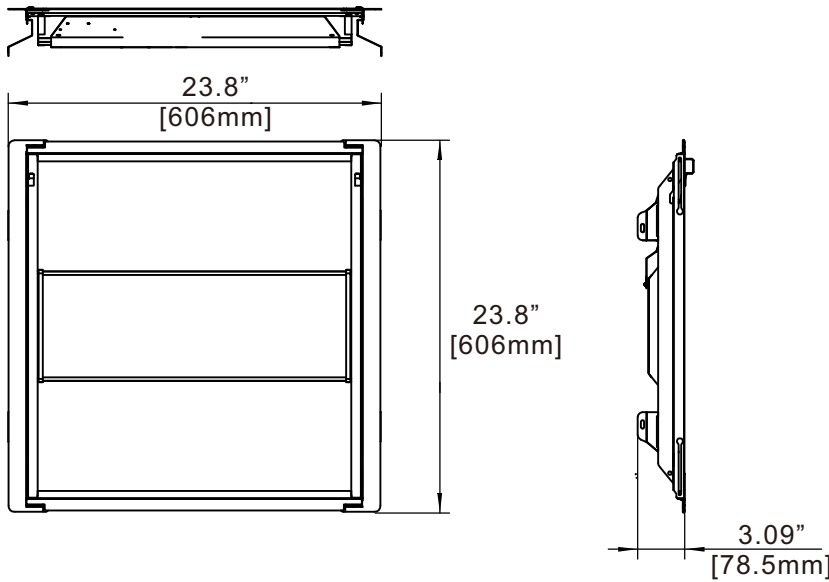


Mechanical Drawings



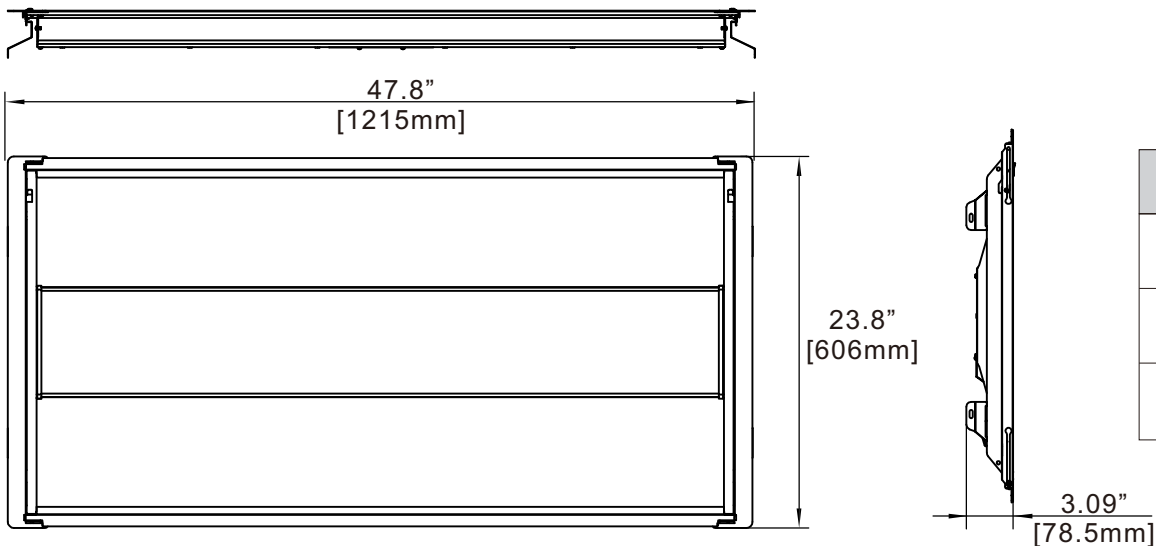
VTR-14-MU-30-9TW-A

Overall Dimensions	
Length	47.8" [1215mm]
Width	11.9" [302mm]
Height	3.09" [78.5mm]



VTR-22-MU-30-9TW-A

Overall Dimensions	
Length	23.8" [606mm]
Width	23.8" [606mm]
Height	3.09" [78.5mm]



VTR-44-MU-40-9TW-A

Overall Dimensions	
Length	47.8" [1215mm]
Width	23.8" [606mm]
Height	3.09" [78.5mm]



VTR-14-MU-30-9TW-A VTR-22-MU-30-9TW-A, VTR-24-MU-45-9TW-A



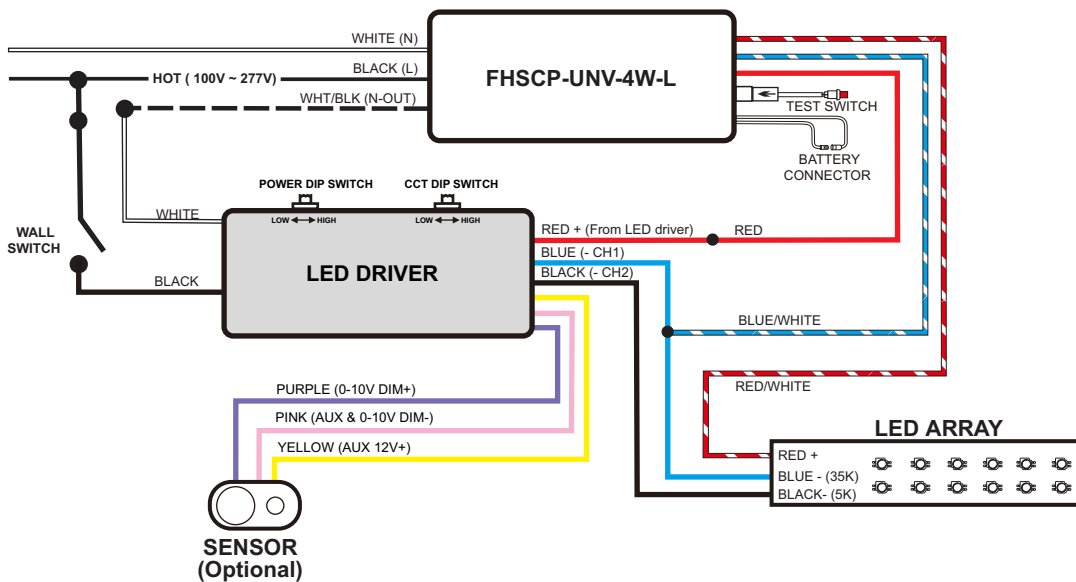
Accessories (Sold Separately)

Emergency Battery Back-up: FHSCP-UNV-4W-L

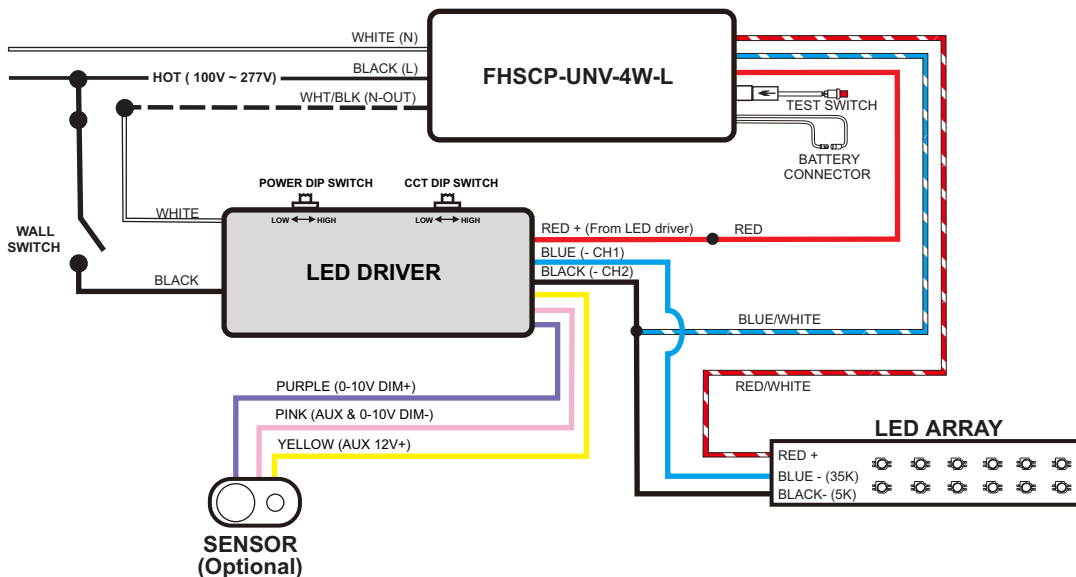
- 4W Constant Power Emergency Back-up
- 500lm
- 90 min.Runtime.



Wiring Diagram 1: 3500K Emergency Output



Wiring Diagram 2: 5000K Emergency Output





VTR-14-MU-30-9TW-A VTR-22-MU-30-9TW-A, VTR-24-MU-45-9TW-A



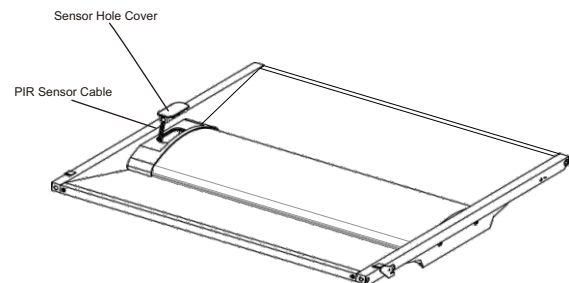
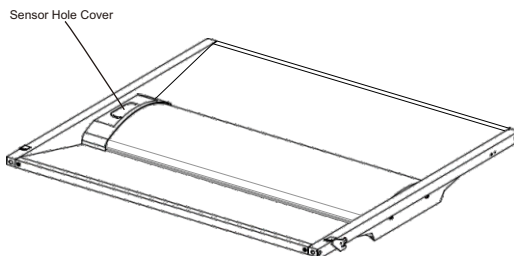
Accessories (Sold Separately)

PIR Motion / Lux Sensor: ELMOPLX00SR

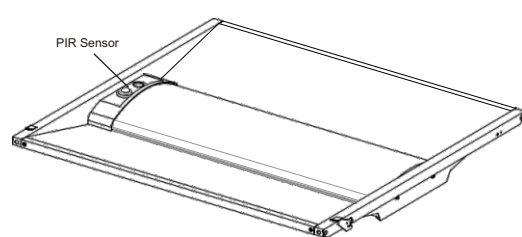
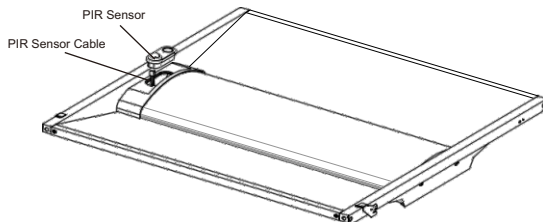
IR Remote Control: ELMOPLX00SR-RM

E	L	M	OP	L	X	00	SR
Lighting Control	Subfamily	Primary Protocol & Powering	Primary Function	Package	Secondary Protocol & Powering	Secondary Control Channels	Detection Range
E = EliteControl	L = Link	M = 0-10V	OP = Occupancy & Photo sensor	L = Luminaire	X = None	00 = None	SR = Short Range

Specifications	
Input	DC 12V 8mA
Dimming	0-10V, dim-to-off
Detection Range	48ft
Mounting Height	15ft
IP Rating	IP20
Operating Temperature	-30°F to 131°F (-30°C to 55°C)



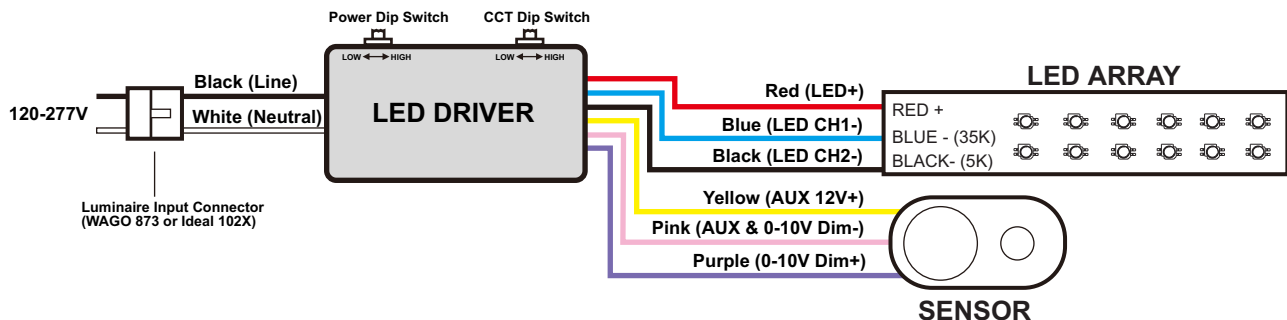
Step 1
Locate and remove the sensor hole cover from the retrofit kit housing.



Step 2
Remove the cable that is attached to the back of the sensor hole cover and insert the terminal into the PIR sensor.

Step 3
Insert the PIR sensor into the sensor hole on the retrofit kit housing and make sure its secured properly.

General Wiring Diagram





VTR-14-MU-30-9TW-A
 VTR-22-MU-30-9TW-A, VTR-24-MU-45-9TW-A



Product Image

VTR-22-MU-30-9TW-A



VTR-14-MU-30-9TW-A



VTR-24-MU-45-9TW-A



Packaging

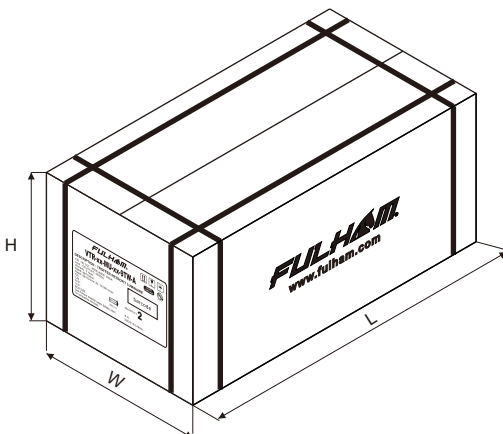
Master Carton

VTR-14-MU-30-9TW-A

VTR-22-MU-30-9TW-A

OUTER DIMENSION		
L	W	H
49.84"(1266mm)	12.80"(325mm)	4.84"(123mm)
Net Weight	Gross Weight	QUANTITY
11.25 lbs. (5.1 kg)	17.1 lbs. (7.75 kg)	2 pcs.

OUTER DIMENSION		
L	W	H
25.67"(652mm)	24.84"(631mm)	5.24"(133mm)
Net Weight	Gross Weight	QUANTITY
17.32 lbs. (7.86 kg)	18.5 lbs. (8.4 kg)	2 pcs.



VTR-24-MU-45-9TW-A

OUTER DIMENSION		
L	W	H
49.96"(1269mm)	24.84"(631mm)	5.24"(133mm)
Net Weight	Gross Weight	QUANTITY
26.7 lbs. (12.1 kg)	29.1 lbs. (13.2 kg)	2 pcs.