



SHS10-UNV-H SHS10-UNV-H-YYYY



RoHS
COMPLIANT



Electronic Ballast For Use With UV & Tanning Applications

- Input Voltage/Frequency: 120-277VAC,50/60Hz
- Load Rating: 38-190W per lamp, 190W Max. Load
- Standard Output Current: 1000mA (+/- 10% tolerance)

SHS10-UNV-H-YYYY

- Factory Set Output Current Range Option
 - MOQ applies for output current options other than standard 1000mA output.
 - Custom output current part number: SHS10-UNV-H-YYYY; Where "YYYY" denotes the desired set output current. For example for 800mA output, order SHS10-UNV-H-0800.
 - See Made-To-Order section for further details and requirements.

General Specifications

Input Voltage / Frequency	120-277VAC,50/60Hz
Max. Current	1.04A
Input Power at Full load	200W
Power Factor	>0.9
THD	<20%
Ballast Efficiency	Typically>90%@Full Load(See Figure 1)
Ballast Type	Programmed Pre-Heat Start
Max. Output Voltage / Output Voltage To Ground	280V~
Load Rating	38-190W per lamp,190W Max. Load
Number of Lamps	1
Standard Output Current	1000mA (+/- 10% tolerance)
*Factory Set Output Current Range (Available Made-to-Order)	800mA - 1000mA (+/- 10% tolerance of set current) *Requires additional lamp and ballast verification testing and approval.
Lamp Type	Four pin T5
Lamp Wiring Method	Series Connection (when one lamp fails both lamps will turn off)
Lamp Operating Frequency	>=42KHZ
Lamp Current Crest Factor	<1.7
Number of Lamps Starts	10,000-15,000
Lamp Preheat Time	1.3 Seconds
Remote Operation	30ft (9.144m)
Min.Operating Temperature	-20°C (-4°F)
Max.Case Temperature	70°C (158°F)
Lamp ON/OFF Indicator Connection / Recommended Type	Yes / LED Type: ø5mm or ø3mm (3V / 5mA)
Case Dimensions	L 10" x W 2.55" x H 1.26" (228.6mm x 66mm x 31.2mm)
Connectors or Wires	Push in Connectors (Use 14-20AWG solid copper wire stripped to 3/8")
Weight	0.594Kg(1.31lb)
Approvals / Standards	UL935 (USA), CSA C22.2 NO.74-16/cUL CE (Europe), CB Scheme, Class P USA (ANSI/IEEE C62.41) Type R,S, Type CC, Type HL Type 1 Outdoor
IP Rating	IP20
RFI / EMI Protections	FCC Part 18B (Consumer) Europe Cisp15 Input Surge Protection Line-Neutral 2.5KV, Line & Neutral-Ground 2.5KV Current Protection End of Life Protection
Sound Rating	A
Service Life	50,000 hours lifetime @70°C(158°F)
Warranty	5 years @Tc 70°C (158°F) from the date of manufacture

* Factory set output current options will require additional lamp/ballast verification testing and approval to ensure optimal performance. Fulham must approve lamp/ballast combination before hand.

WARNING

This product may utilize Germicidal Ultraviolet (UV-C) Lamps. Germicidal ultraviolet rays are harmful to the eyes and skin. Avoid exposure to direct or reflected germicidal ultraviolet rays. Follow all the other safety instructions according to installation sheet.



RoHS
COMPLIANT

CB CE

UL US
LISTED
E186503

Lamp List Electrical Data

Electrical Data @120VAC

Lamp Wattage / Type	Lamps Operated	Input Wattage	Line Current	Power Factor	Ballast Factor	Efficacy Factor	THD
LMPHGS600	1	125.3	1.048	0.99	1.01	0.806	10.5%
LMPHGS500	1	104.1	0.872	0.99	1.02	0.977	11.5%

Electrical Data @230VAC

Lamp Wattage / Type	Lamps Operated	Input Wattage	Line Current	Power Factor	Ballast Factor	Efficacy Factor	THD
LMPHGS600	1	121.6	0.534	0.984	1.01	0.83	12.4%
LMPHGS500	1	103	0.453	0.98	1.02	0.99	14.3%

Electrical Data @277VAC

Lamp Wattage / Type	Lamps Operated	Input Wattage	Line Current	Power Factor	Ballast Factor	Efficacy Factor	THD
LMPHGS600	1	121.8	0.45	0.97	1.01	0.83	14.1%
LMPHGS500	1	103.3	0.386	0.958	1.02	0.987	16%

Note: Additional UL lamp testing will be required for lamps not currently UL Listed/Approved on the ballasts spec sheet or online lamp list

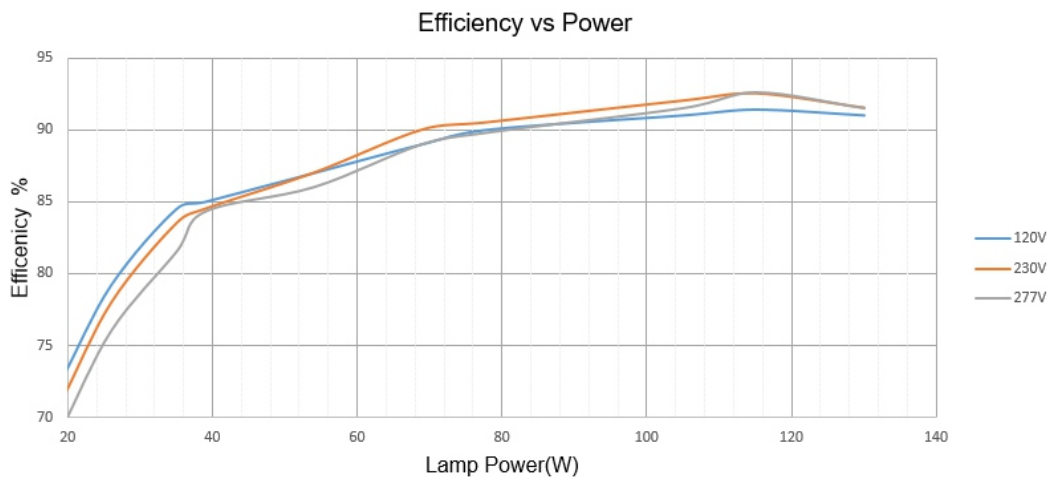
Online Lamp List and Wiring Diagram:

- www.fulham.com/contact-us/wiring-diagrams/

Scan QR code to be directed to lamp chart and wiring-diagram.



Figure 1





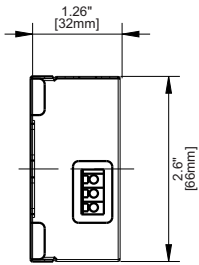
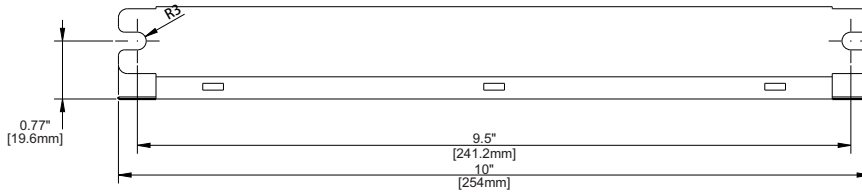
RoHS
COMPLIANT

CB CE

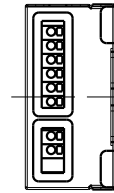
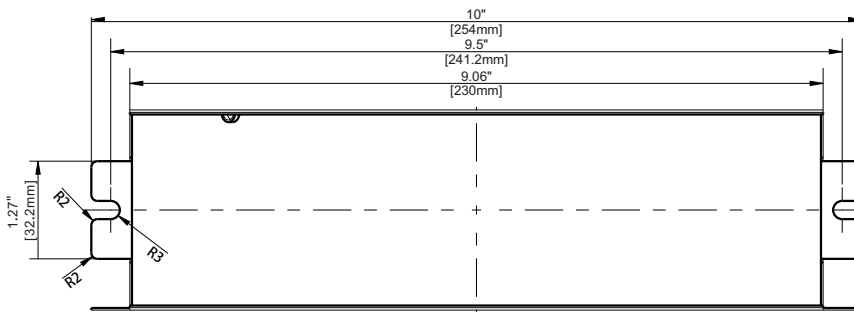
UL US
LISTED
E186503

Mechanical Data

Overall Dimensions	
Length	10.0" [254mm]
Width	2.6" [66mm]
Height	1.26" [32mm]
Mounting	9.5" [241.2mm]



Side View: Input

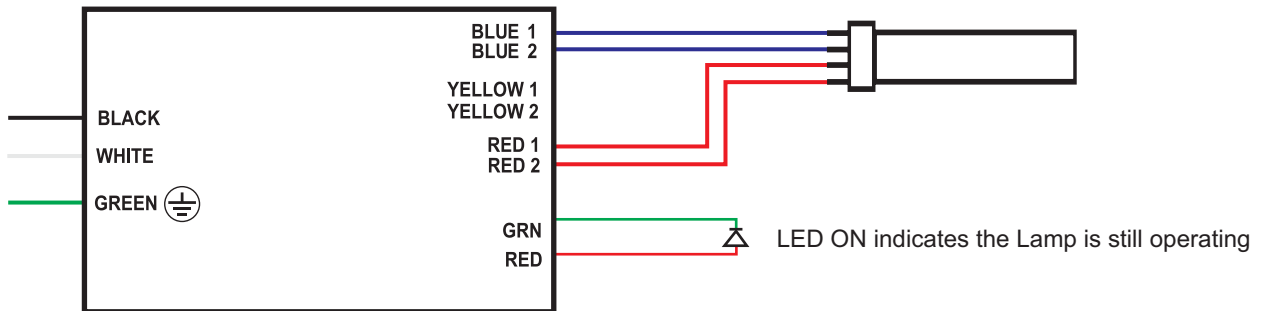


Side View: Output

Where : L = Length, W = Width, H = Height

±0.01" Tolerance

Wiring Diagram



Note:

- 1.) This ballast must be grounded.
- 2.) Use 18AWG solid copper wire stripped to 3/8" with ballast push in connectors.
- 3.) Recommend LED Type: 5mm or 3mm (3V/ 5mA)



SHS10-UNV-H
SHS10-UNV-H-YYYY



RoHS
COMPLIANT

CB CE



Part Number Matrix

SH

S

10

UNV

H

YYYY

Product Line

Ballast Type

Ballast Order
Number

Input Voltage

Case Type

* Output Current

SH = SunHorse

S = Standard

UNV = 120V~277V

H = Medium

Blank = 1000mA (Standard Stock Model)
YYYY = 800mA~1000mA (MTO)

* Standard stock Model: SHS10-UNV-H (1000mA output current)

* Made to Order (MTO) model: SHS10-UNV-H-YYYY - output current differs from the standard 1000mA model. Please see Made-to-Order information section for further details.

Made-to-Order (MTO) Information For SHS10-UNV-H-YYYY

Ballasts available as made-to-order with factory set current, depending on the output current desired. Minimum order quantity (MOQ) will apply. When ordering the appropriate output rating please denote the fixed output current based on the ratings range of the model. Replace the YYYY in the part number with the desired current.

Available Options and Additional Notes:

- Factory Set Output Current range: 800mA - 1000mA (+/- 10% tolerance of set current)
- Contact Fulham for further details on lead times and minimum order quantities (MOQ).
- Requires additional lamp/ballast verification testing and approval to ensure optimal performance. Fulham must approve lamp/ballast combination before hand.
- Additional UL verification testing will be needed to UL List lamps not already listed with UL.

MTO Ballast / Lamp Data



SHS10-UNV-H
SHS10-UNV-H-YYYY



RoHS
COMPLIANT

CB CE



Product Image



Packaging

Master Carton



OUTER DIMENSION		
L	W	H
13.74"(349mm)	11.57"(294mm)	7.6"(193mm)
Net Weight	Gross Weight	QUANTITY
38.8lbs. (17.6kg.)	41.01lbs. (18.6kg)	20pcs.