



RoHS
COMPLIANT



SHS1-UNV-C-I

Electronic Ballast For Use With UV & Tanning Applications

This Ballast Will Operate Following Lamps:

1. Refer to individual listing for electrical data.
2. Approved for any T5 Ø, 425mA Lamp.
3. Maximum ballast wattage 45W.

General Specifications

Input Voltage / Frequency	120 - 277VAC, 50 / 60Hz
Current Crest Factor	<1.7
Lamps Operated	1 or 2 Lamps
EMI / RFI Compliance	FCC Part 18-B (Consumer)
Sound Rating	" A "
Ballast Type	Pre-Heat
Voltage Transients	ANSI 62.41
Input Protection	Fuse
Output Protection	EOL
Min. Operating Temp	0°C (32°F)
Max. Case Temp	75°C (167°F)
Not HPF @277V:	1 x 17WT5/425mA, 1 x 15WT5/425mA, 1 x 14WT5/425mA, 1 or 2 10WT5/425mA, 1 x 16WT5/425mA, 1 x TUV 18W
Approvals Class	UL / cUL Listed, Class "P", Type 1 Outdoor, Type CC
Warranty	3 Years from the date of manufacture when properly installed

Electrical Data @120VAC

Lamp Wattage / Type	Lamps Operated	Input Wattage	Line Current	Power Factor	Ballast Factor	THD
10WT5 (425mA)	1	13.6	0.12	>0.98	0.97	<10%
	2	23.2	0.20	>0.98	0.96	<10%
14WT5 (425mA)	1	17.8	0.15	>0.98	0.96	<10%
	2	30.4	0.26	>0.98	0.94	<10%
15WT5 (425mA)	1	17.3	0.15	>0.98	0.96	<10%
	2	32.5	0.27	>0.98	0.94	<10%
17WT5 (425mA)	1	21.7	0.18	>0.98	0.96	<10%
	2	39.3	0.33	>0.98	0.94	<10%
TUV 18W (425mA)	1	23.0	0.19	>0.98	1.11	<10%
	2	43.5	0.36	>0.98	1.10	<10%
21WT5 (425mA)	1	25.7	0.22	>0.98	0.97	<10%
	2	48.3	0.40	>0.98	0.96	<10%
TUV 36W	1	42.6	0.36	>0.98	0.93	<10%
	2	N/A	N/A	N/A	N/A	N/A
38WT5 (425mA)	1	44.7	0.37	>0.98	0.96	<10%
	2	N/A	N/A	N/A	N/A	N/A
41WT5 (425mA)	1	47.5	0.39	>0.98	0.96	<10%
	2	N/A	N/A	N/A	N/A	N/A
GPH207T5 (425mA)	1	13.5	0.11	>0.98	0.97	<10%
	2	24.0	0.20	>0.98	0.98	<10%
GPH401T5 (425mA)	1	22.0	0.18	>0.98	1.0	<10%
	2	41.9	0.35	>0.98	0.99	<10%

SHS1-UNV-C-I



RoHS
COMPLIANT

CB CE



Lamp List Electrical Data

Electrical Data @277VAC

Lamp Wattage / Type	Lamps Operated	Input Wattage	Line Current	Power Factor	Ballast Factor	THD
10WT5 (425mA)	1	13.9	0.07	0.79	0.97	46.7%
	2	23.1	0.09	>0.9	0.96	16.6%
14WT5 (425mA)	1	17.7	0.08	0.81	0.96	31.3%
	2	30.0	0.12	>0.9	0.94	14.4%
15WT5 (425mA)	1	17.7	0.08	0.81	0.96	36.4%
	2	31.7	0.12	>0.9	0.94	13.4%
17WT5 (425mA)	1	21.8	0.09	>0.9	0.95	22.1%
	2	38.4	0.15	>0.9	0.93	13.6%
TUV 18W (425mA)	1	22.8	0.09	>0.9	1.11	16.7%
	2	42.4	0.16	>0.9	1.10	10.9%
21WT5 (425mA)	1	25.6	0.10	>0.9	0.97	15.6%
	2	47.5	0.18	>0.9	0.96	8.1%
TUV 36W	1	41.3	0.16	>0.9	0.93	8.6%
	2	N/A	N/A	N/A	N/A	N/A
38WT5 (425mA)	1	42.8	0.16	>0.9	0.96	<10%
	2	N/A	N/A	N/A	N/A	N/A
41WT5 (425mA)	1	46.6	0.17	>0.9	0.96	<10%
	2	N/A	N/A	N/A	N/A	N/A
GPH207T5 (425mA)	1	14.5	0.06	0.79	0.97	45%
	2	24.4	0.10	>0.9	0.98	16.2%
GPH401T5 (425mA)	1	22.2	0.09	0.89	1.0	22%
	2	40.8	0.15	>0.9	0.99	10%



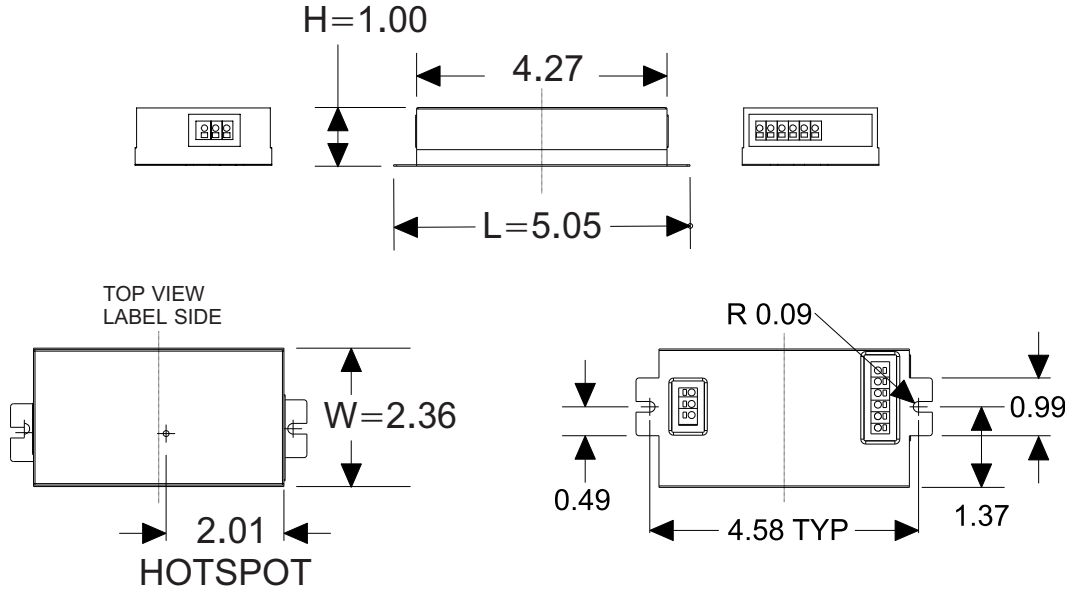
RoHS
COMPLIANT



SHS1-UNV-C-I

Mechanical Data

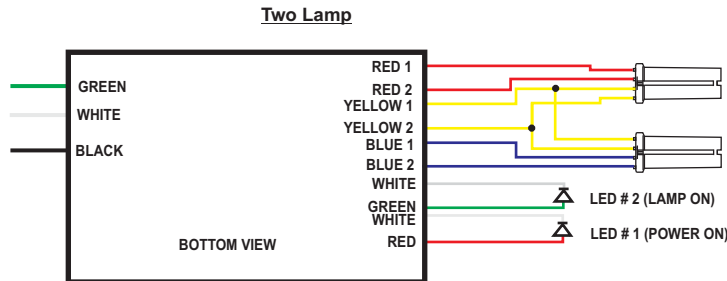
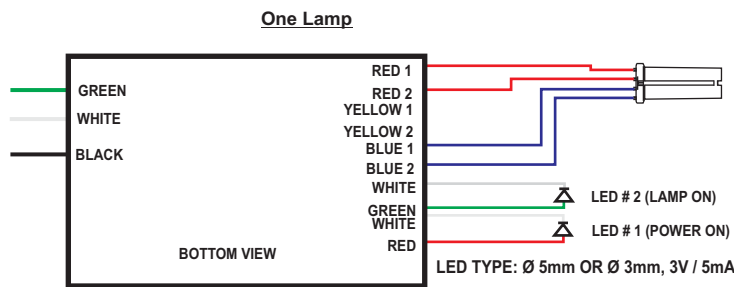
Overall Dimensions	
Length	5.05" [128.3mm]
Width	2.36" [59.95mm]
Height	1.00" [25.4mm]
Mounting	4.58" [116.34mm]



Where : L = Length, W = Width, H = Height

±0.01" Tolerance

Wiring Diagram



Note: This ballast case must be grounded

Use Wire Rated 300V, 90°C min. Use 18 AWG Solid Copper Wire Only Stripped 3/8"