

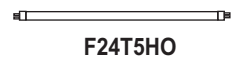
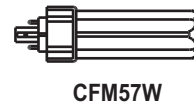
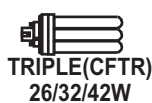
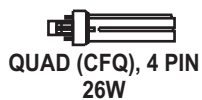
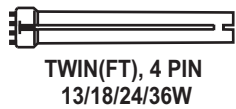
RHA-UNV-226-K

Description: This Kit contains a Universal Voltage CFL Electronic Ballast, which features Program Start, End-Of-Life Protection (EOL), Flicker-Free Operation, and Auto-Restart. Includes Ballast, Snap-on-plate, Required Wires, Wire Removing Tool, Nuts and Screws. Numerous Applications, such as retrofit down light.

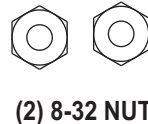
Safety, Warning and Suggestions

(1) Qualified electrician is required to install this product/s. (2) To prevent electrical shock and injury, be sure to disconnect power prior to mounting of this fixture/s. (3) All wiring and installations should meet local, state and national electrical codes. (4) Install correct lamp type and wattage.

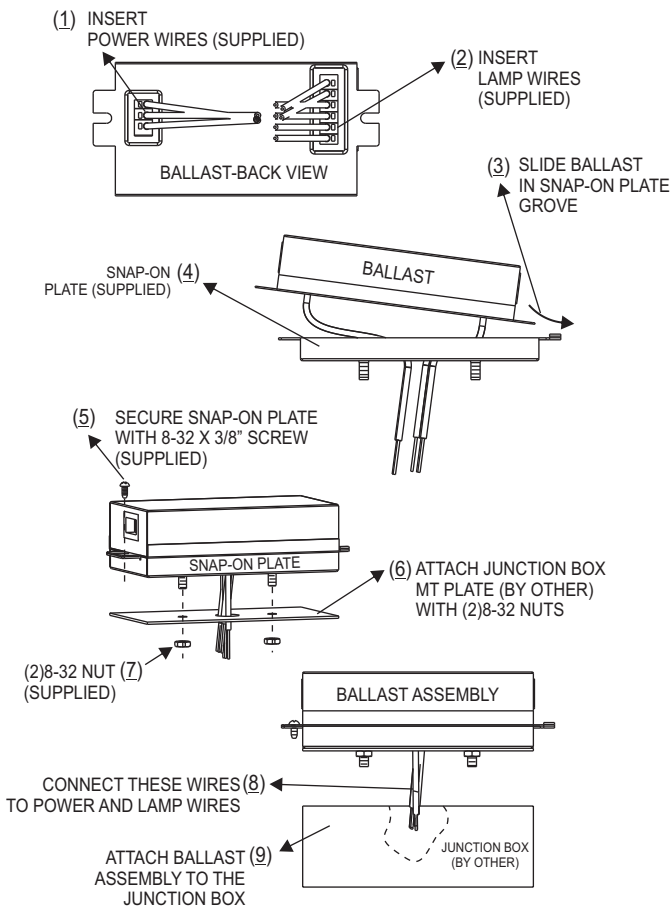
This Ballast Will Operate Following Lamps:



List Of Item Enclosed



Installation Instructions



Las Instrucciones En Español.

- 1) insertar los alambres de la energía (proveída).
- 2) insertar los alambres de la lámpara (proveída).
- 3) resbalar el lastre en arboleda.
- 4) placa snap-on (proveída)
- 5) asegurar la placa snap-on con 8-32 x 3/8 " tornillo (proveída).
- 6) unir la placa MT con la caja de ensambladura con (2) 8-32 tuercas.
- 7) (2) tuerca 8-32 (proveída).
- 8) Conecte Estos Alambres Con La Energía y Los Alambres De La Lámpara.
- 9) unir el montaje del lastre a la caja de ensambladura.

L'instruction d'installation en français

- 1) INSÉREZ LES FILS CONDUCTEUR (FOURNIS)
- 2) INSÉREZ LES FILS DE LAMPES (FOURNIS)
- 3) GLISSEZ LE BALLAST DANS LA FENTE DE LA PLQUE "SNAP-ON"
- 4) PLAQUE "SNAP-ON" (FOURNIS)
- 5) VISSEZ LA PLAQUE "SNAP-ON" AVEC DES VIS 8.32X3/8" (FOURNIS)
- 6) INSTALLEZ LA BOITE DE JONCTION A LA PLAQUE DE MONAGE AVEC DES ÉCROUS (2) 8-32
- 7) (2) ÉCROUS 8-32 (FOURNIS)
- 8) RACCORDEZ CES FILS AUX FILS CONDUCTEUR ET AUX FILS DE LAMPES

RHA-UNV-226-K

Programmed Start Fluorescent Ballast

This Ballast Will Operate Following Lamps:



TWIN(FT), 4 PIN
13/18/24/36W



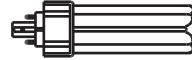
QUAD (CFQ), 4 PIN
26W



TRIPLE(CFTR)
26/32/42W



2D21/28/38W



CFM57W



CIRCLINE
T5CR22/40W



F24T5HO

General Specifications

Input Voltage	120 - 277VAC, 50 / 60Hz
Current Crest Factor	<1.7
EMI / RFI Compliance	FCC Part 18-A (Non-Consumer)
Sound Rating	"A"
Ballast Type	Programmed Start
Voltage Transients	MOV (ANSI C82.11)
Input Protection	Fuse
Output Protection	Open lamp, Shorted lamp, End-of-life
Min. Operating Temp	-30°C (-22°F)
Max. Case Temp	90°C (194°F) See warranty note
Remote Mounting	18 ft Max.
Approvals Class	UL / cUL Listed, Class "P", 1 Outdoor
Warranty	5 Years @Tc 75°C(167°F) or 3 Years @Tc 90°C (194°F) from the date of manufacture when properly installed.

Electrical Data @120VAC

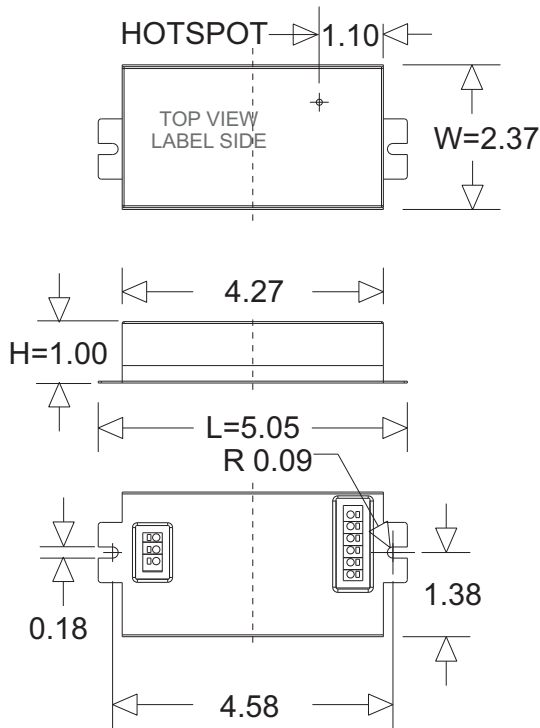
Lamp Wattage / Type	Lamps Operated	Input Wattage	Line Current	Power Factor	Ballast Factor	Efficacy Factor	THD
26CFQ	1	29	0.25	0.99	1.06	3.66	10%
26CFTR	1	28	0.23	0.99	1.06	3.80	10%
32CFTR	1	32	0.27	0.99	0.99	3.10	10%
42CFTR	1	48	0.40	0.99	0.98	2.05	10%
CFT13	1	18	0.15	0.99	1.26	7.17	10%
CFT18	1	18	0.15	0.99	1.00	5.50	10%
CFT24	1	27	0.22	0.99	1.06	3.95	10%
CFT36	1	34	0.29	0.99	0.88	2.58	10%
2D21	1	25	0.21	0.99	1.44	5.77	10%
2D28	1	33	0.28	0.99	1.27	3.78	10%
2D38	1	33	0.28	0.99	0.89	2.70	10%
F22WT5CR	1	27	0.23	0.99	1.07	3.92	10%
F40WT5CR	1	40	0.34	0.99	0.99	2.45	10%
CFM57	1	52	0.43	0.99	0.97	1.88	10%
26CFQ	2	59	0.49	0.99	1.01	1.71	10%
26CFTR	2	54	0.45	0.99	1.01	1.86	10%
CFT18	2	35	0.29	0.99	0.97	2.77	10%
CFT24	2	51	0.43	0.99	1.01	1.98	10%
CFT13	2	31	0.26	0.99	1.22	3.99	10%
2D21	2	47	0.39	0.99	1.36	2.92	10%
F24T5HO	2	51	0.43	0.99	1.01	1.97	10%

RHA-UNV-226-K

Electrical Data @277VAC

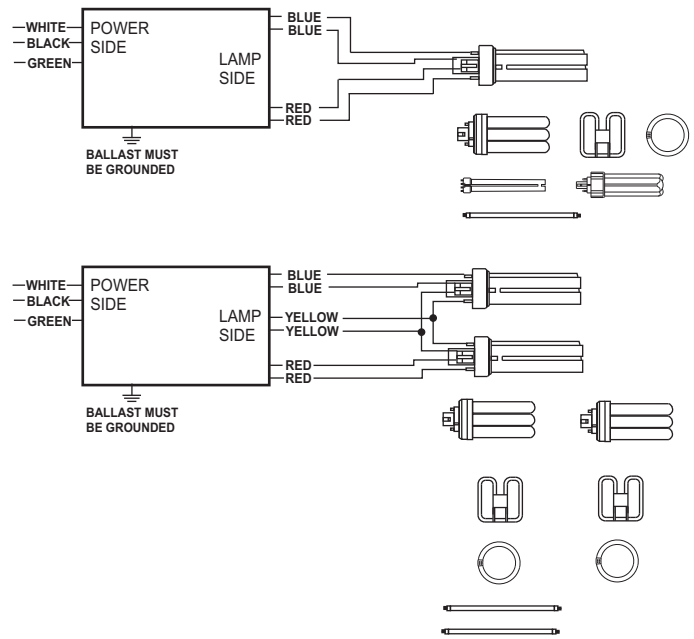
Lamp Wattage / Type	Lamps Operated	Input Wattage	Line Current	Power Factor	Ballast Factor	Efficacy Factor	THD
26CFQ	1	30	0.11	0.96	1.06	3.59	10%
26CFTR	1	28	0.10	0.95	1.06	3.83	10%
32CFTR	1	31	0.12	0.96	0.98	3.17	10%
42CFTR	1	44	0.16	0.98	0.98	2.21	10%
CFT13	1	17	0.07	0.90	1.26	1.36	10%
CFT18	1	18	0.07	0.91	1.00	5.49	10%
CFT24	1	27	0.10	0.95	1.06	3.98	10%
CFT36	1	34	0.13	0.97	0.88	2.59	10%
2D21	1	25	0.09	0.95	1.44	5.83	10%
2D28	1	33	0.12	0.97	1.26	3.83	10%
2D38	1	32	0.12	0.97	0.89	2.76	10%
F22WT5CR	1	27	0.10	0.96	1.07	3.98	10%
F40WT5CR	1	40	0.15	0.97	0.98	2.48	10%
CFM57	1	51	0.19	0.99	0.97	1.89	10%
26CFQ	2	58	0.21	0.99	1.00	1.72	10%
26CFTR	2	51	0.19	0.99	1.00	1.95	10%
CFT18	2	34	0.13	0.97	0.97	2.82	10%
CFT24	2	49	0.18	0.98	1.00	2.05	10%
CFT13	2	30	0.11	0.96	1.22	4.04	10%
2D21	2	47	0.17	0.98	1.37	2.93	10%
F24T5HO	2	50	0.18	0.99	1.00	2.00	10%

Mechanical Data



Where : L = Length, W = Width, H = Height

Wiring Diagram



Use Wire Rated 300V, 90° c min. Use 18 AWG Solid Copper Wire Only Stripped to 3/8"

NOTE : This Ballast Must Be Grounded