



FHSCP-UNV-6W-L-SD



Emergency LED Driver for Direct AC Engines

- Emergency LED Driver
- Input Voltage: 120-277VAC~, 50/60Hz
- Output Voltage: Normal: 120-277V~, 50/60Hz
- Output Voltage: Emergency: 60-230V==
- Emergency Power: 6W Max
- Emergency Output Type: Constant Power
- Single Channel Output
- May work with other LED products contact Fulham for compatibility

General Specifications

Input Voltage / Frequency	120-277V~, 50/60Hz
Input Current	Total: 0.85A Max Recharge: 65mA @120VAC, 46mA @277VAC
Input Power	Total: 100W Max Recharge: 5W Max
Output Voltage	Normal: 120-277V~, 50/60Hz Emergency: 60-230V==
Emergency Power	6W Max See Table1
Emergency Output Type	Constant Power
Number of Output Channels	1Channel
Input Surge Protection	2.5kV Ring Wave
Protections	Input Current Protection Input Surge Protection Output Open Protection Output Overload Protection Output Short Circuit Protection
RFI/EMI	FCC Part15A
ta	0°C To 50°C (32°F To 122°F)
Overall Size	9.5"L x 2.4"W x 1.49"H(241.2mm L x 61mm W x 37.9mm H)
Weight	900g / 1.98lb.
Sound Rating	A
Humidity	0%-95%
Battery Type	Ternary Lithium Battery
Battery Voltage	11.1V
Battery Capacity	2200mAH
Battery Charge Current	220mA
Battery Recharge Time	12 Hours
Battery Rating	24.4Wh
Test Switch Remote Mounting Distance	65.6' (20m) Max.
IP Rating	IP20
Service Life	50,000 hours
Warranty	5 years
Safety / Compliance	UL924, CSA C22.2No.141-10/cUL CEC Title20, MSDS, DGM



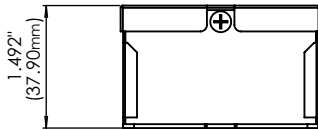
FHSCP-UNV-6W-L-SD



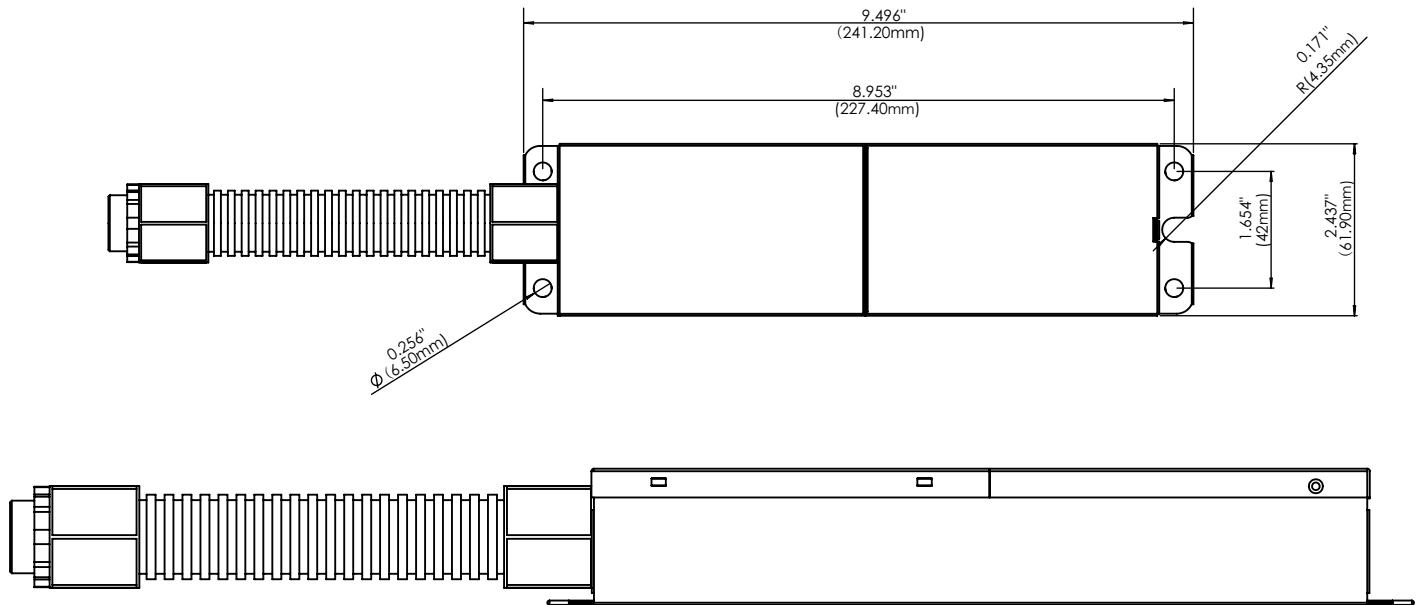
RoHS
COMPLIANT



Mechanical Data



Overall Dimensions	
Length	9.5" (241.2mm)
Width	2.4" (61mm)
Height	1.49" (37.9mm)

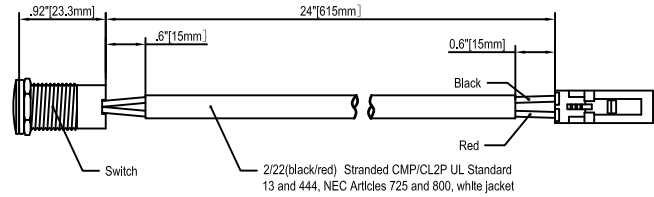


Tolerance=±0.02" (0.05mm)

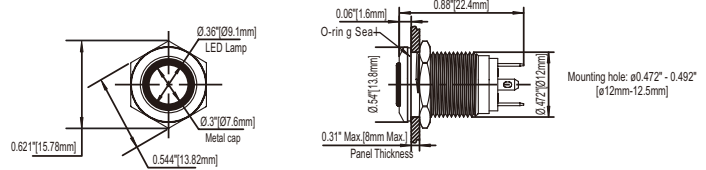


Accessories

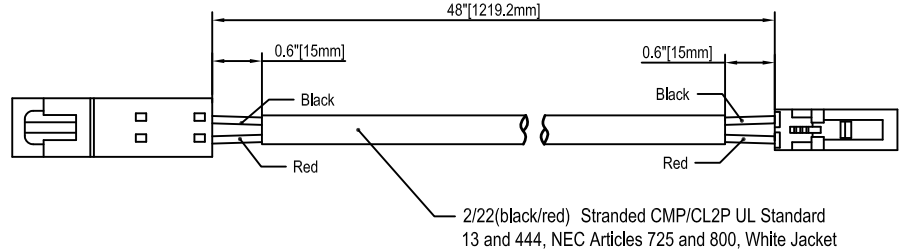
Bi-Color Wet Location Test Switch: FHS-TSTWL-BC



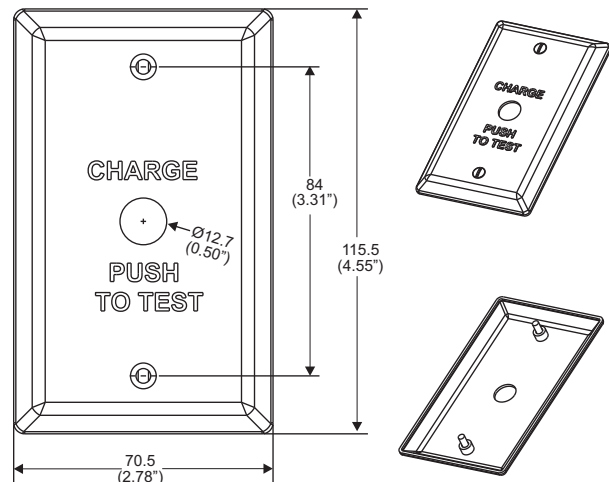
Overall Switch Dimension



Test Switch Extension: FHS-EXT-48-TST



Wall Plate: FHSWLPWH



Wall plate and screw color:
white with black lettering

1. "Charge push to Test" plate
2. (2) 6-32 x 1/2" LG mounting screws



FHSCP-UNV-6W-L-SD



TEST SWITCH INDICATOR STATUS

Indicators Type	LED Indicators Status	EM Driver Status / Mode
Bi-Color Indicator	● Solid Green	System OK / AC OK(Self-diagnostic Enabled or Disabled).
Bi-Color Indicator	● None. Both LEDs OFF	Normal working in EM mode.
Bi-Color Indicator	● Slow Flashing Red,4s on / 1s off	Battery notdetected,check battery switch or connection.
Bi-Color Indicator	● Flashing Red, 1s on / 1s off	Replace battery.
Bi-Color Indicator	● Flashing Green, 1s on / 1s off	Self-Diagnostic test underway.
Bi-Color Indicator	● Fast Flashing Red,0. 1s on / 0.1s off	Abnormal driver performance, replace driver.
Bi-Color Indicator	● Very Slow Flashing Red,1s on / 7s off	Over temperature.
Bi-Color Indicator	● Very Slow Flashing Red, 4s on / 4s off	1. LED output load is short / Over Current/Over Voltage/Open load / OCP in EM Mode. 2. Output circuit failure in EM mode.

TEST SWITCH OPERATIONS

EM Test:

Press and hold the test button (>1s) to enter EM mode in normal AC powered.

Manual Self-Diagnostic:

After charging twelve (12) hours or battery fully charged, quickly press the test button three (3) times within two (2) seconds to force the controller to enter Self-Diagnostic cycle. To quit the Self-Diagnostic cycle after engaged, press and hold the test button for ten (10) seconds.

Enable/Disable Self-Diagnostic Status:

Fast click 2 times within 2s to query the Self-Diagnostic Enabled/Disabled status. The indicator would blink for current status for 3 cycles. 2.5s ON/0.5s OFF stands for Enabled. 0.5s ON/2.5s OFF stands for Disabled.

Load Test:

When the test button is flashing red 4s on/4s OFF, press and hold the test switch for 10s, the unit will enter Self -Diagnostic mode.

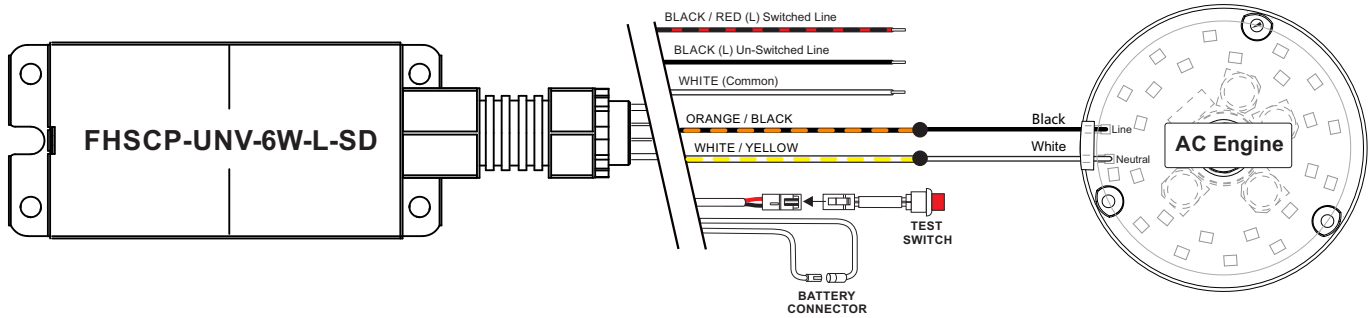


FHSCP-UNV-6W-L-SD



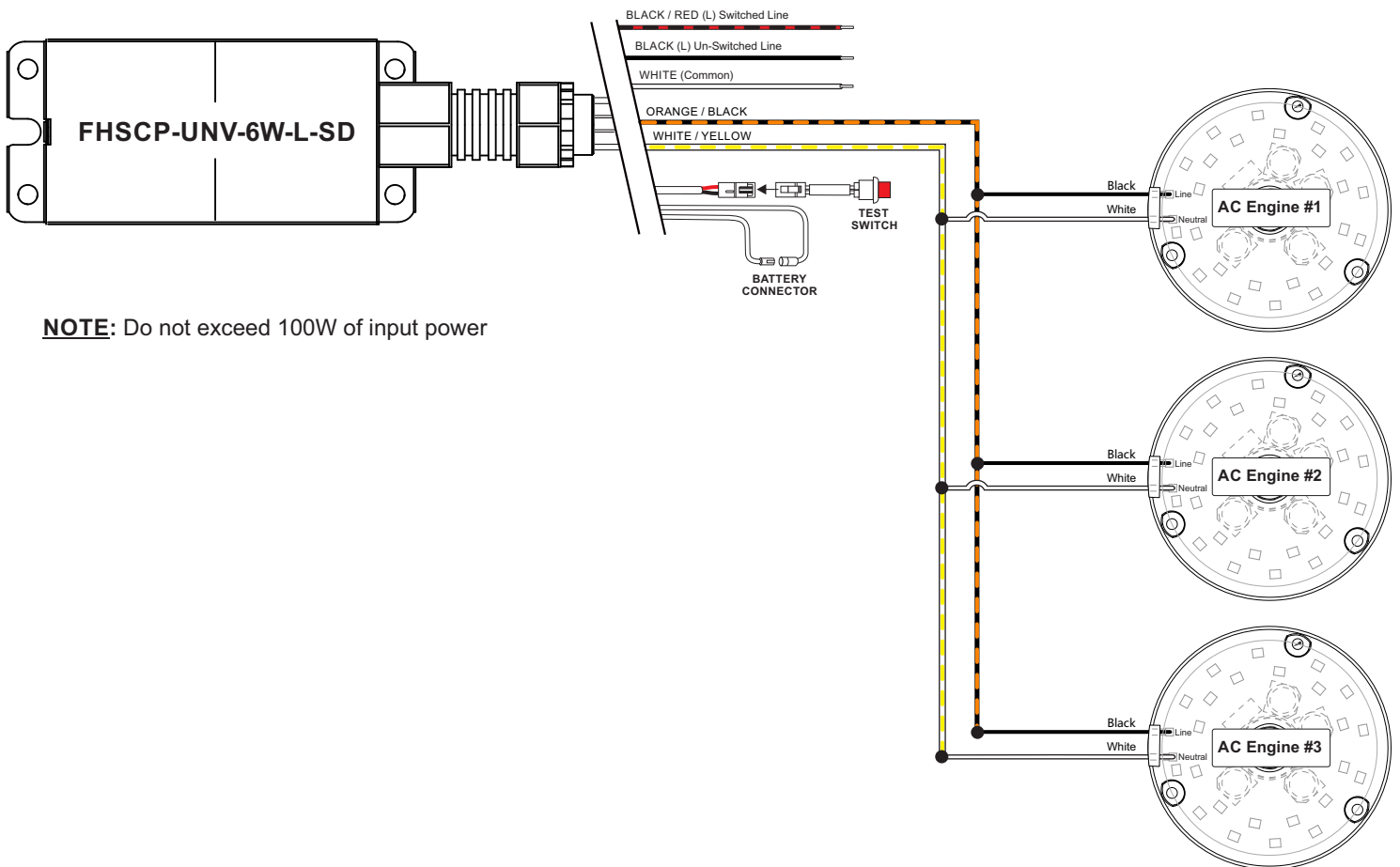
Wiring Diagram 1

Single Luminaire



Wiring Diagram 2

Multiple Luminaires



NOTE: Do not exceed 100W of input power



FHSCP-UNV-6W-L-SD



Programming:

Unless otherwise programmed the output will self-program to the maximum rating of the battery. This EM driver can be programmed using the Fulham SmartSet TPSB-100(E). Programming features include the following:

- * Output EM power can be set: 3W, 4W, 5W, 6W
- * Enable / Disable Self-Diagnostic





FHSCP-UNV-6W-L-SD



Guidelines

Grounding

- Driver must be grounded by means of the Driver case.

LED load

- Fulham's Hotspot Constant Power Emergency LED drivers are designed to drive passive LEDs, COB's and LED assemblies. Proper function is not guaranteed when (LED) loads with active components are used.

Mounting / Cooling

- Above an output power of 20W, the driver needs to be mounted on a heat conductive surface of at least 200cm². Always test if the surface is sufficient enough before installing the driver.

Short-circuit protection

- In case of a short circuit the LED driver switches to protection mode. After the removal of the short-circuit the LED driver will recover automatically.

No-load Operation

- In no-load operation the output voltage will not exceed the specified open circuit output voltage.

Hot Swapping

- This driver does not support hot swapping of the LEDs

Compatibility

- Please contact your Regional Sales Manager regarding the compatibility of this emergency driver with products/fixtures other than Fulham DirectAC Engines.

Remote Mounting

- Up to 164ft (50m) with 18AWG. Contact Fulham for higher remote distance.

Battery Maintenance

- In order to maintain proper operation and warranty coverage, the battery must be recharged once per year prior to installation.

Warranty

- Reference Fulham's limited Warranty: <https://cdn.fulham.com/PDFs/Limited-Warranty.pdf>



FHSCP-UNV-6W-L-SD



Part Number Matrix

FHS

LED Driver

FHS = FireHorse EM Driver

CP

Output Type

CP= Constant Current

UNV

Input Voltage

UNV= 120V-277V

6W

Power

6 = 6W

L

Case Type

L= Long or Linear

SD

Special Features

SD= Self Diagnostic

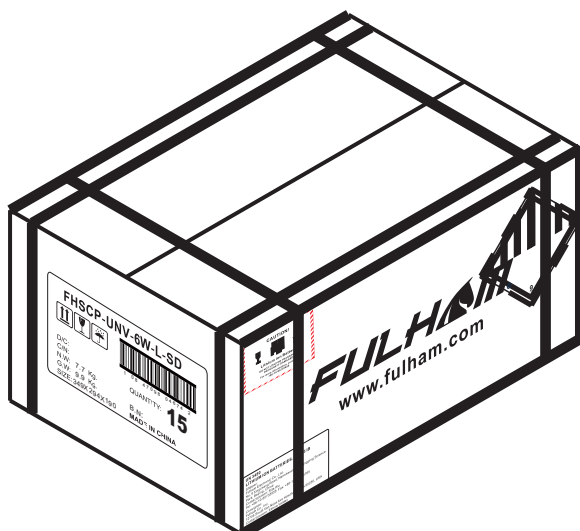
Product Image: LED Driver

FHSCP-UNV-6W-L-SD



Packaging

Master Carton



OUTER DIMENSION

L	W	H
18" (457mm)	15.11"(384mm)	12.99" (330mm)
Net Weight	Gross Weight	QUANTITY
16.98lbs. (7.7kg.)	21.83lbs. (9.9kg)	15pcs.