



FHEM12RH

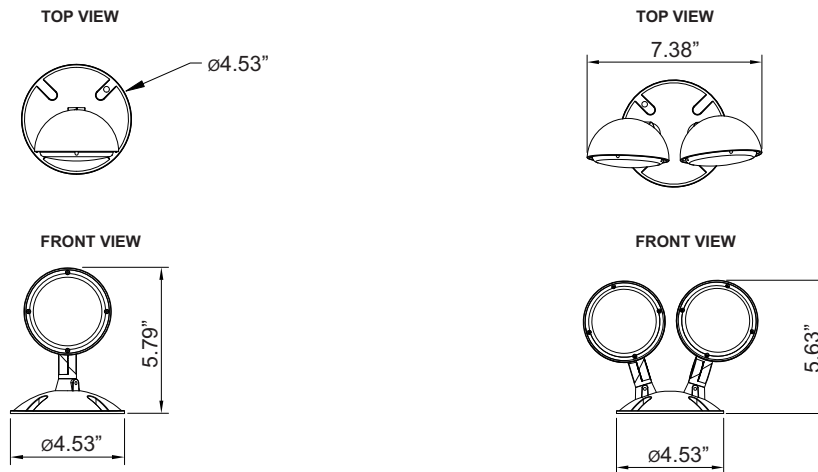
Micro Adjustable Round-Head Remote Lamps

- LED lamp for use in areas requiring remote lighting
- Single and double remote lamps
- For indoor and outdoor applications
- High impact resistant weather-proof thermoplastic housing
- Each lamp head is used as part of an emergency lighting system
- Compatible with FHEX20, FHEC33, FHEC34 and FHEX26 series ① ②
- Each lamp head is fully adjustable and glare-free
- Recommended Max Mounting Distance <20ft using 18 gauge wire *

General Specifications

	FHEM12RH13V1	FHEM12RH23V1
Input Power	1.17W	2.34W
Input Voltage	3.6V	3.6V
Number of Heads	1	2
Lumen Output	137 lumens	224 lumens
Overall Size	4.53" Dia. x 5.79" H - Single Lamp 4.53" Dia.L x 5.63" H - Double Lamp	
Emergency Operation	90 minutes	
Operating Ambient Temperature Range	-5°C - 45°C / 23°F - 113°F	
Compliance	UL 924 Listed Wet Location	
Warranty	5 years from the date of manufacture	

Mechanical Data



Part Number Matrix

FH **EM** **12** **RH** **1** **3V** **1**

FireHorse

Emergency Luminaire

Model Number

RH=Remote Head

Number of Heads
1 = 1 Head
2 = 2 Heads

Voltage
3V = 3.6Volts

Wattage Per Head
1 = 1.17W

① Compatible Series are UL Listed with Remote Heads

② All remote capable models will run two 1 head units or one 2 head unit.

* If you exceed the recommended wiring distance noticeable lumen loss will occur