



FHEM10WHU



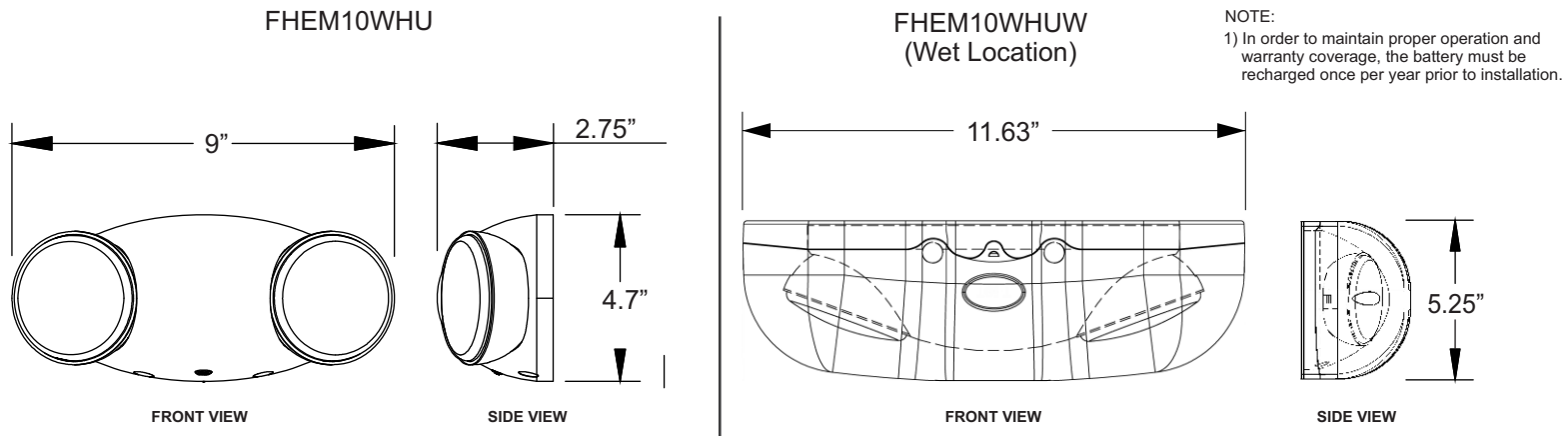
Universal Voltage Thermoplastic Micro Adjustable Emergency Lights

- Push-to-test switch
- LED charge indicator
- Ni-Cd premium battery
- Voltage 120V-277V
- Specification grade design
- Universal mount
- Long life energy saving LED light source
- Fully adjustable glare free 1.55W LED heads (1.64W heads on High Lumen model)
- Universal mounting pattern knockout in backplate for J-box mounting
- Snap fit construction speeds installation

General Specifications

Input Voltage	120-277VAC
Input Current (120V)	45.4mA
Input Current (277V)	35.5mA
Input Power (120V)	3.59W
Input Power (277V)	4.34W
Operating Frequency	60Hz
Operating Ambient Temperature Range (Ta)	0°C to 40°C / 32°F to 104°F
Max Initial Light Output	214 lumens - standard model (FHEMWHU) 197.4 lumens - wet location model (FHEMWHUW)
Overall Size	FHEM10WHU: 10" L x 4.7" H x 2.75" W FHEM10WHUW: 11.63" L x 5.25" H x 4" W
Emergency Operation	90 minutes
Compliance	UL 924 Listed Damp Location Wet Location
Warranty	5 years from the date of manufacture

Mechanical Data



Part Number Matrix

FHEM10WHU W

Options
Blank = Standard
W = Wet Location